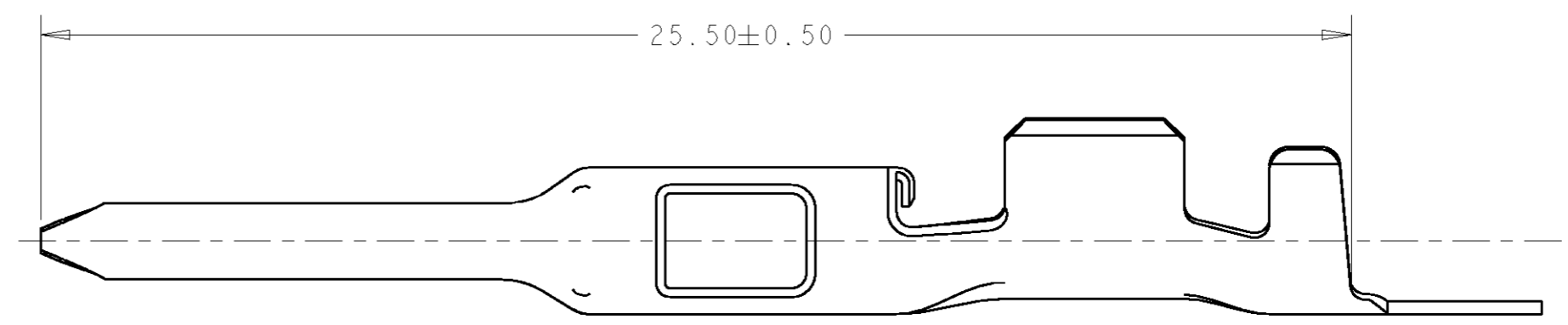
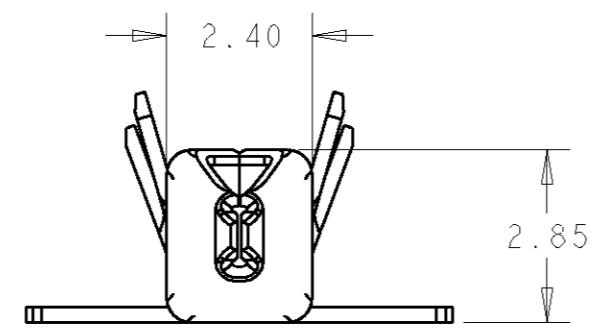
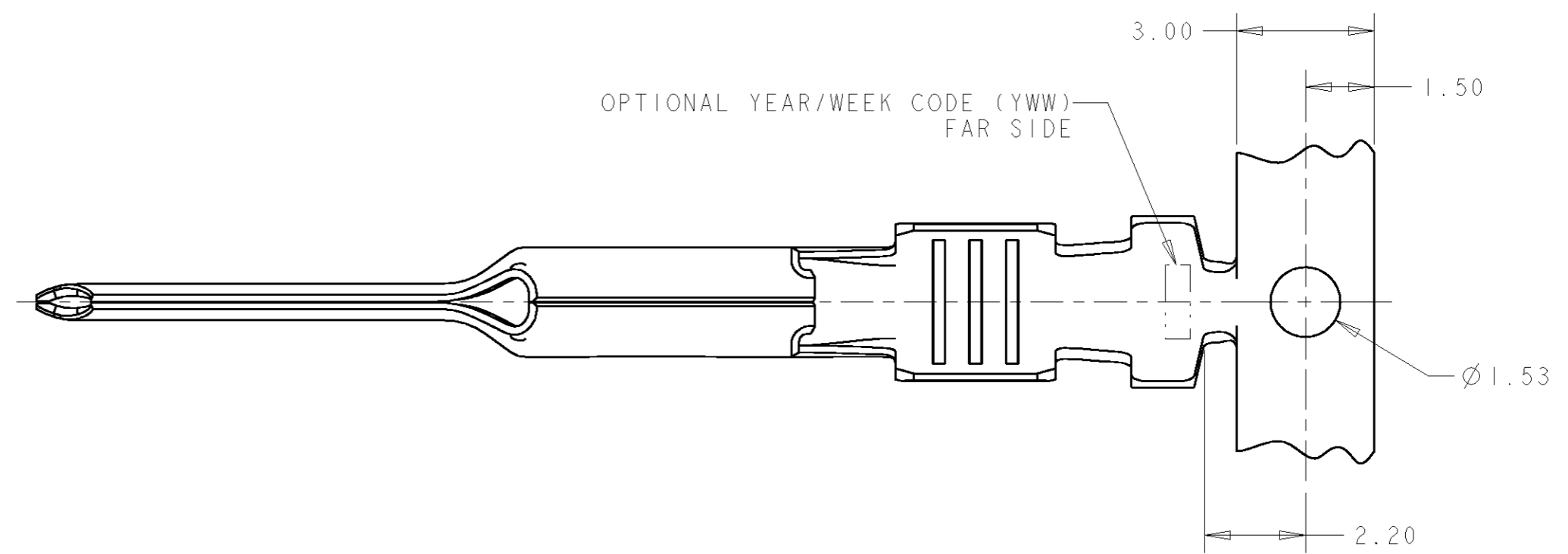
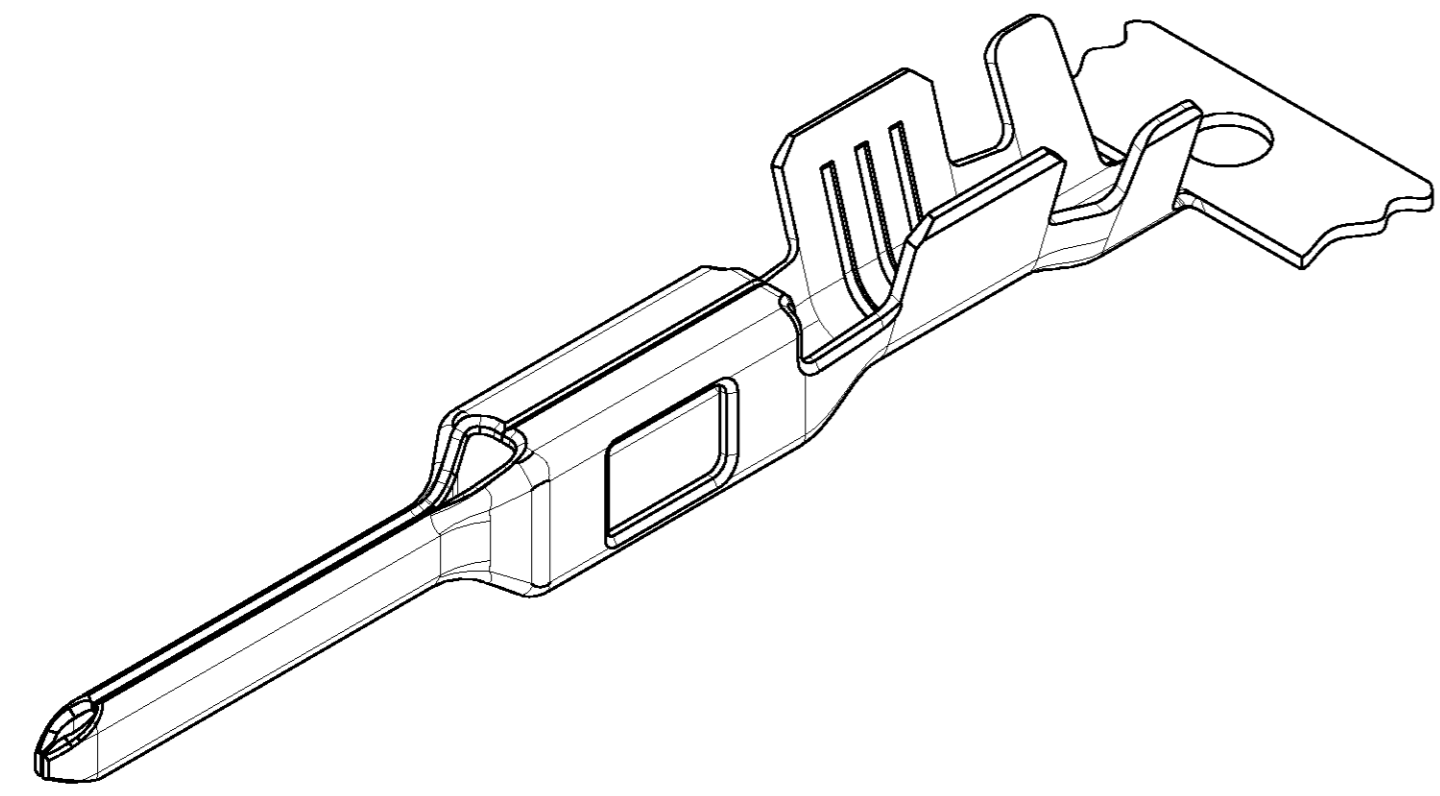


THIS DRAWING IS UNPUBLISHED. RELEASED FOR PUBLICATION 20
 © COPYRIGHT 20 BY TYCO ELECTRONICS CORPORATION. ALL RIGHTS RESERVED.

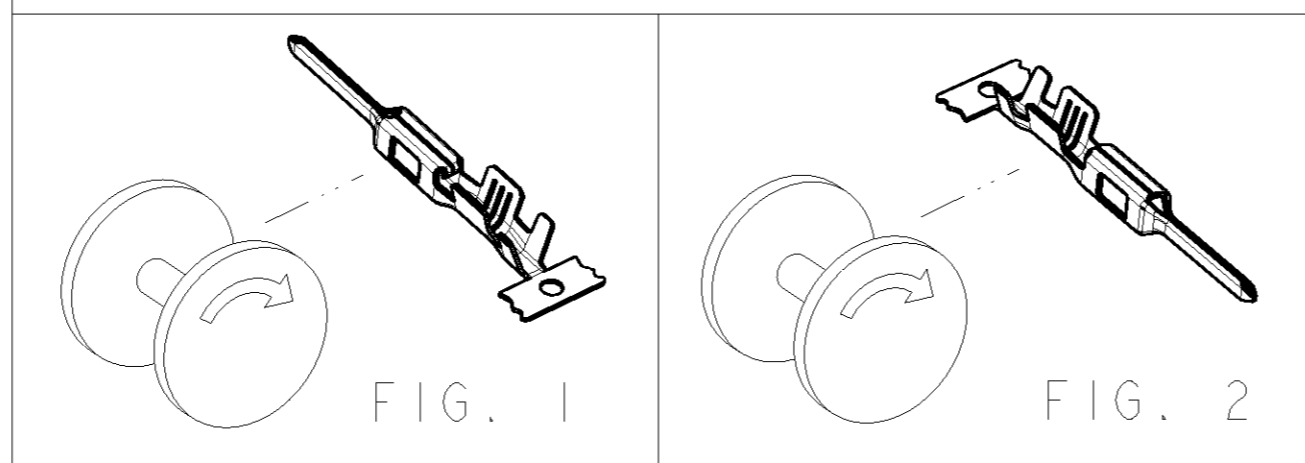
LOC	DIST	REVISIONS			
P	LTR	DESCRIPTION	DATE	DWN	APVD
		RELEASED PER EC 0K01-0014-04	13FEB2004	MFF	VMK
		REV PER EC 0K01-0057-04	16APR2004	MBH	VMK
		REV PER ECR 05-001768	14OCT2005	RGV	DHC



- 1 FINISH: PLATED 0.0004 MIN THICK TIN
- 2. PART LUBRICATED WITH HIGH TEMPERATURE ANTI-FRETTING LUBRICANT. TYCO ELECTRONICS P/N 987325-2

STATUS	REELING	FINISH	WIRE SIZE	PART NUMBER
PROPOSED	FIG. 2	1	22	1488657-6
PROPOSED	FIG. 2		18-20	1488657-5
PROPOSED	FIG. 2		14-16	1488657-4
PROPOSED	FIG. 1		22	1488657-3
RELEASED	FIG. 1		18-20	1488657-2
RELEASED	FIG. 1		14-16	1488657-1

REELING DIRECTION OFF TOP OF REEL



<small>THIS DRAWING IS A CONTROLLED DOCUMENT FOR TYCO ELECTRONICS CORPORATION. IT IS SUBJECT TO CHANGE AND THE CONTROLLING ENGINEERING ORGANIZATION SHOULD BE CONTACTED FOR THE LATEST REVISION.</small>		DWN M. HITCHCOCK CHK V. M. KANE APVD J. GUNDELMANN	14OCT2003 14OCT2003 14OCT2003	tyco Electronics Tyco Electronics Harrisburg, PA 17105-3608
DIMENSIONS: mm 	TOLERANCES UNLESS OTHERWISE SPECIFIED: 0 PLC ± 1 PLC ± 2 PLC ±0.20 3 PLC ± 4 PLC ± ANGLES ± FINISH	PRODUCT SPEC APPLICATION SPEC 114-13133 WEIGHT CUSTOMER DRAWING	NAME NEXT GENERATION 1.50mm MALE TERMINAL	SIZE A2 CAGE CODE 00779 DRAWING NO. 1488657 RESTRICTED TO SCALE 8:1 SHEET 1 OF 1 REV B

X-ON Electronics

Largest Supplier of Electrical and Electronic Components

Click to view similar products for [Terminals](#) category:

Click to view products by [TE Connectivity](#) manufacturer:

Other Similar products are found below :

[HT-13-10](#) [71M-250-32-NB](#) [01-2065-1-0216](#) [00581P0075](#) [M10-10RX](#) [M10BCK](#) [60205-1](#) [604200-1](#) [60598-1-CUT-TAPE](#) [60617-1-C](#) [60873-1](#) [M14-516R/SK](#) [M14-6RSX](#) [M18-8FBX](#) [M18-8R/LX](#) [M18BCK](#) [61314-6-C](#) [61-S](#) [61-SN-A](#) [62-NBM-A](#) [63-S](#) [640179-1](#) [640917-2-CUT-TAPE](#) [6501550002](#) [66107-2-C](#) [696683-1](#) [696834-1](#) [696861-1](#) [696931-1](#) [696999-1](#) [M8-516RK](#) [M86700006](#) [MA250DMFMX-A](#) [701-2007](#) [701-2307](#) [701-7761-03](#) [70F-110-32-PB](#) [718-N-A](#) [71M-187-20-NBL](#) [71M-250-32-NBL](#) [72F-187-20-NBL](#) [72M-250-32-NBL](#) [7310](#) [73F-250-32](#) [73F-250-32-NL](#) [F14-10C](#) [F-1M](#) [751-250](#) [76650-5002](#) [76828-149](#)