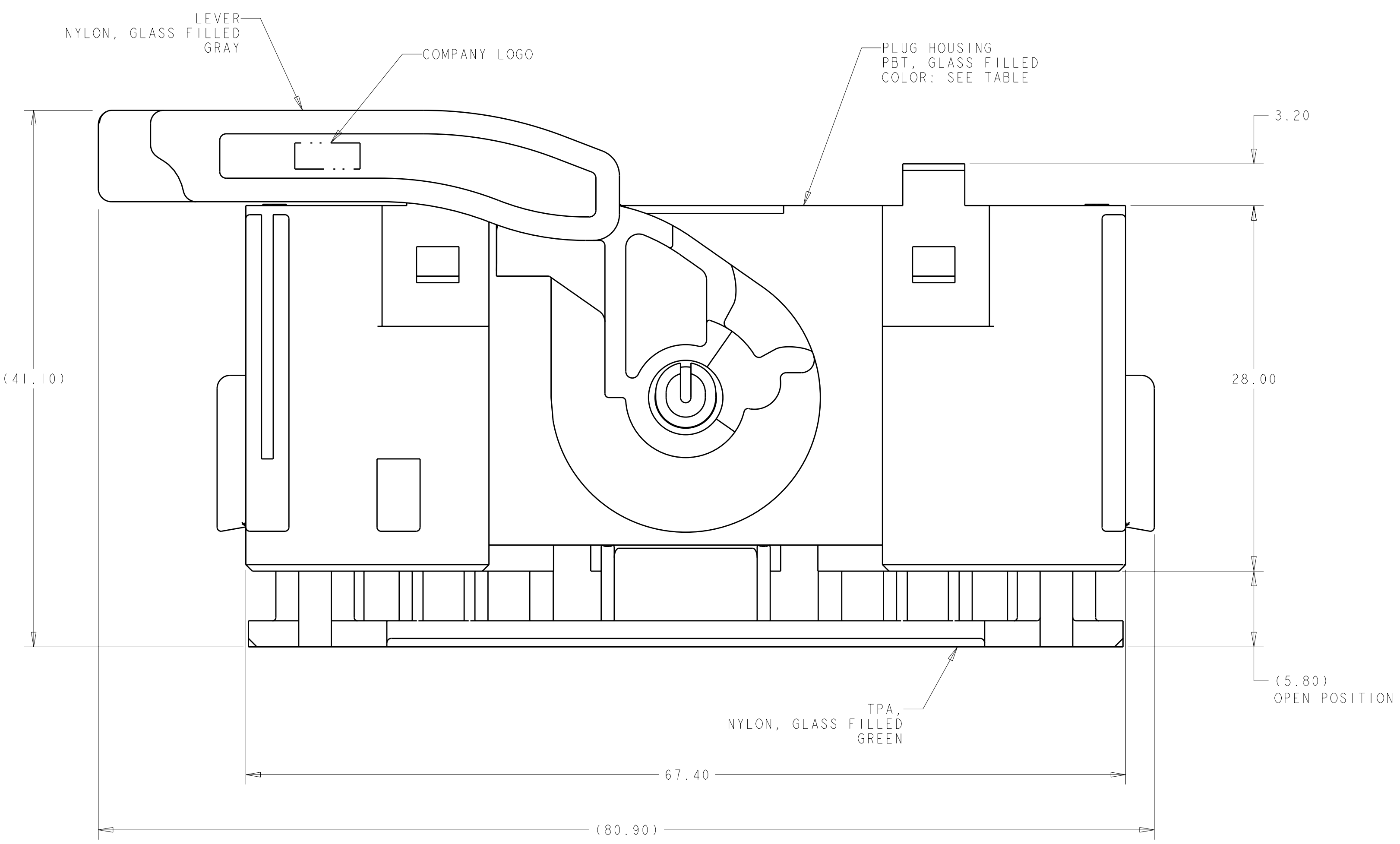
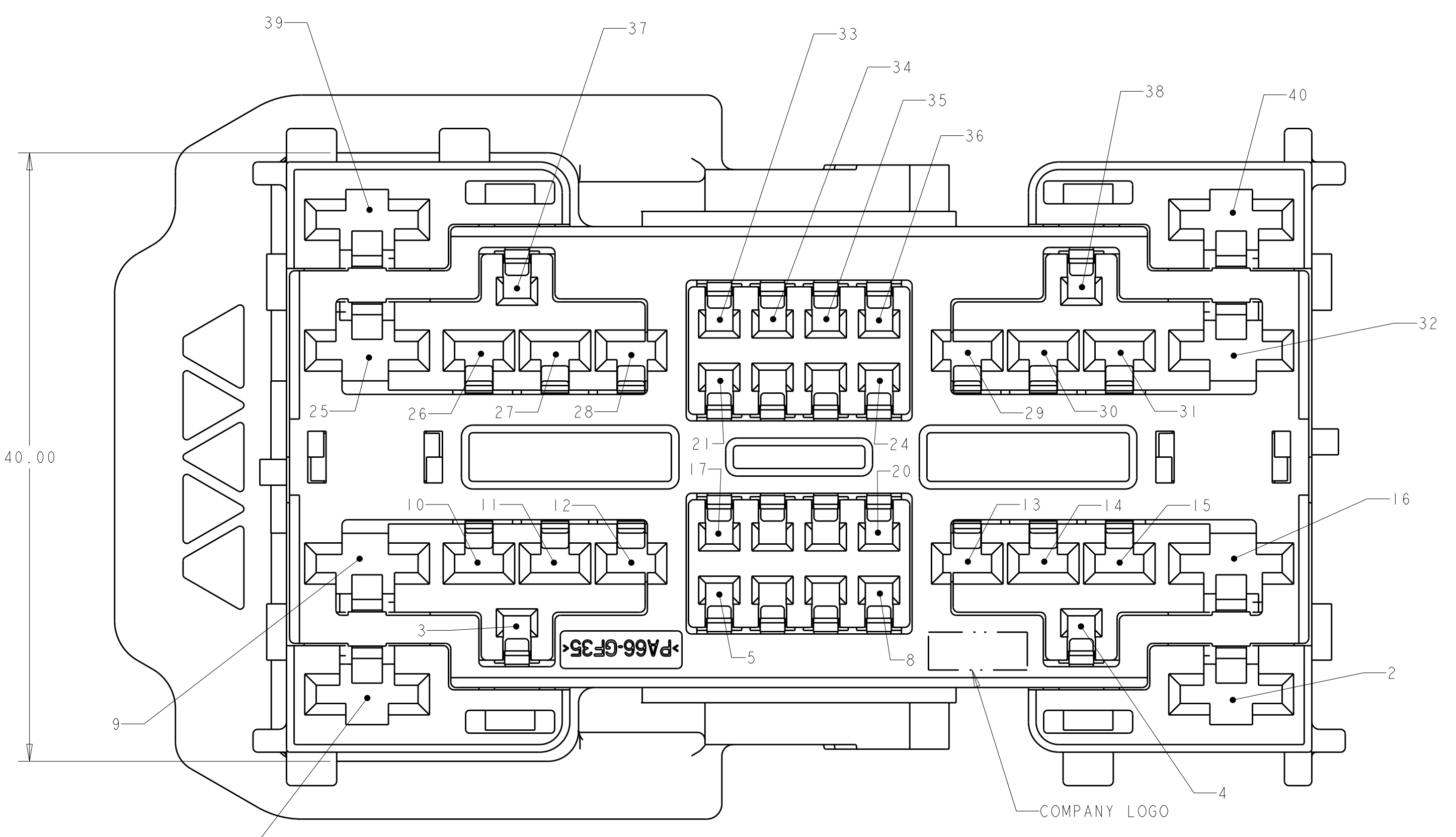


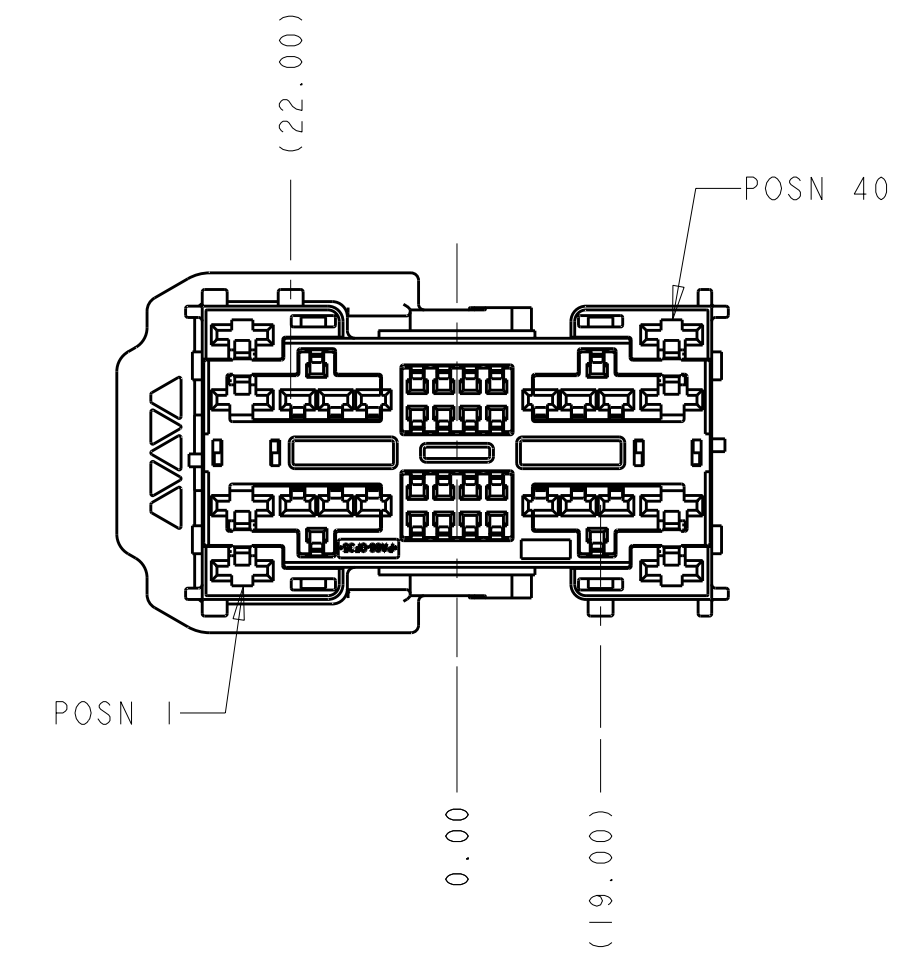
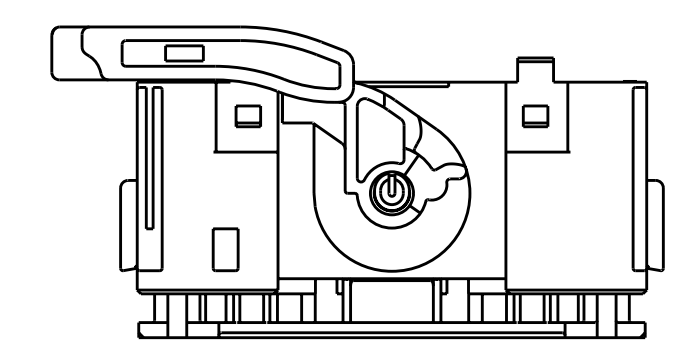
LOC		DIST		REVISIONS			
GE	00	P	LTR	DESCRIPTION	DATE	DWN	APVD
		C2		REVISED PER ECO-10-017186	27DEC2010	DLD	SLM



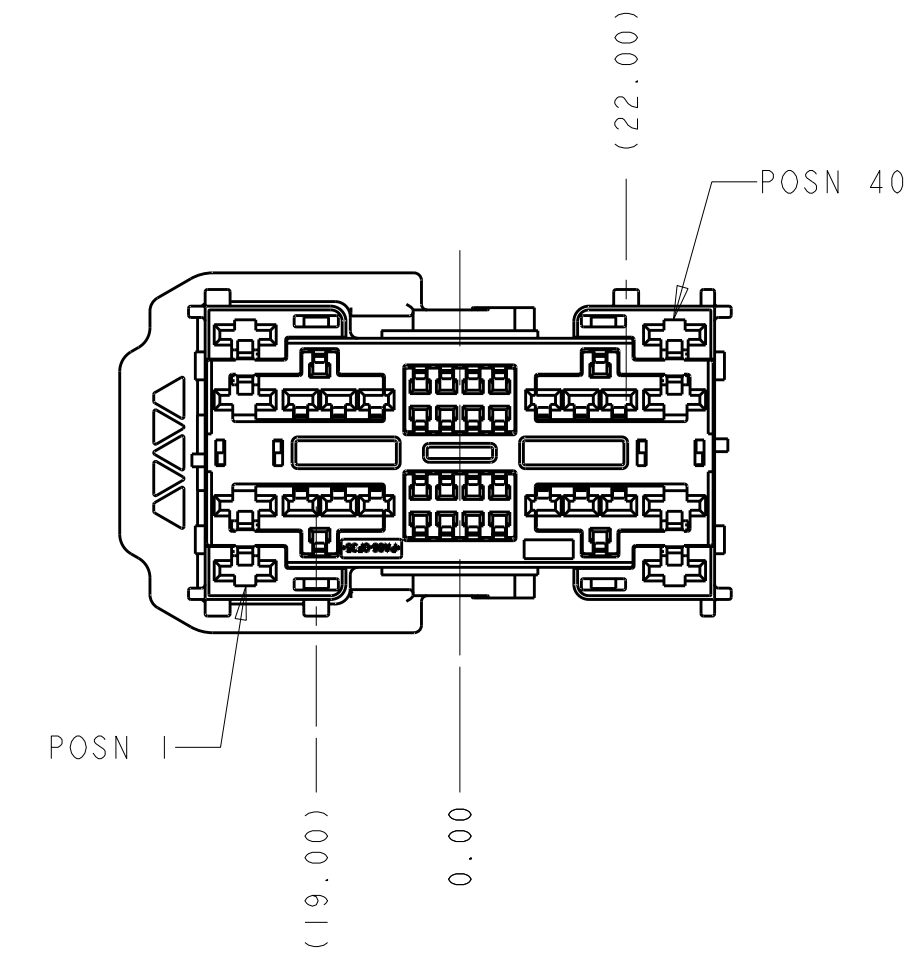
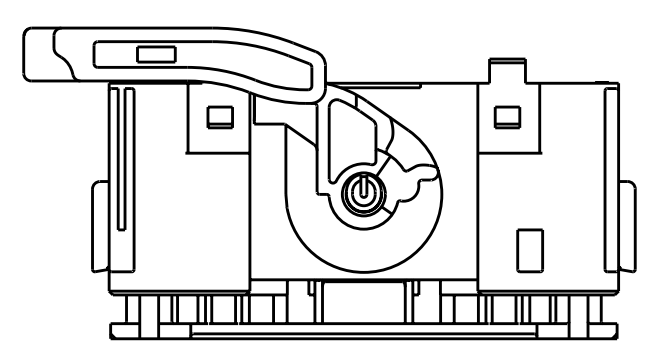
1. WIRE COVER, TYCO ELECTRONICS PART NUMBER 1488539 OR 1488540, MUST BE PURCHASED SEPERATELY.
 2. FOR ASSEMBLY INSTRUCTIONS, SEE TYCO ELECTRONICS INSTRUCTION SHEET 408-8768.
 3. FOR MATING AND UNMATING INSTRUCTIONS, SEE TYCO ELECTRONICS INSTRUCTION SHEET 408-8769.
 4. FOR INFORMATION ON THE MATING PART, SEE TYCO ELECTRONICS CUSTOMER DRAWING NUMBER 1488325.
- △ ADDITIONAL CIRCUIT NUMBER CALLOUTS ARE SHOWN ON DRAWING FOR CLARIFICATION ONLY AND DO NOT APPEAR ON ACTUAL CONNECTOR HOUSING.



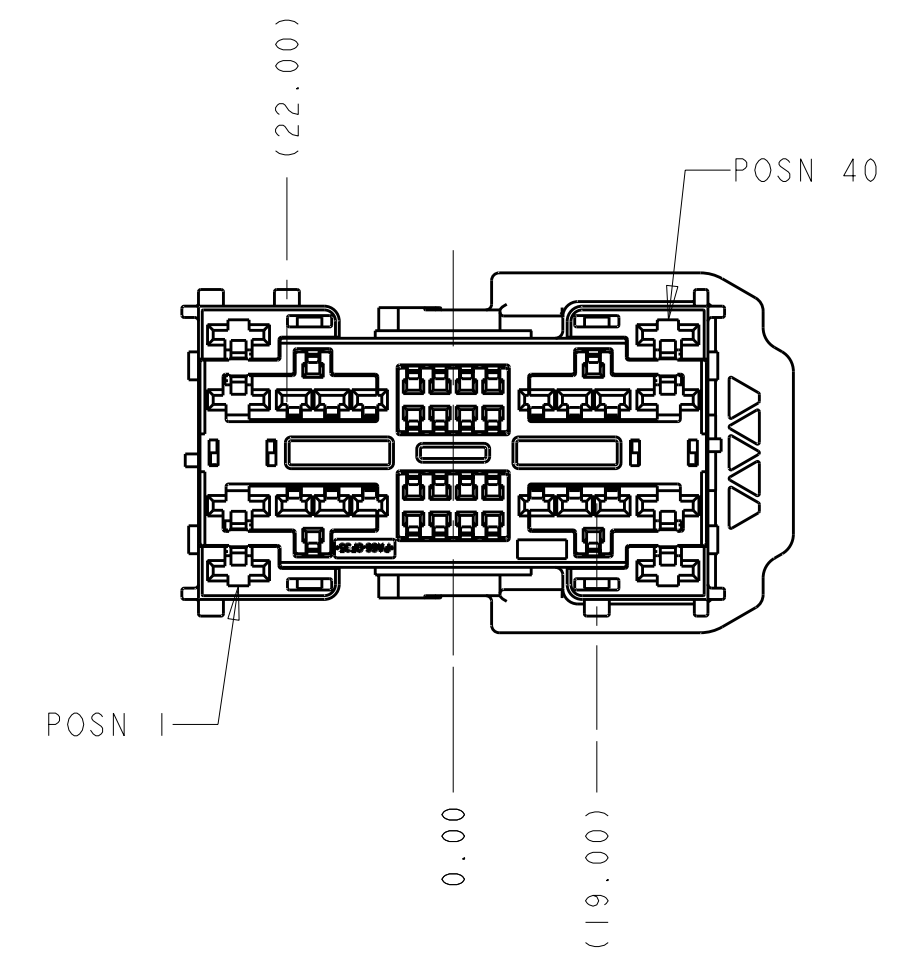
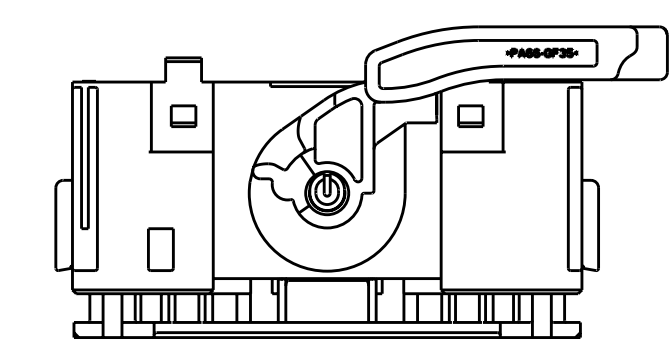
LOC	DIST	REV	DATE	BY	APPD
GE	00				
		REVISIONS			



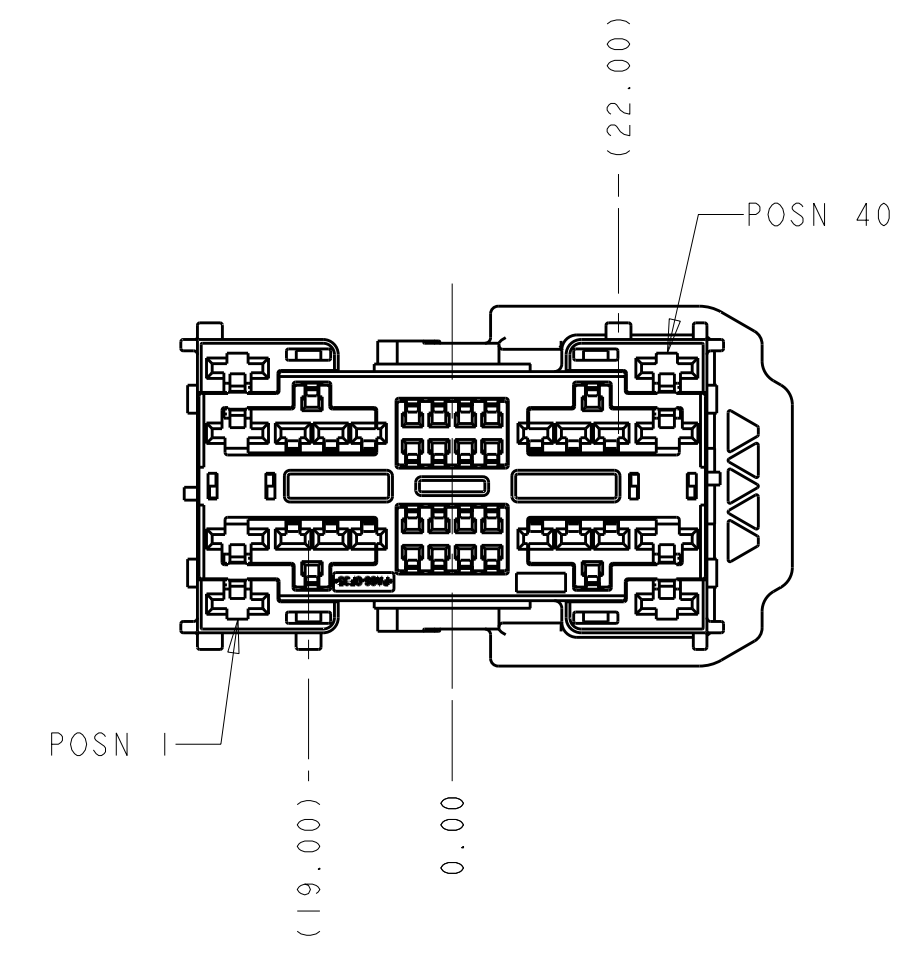
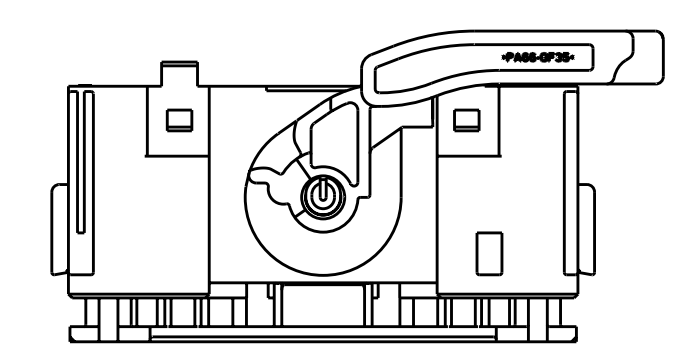
1488846-1
 KEYING CODE: A
 LEVER ORIENTATION: LEFT
 PLUG HOUSING COLOR: BLACK
 SCALE 1:1



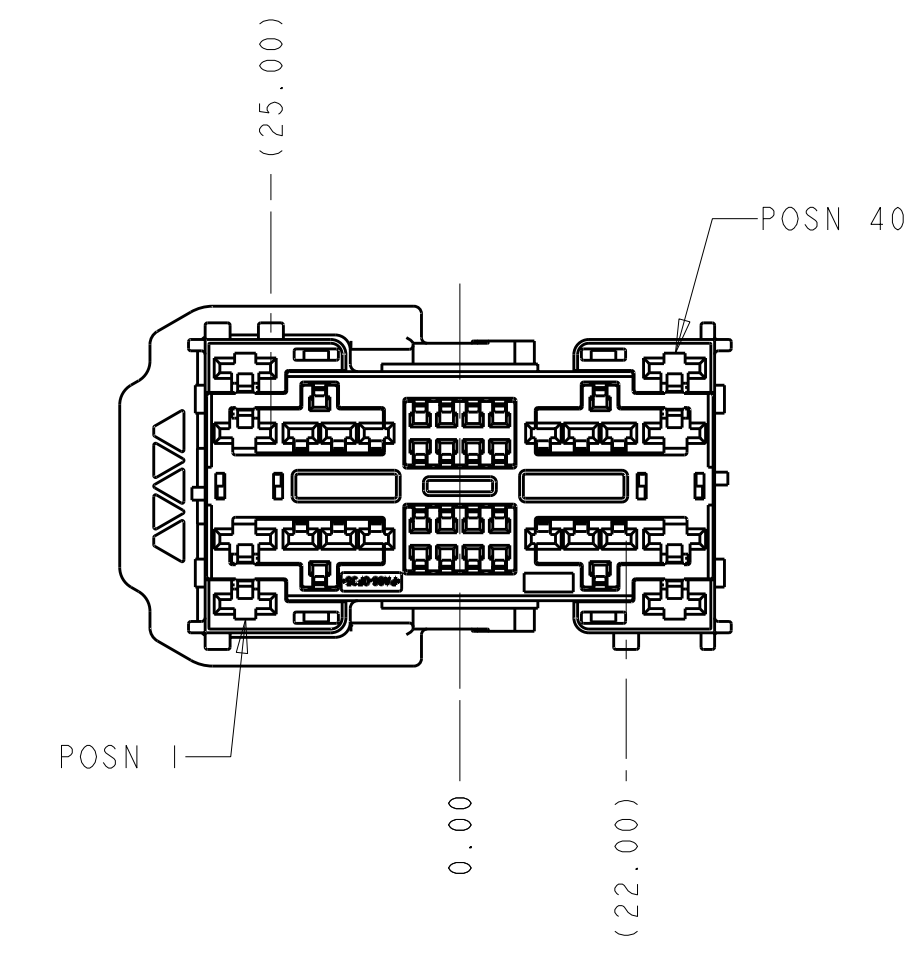
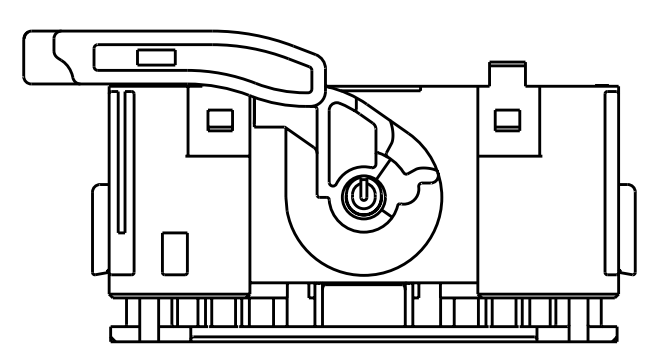
1488846-2
 KEYING CODE: B
 LEVER ORIENTATION: LEFT
 PLUG HOUSING COLOR: GRAY
 SCALE 1:1



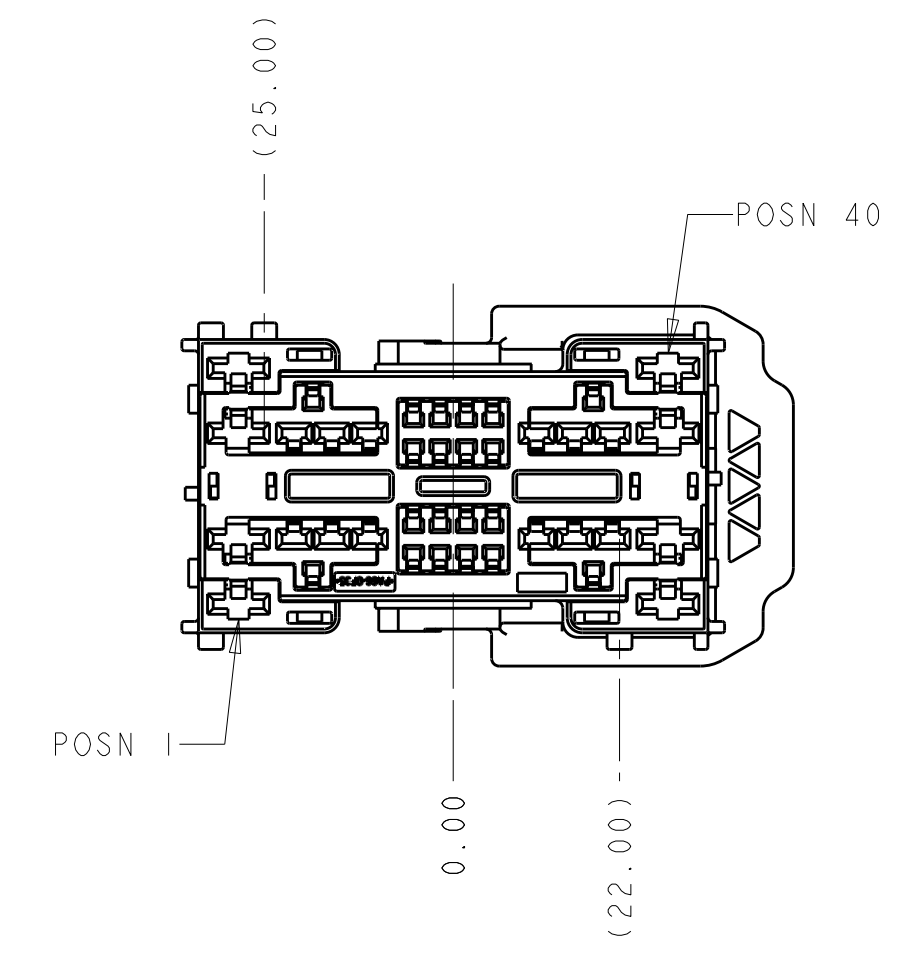
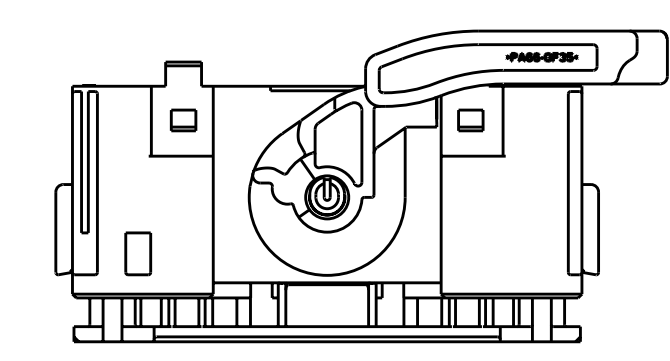
1488846-3
 KEYING CODE: A
 LEVER ORIENTATION: RIGHT
 PLUG HOUSING COLOR: BLACK
 SCALE 1:1



1488846-4
 KEYING CODE: B
 LEVER ORIENTATION: RIGHT
 PLUG HOUSING COLOR: GRAY
 SCALE 1:1



1488846-5
 KEYING CODE: C
 LEVER ORIENTATION: LEFT
 PLUG HOUSING COLOR: BROWN
 SCALE 1:1



1488846-6
 KEYING CODE: C
 LEVER ORIENTATION: RIGHT
 PLUG HOUSING COLOR: BROWN
 SCALE 1:1

VIEWS FOR LEVER ORIENTATION, KEYING CODE ARRANGEMENT, AND PLUG HOUSING COLOR

<small>THIS DRAWING IS UNPUBLISHED. RELEASED FOR PUBLICATION BY TYCO ELECTRONICS CORPORATION. IT IS SUBJECT TO CHANGE WITHOUT NOTICE AND WITHOUT OBLIGATION. SHOULD BE CONTACTED FOR THE LATEST REVISION.</small>		DWN: D. AHERON CHK: JOSEPH2003 APVD: GALEN MARTIN PRODUCT SPEC: - APPLICATION SPEC: - WEIGHT: - CUSTOMER DRAWING: -	Tyco Electronics Harrisburg, PA 17105-3608 NAME: PLUG ASSEMBLY, 40 POSITION, FOR 1.5, 2.8, 6.35 CONTACT SIZES, HYBRID SIZE: A CAGE CODE: 00779 DRAWING NO: C-1488846 SCALE: 4:1 SHEET: 2 OF 2 REV: C2
DIMENSIONS: mm TOLERANCES UNLESS OTHERWISE SPECIFIED: 9 PLC ± 1 PLC ±0.50 3 PLC ± 4 PLC ± ANGLES ± FINISH: - SEE CALL OUT: -	TOLERANCES UNLESS OTHERWISE SPECIFIED: 9 PLC ± 1 PLC ±0.50 3 PLC ± 4 PLC ± ANGLES ± FINISH: - SEE CALL OUT: -	DWN: D. AHERON CHK: JOSEPH2003 APVD: GALEN MARTIN PRODUCT SPEC: - APPLICATION SPEC: - WEIGHT: - CUSTOMER DRAWING: -	Tyco Electronics Harrisburg, PA 17105-3608 NAME: PLUG ASSEMBLY, 40 POSITION, FOR 1.5, 2.8, 6.35 CONTACT SIZES, HYBRID SIZE: A CAGE CODE: 00779 DRAWING NO: C-1488846 SCALE: 4:1 SHEET: 2 OF 2 REV: C2

X-ON Electronics

Largest Supplier of Electrical and Electronic Components

Click to view similar products for [Heavy Duty Power Connectors](#) category:

Click to view products by [TE Connectivity](#) manufacturer:

Other Similar products are found below :

[647757-1](#) [6643411-1](#) [6646058-2](#) [6646137-1](#) [6646138-1](#) [6646608-1](#) [6646786-1](#) [6646940-1](#) [6651091-1](#) [6651525-1](#) [6651529-1](#) [6651788-1](#)
[696475-1](#) [702-32-01109](#) [703-25-02205](#) [73000005059](#) [73000005642](#) [73080254296](#) [73080255059](#) [73080965046](#) [765-15-0080A](#)
[765-16-0080B](#) [765-18-0080D](#) [902-77-02113](#) [PS00/A0620/6300](#) [1221200000](#) [129-1J](#) [1409400](#) [E6374G1](#) [e6389g2](#) [157-43GW8](#) [MS3117-](#)
[14AC](#) [1643543-1](#) [1650540-1](#) [1651811-2](#) [1766260-1](#) [1766282-1](#) [1766966-1](#) [1791340000](#) [NLDFT-3-BL-L-S120-M40A](#) [NLDFT-N-W-L-](#)
[C240-M40B](#) [1926015-1](#) [NLS-N-W-C240-M40B](#) [2-1589900-8](#) [2199314-1](#) [KA8102](#) [9300480317](#) [29131](#) [294-0091-01100](#) [296-0040-01100](#)