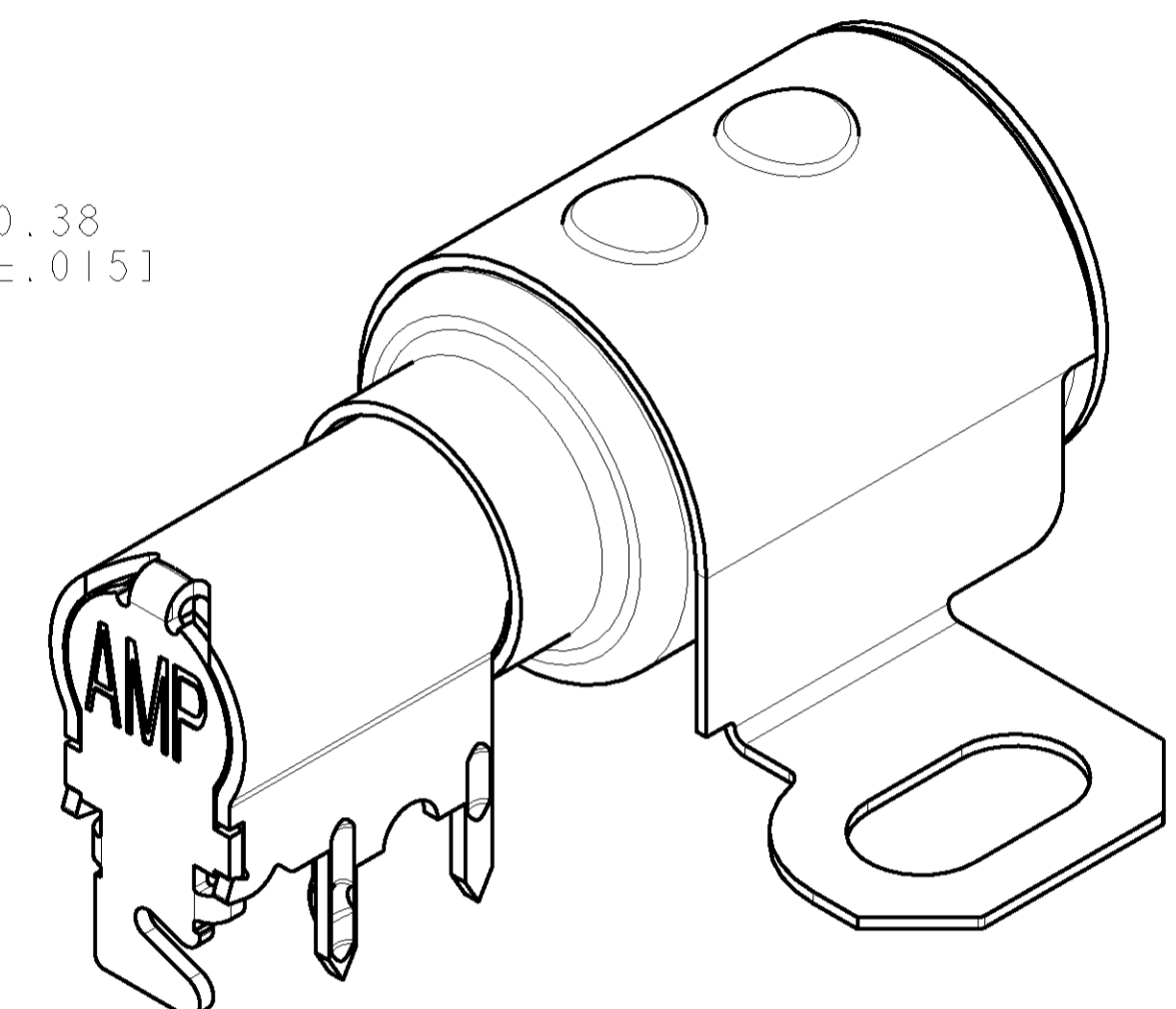
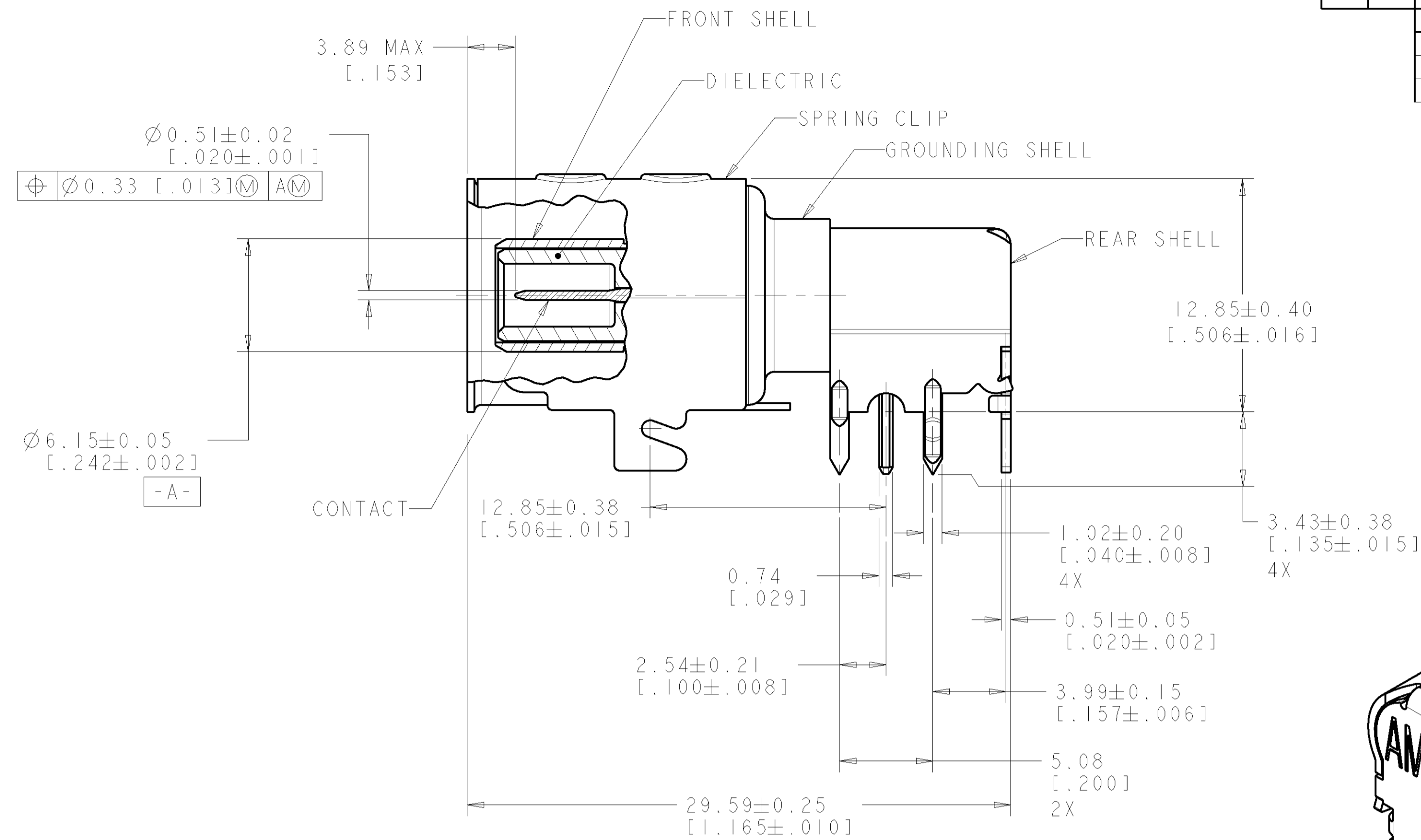
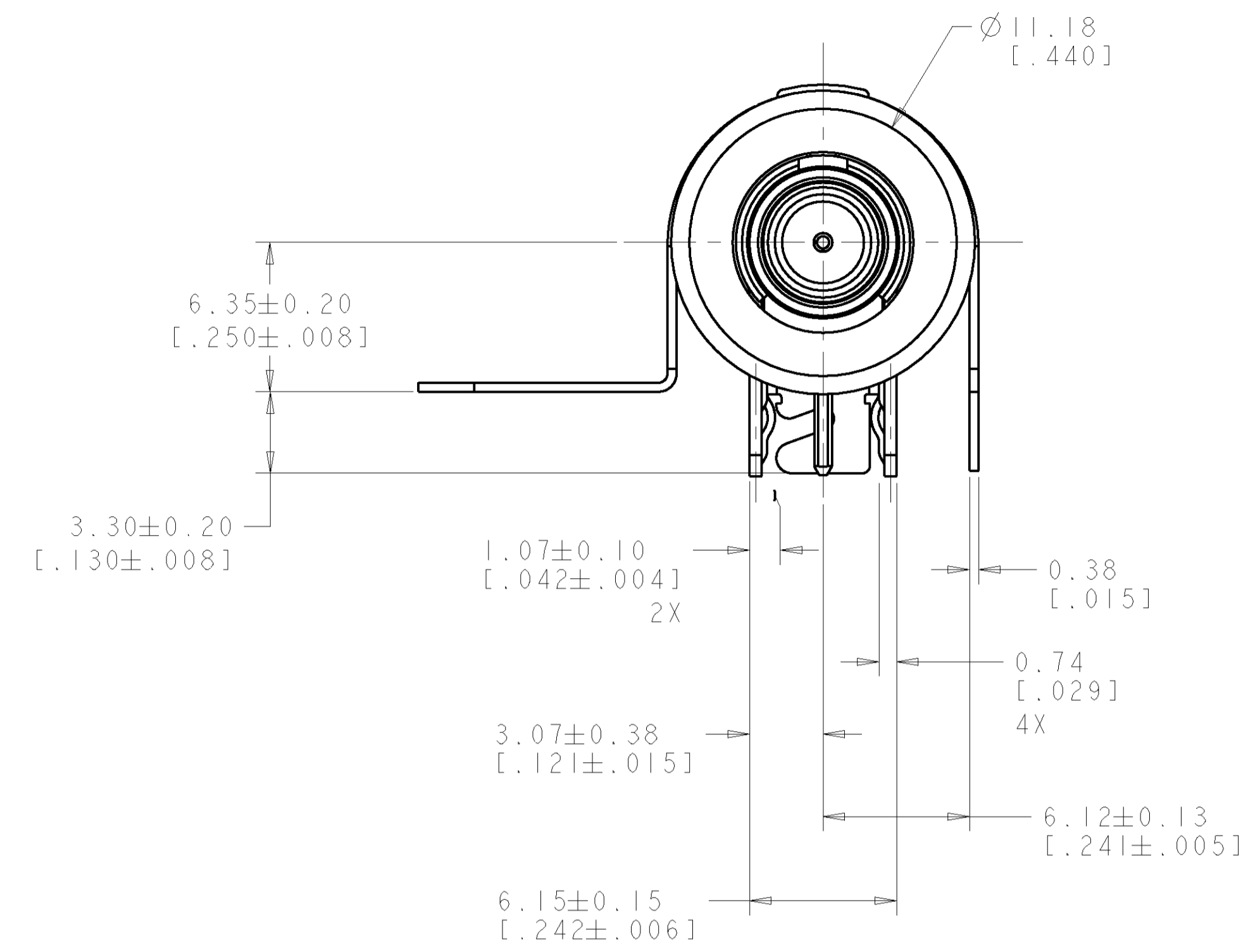
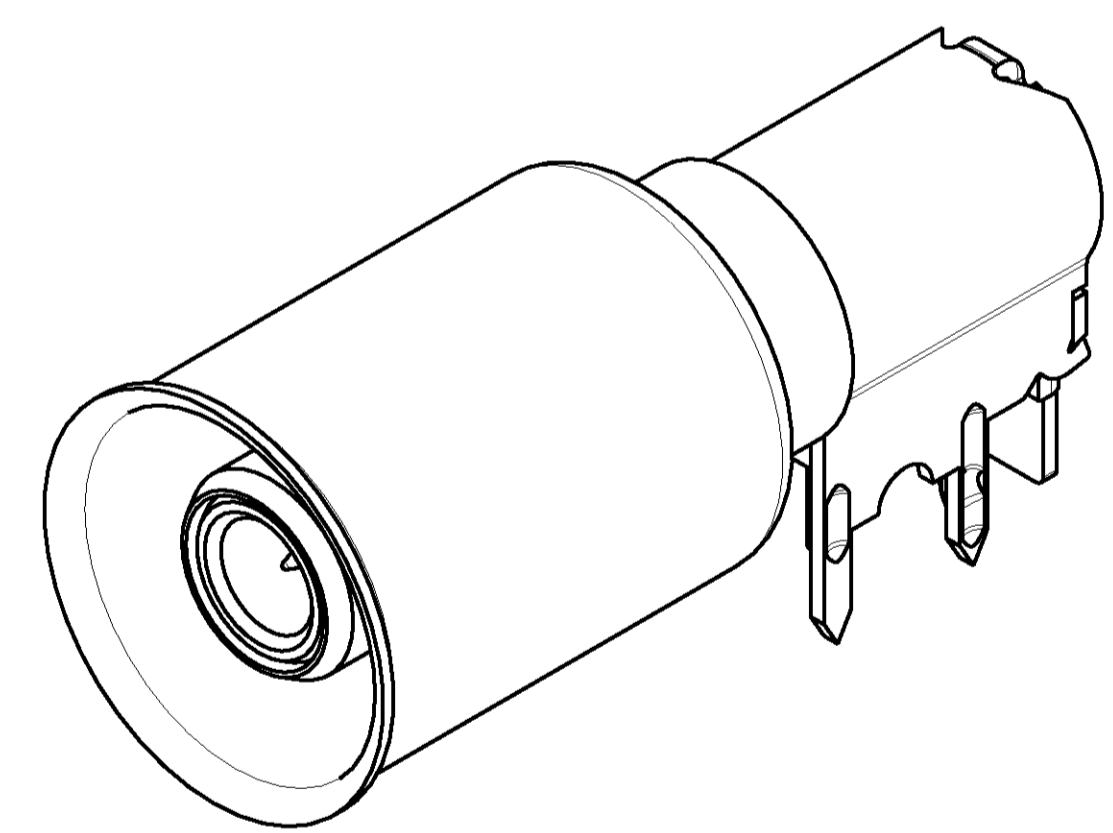
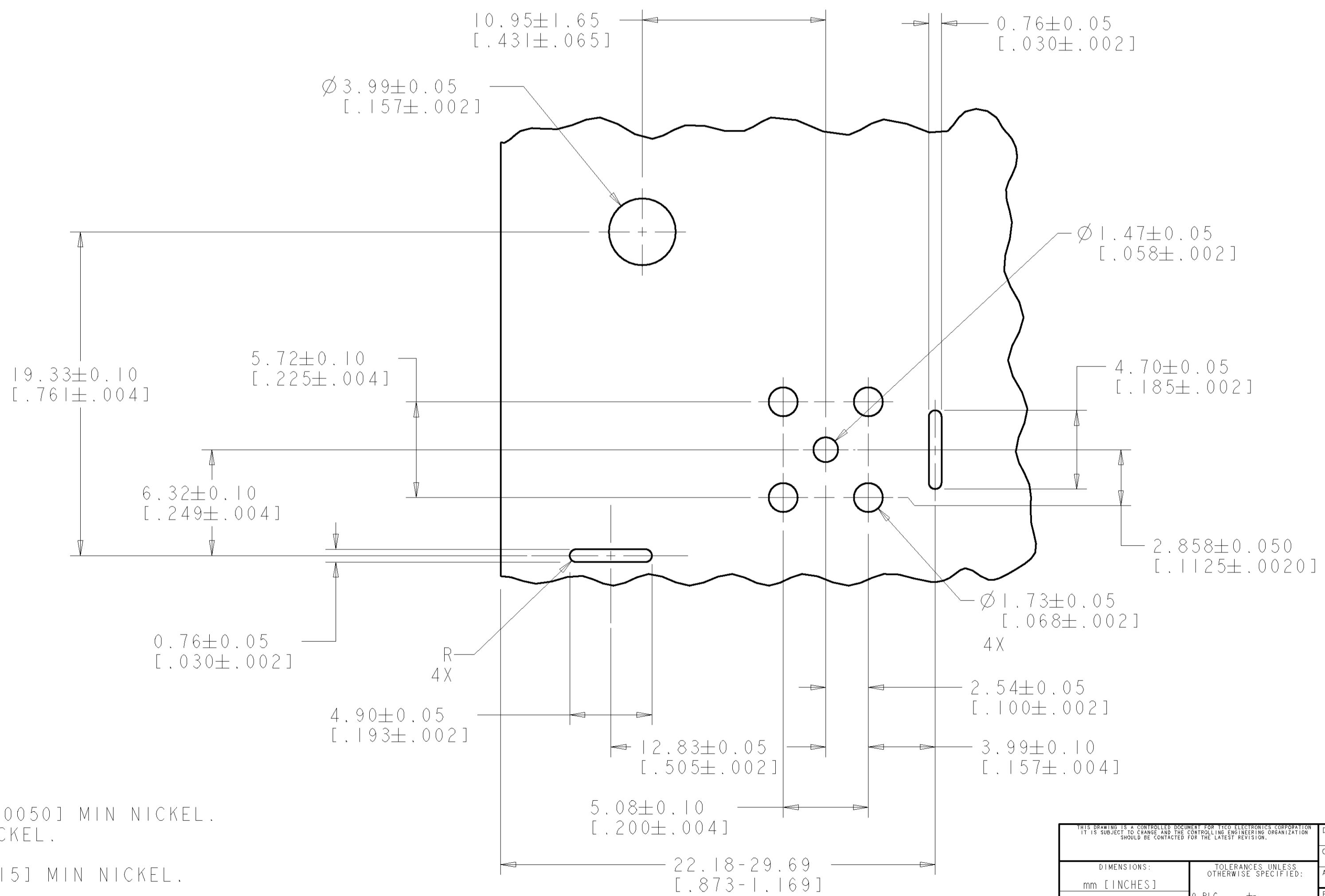
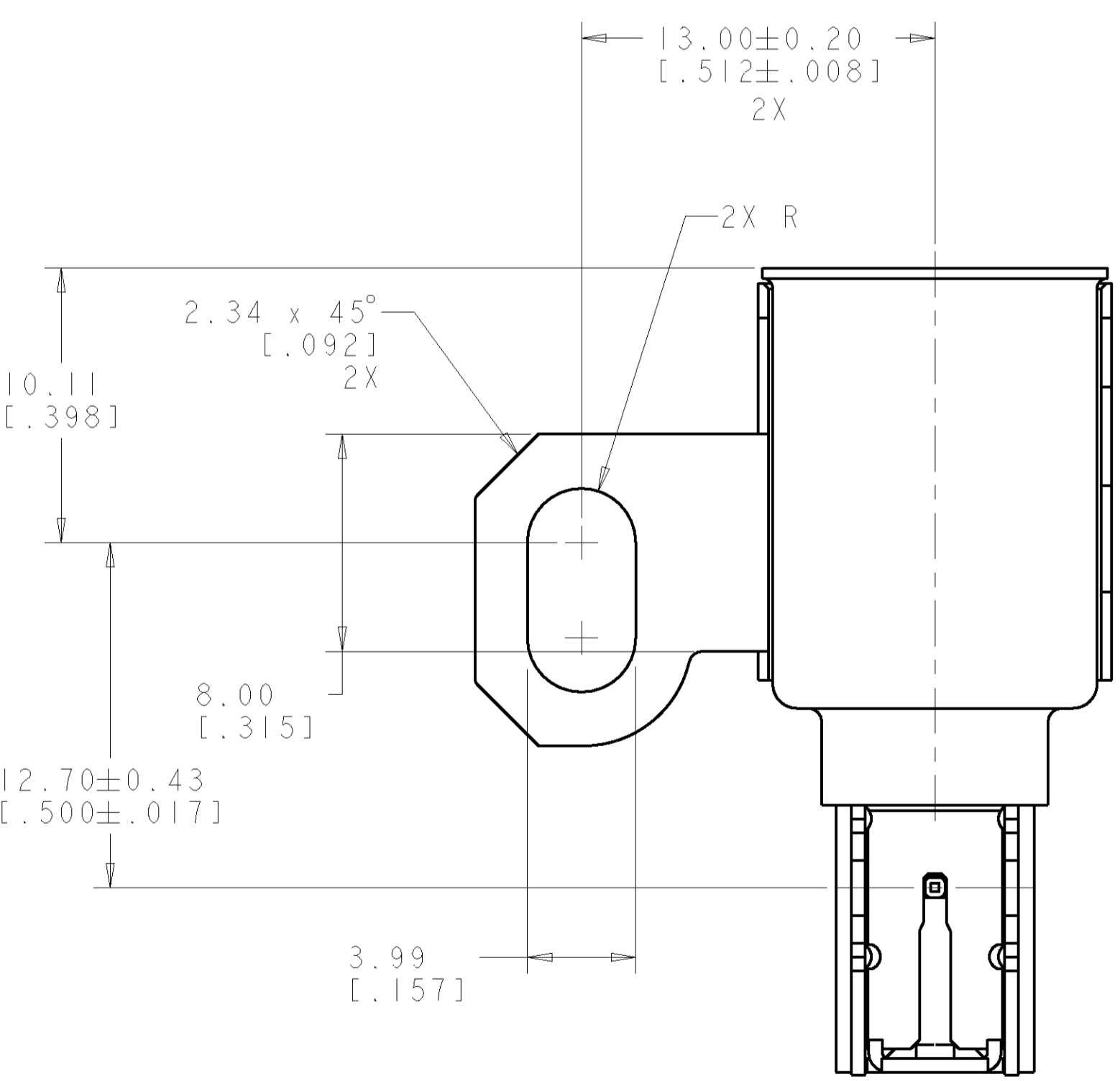


LOC	QTY	REV	DESCRIPTION	DATE	OWN	APP'D
1N	00	D	REVISED PER ECR 07-016700	18JUL2007	DLD	LLV



1488886-1 WITH SPRING CLIP



1488886-5 WITHOUT SPRING CLIP

FRONT SHELL, REAR SHELL AND CONTACT - BRASS.  
 DIELECTRIC - POLYMETHYLPENTENE, NATURAL.  
 GROUNDING SHELL SUBASSEMBLY:  
 GROUNDING SHELL - BRASS.  
 SPRING CLIP - PHOSPHOR BRONZE.

FRONT AND REAR SHELL -  $2.54 \mu\text{m}$  [.000100] MIN TIN OVER  $1.27 \mu\text{m}$  [.000050] MIN NICKEL.  
 CONTACT -  $3.81 \mu\text{m}$  [.000150] MIN TIN OVER  $1.27 \mu\text{m}$  [.000050] MIN NICKEL.  
 GROUNDING SHELL SUBASSEMBLY:  
 GROUNDING SHELL -  $5.08 \mu\text{m}$  [.000200] MIN TIN OVER  $0.38 \mu\text{m}$  [.000015] MIN NICKEL.  
 SPRING CLIP -  $3.0 \mu\text{m}$  [.000118] MIN TIN.

3. PART MUST FIT TO PCB WITHOUT DAMAGE

RECOMMENDED PC BOARD LAYOUT  
 CONNECTOR SIDE OF BOARD

DESCRIPTION	PART NUMBER
WITHOUT SPRING CLIP	1488886-5
WITH SPRING CLIP	1488886-1

DIMENSIONS: mm [INCHES]		TOLERANCES UNLESS OTHERWISE SPECIFIED: 0 PLC ± .01 1 PLC ± .01 2 PLC ± .01 3 PLC ± .01 4 PLC ± .01 ANGLES ± .1°		DWN J. HARDY 16SEP2003 CHK J. M. RAUDENBUSH 16SEP2003 APP'D J. M. RAUDENBUSH 16SEP2003 NAME PRODUCT SPEC APPLICATION SPEC 114-13138 WEIGHT CUSTOMER DRAWING		Tyco Electronics Harrisburg, PA 17105-3608 JACK ASSEMBLY, PC BOARD, 1 POSITION, SNAP-LOCK SIZE CASE CODE DRAWING NO 00779 C=1488886 SCALE 5:1 SHEET 1 OF 1 REV D	
----------------------------	--	---	--	---	--	---	--

## X-ON Electronics

Largest Supplier of Electrical and Electronic Components

*Click to view similar products for [RF Connectors / Coaxial Connectors](#) category:*

*Click to view products by [TE Connectivity](#) manufacturer:*

Other Similar products are found below :

[R125315120](#) [8915-1511-000](#) [89674-0827](#) [5916-1103-603](#) [0106-001-000](#) [6-0001-3](#) [6001-7071-019](#) [6002-7051-003](#) [6002-7551-202](#) [6059674-1](#) [619550-1](#) [630059-000](#) [M39012/25-0021](#) [M39012/79-3008](#) [M39030/3-01N](#) [M39030/3-03N](#) [M3933/25-29N](#) [M3933/25-36N](#) [6500-7071-046](#) [6501-1071-002](#) [M83723/72W24576](#) [M83723/72W2457N](#) [6769](#) [CX050L2AQ](#) [7002-1541-010](#) [7003-1572-002](#) [7004-1512-000](#) [7009-1511-004](#) [7010-1511-000](#) [7029-1511-060](#) [7101-1541-010](#) [7101-1571-002](#) [7105-1521-002](#) [7145-1521-002](#) [7209-1511-011](#) [7210-1511-012](#) [7210-1511-015](#) [7210-1511-019](#) [7210-1511-040](#) [7225-1512-050](#) [7242-1511-000](#) [73137-5015](#) [73216-2241](#) [73251-0111](#) [73251-0672](#) [73276-1501](#) [73366-0013](#) [73404-2300](#) [73413-6080](#) [734151610](#)