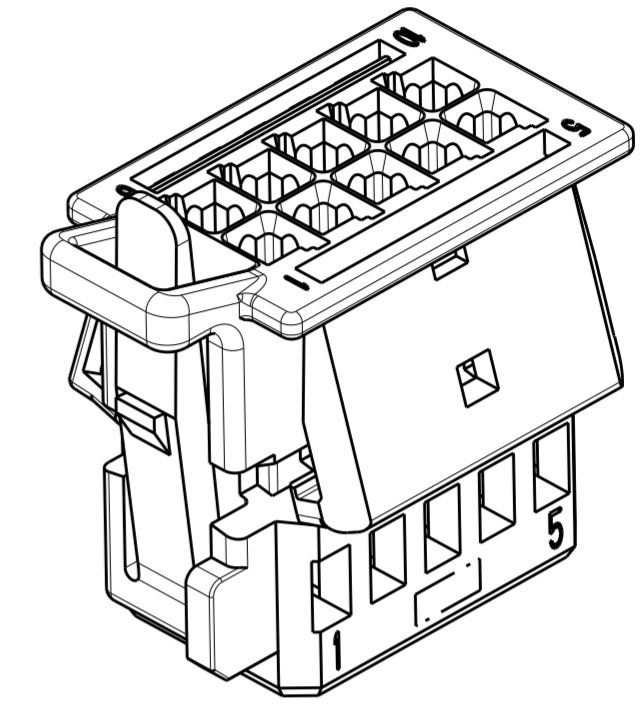
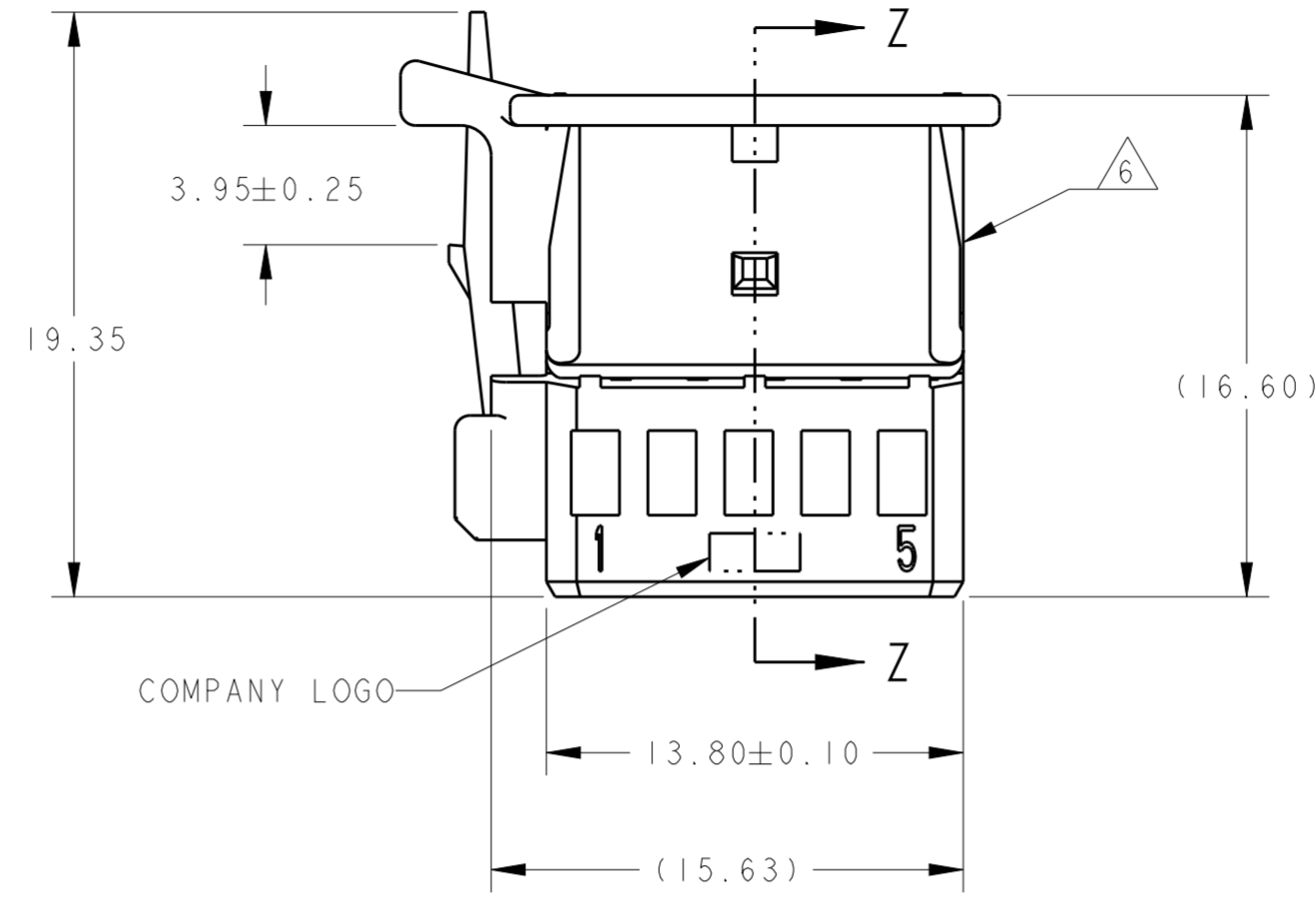
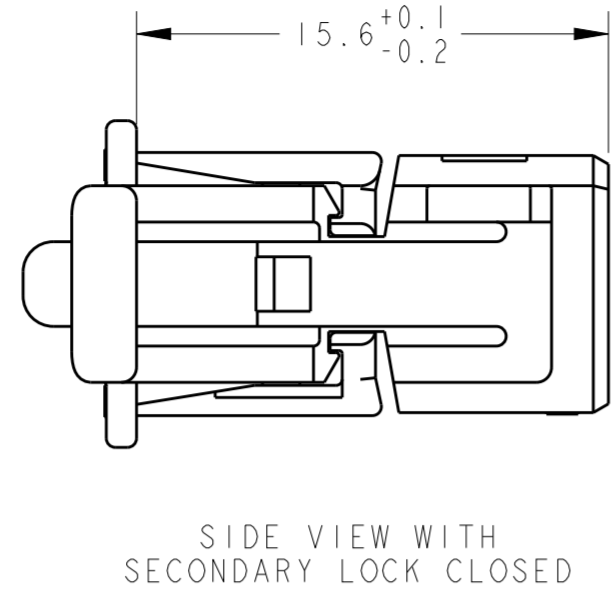
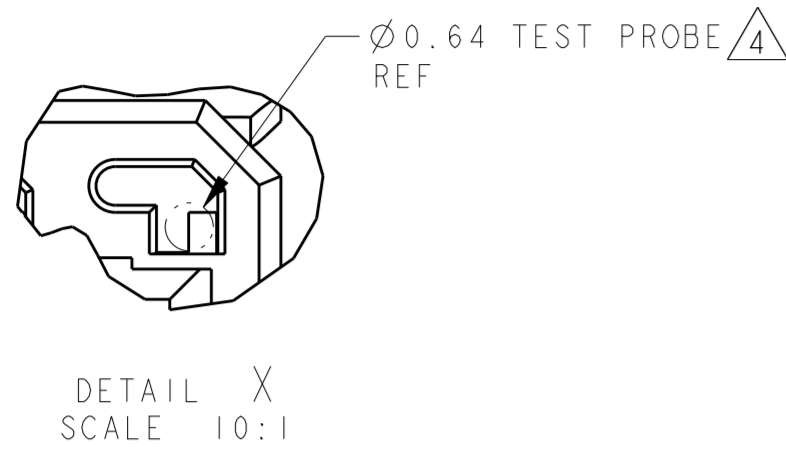


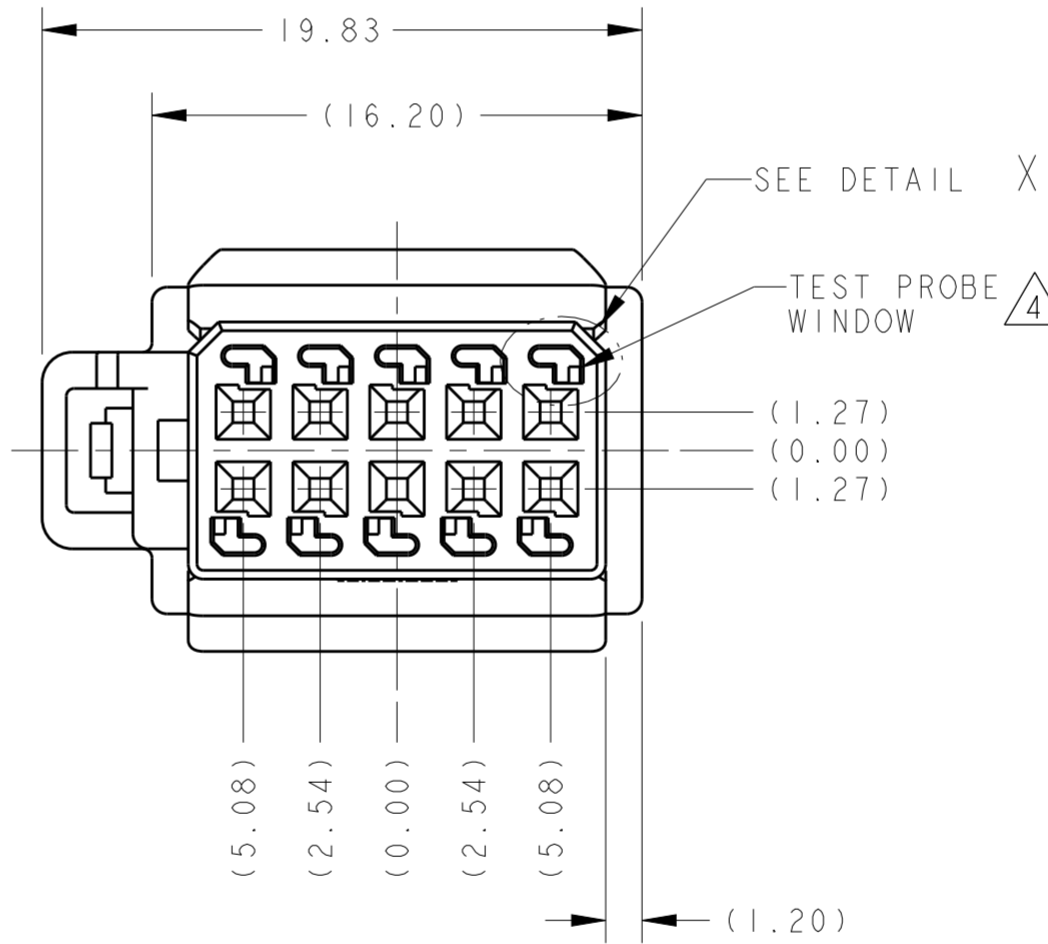
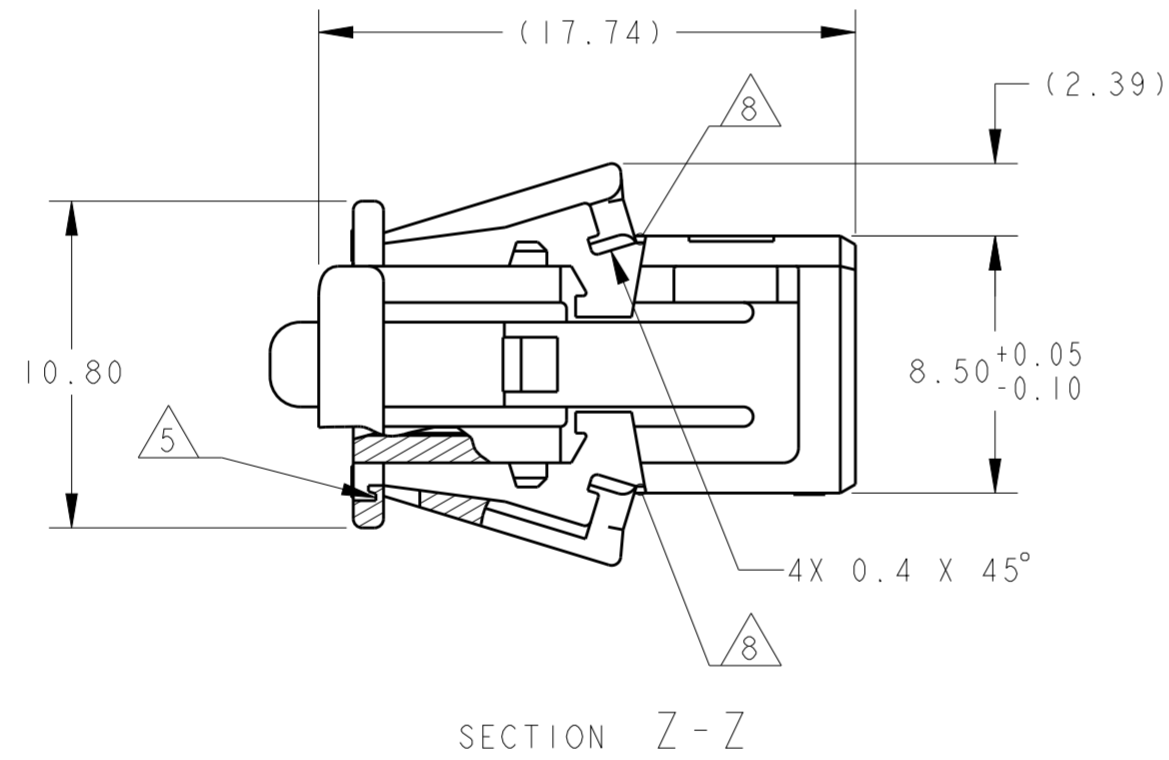
THIS DRAWING IS UNPUBLISHED. RELEASED FOR PUBLICATION 20
 © COPYRIGHT 20 BY - ALL RIGHTS RESERVED.

REVISIONS				
P	LTR	DESCRIPTION	DATE	APVD
B3		REVISED PER ECO-16-014102	28SEP2016	DD AH



APPLICABLE TERMINALS & WIRE SIZES

DESCRIPTION	TE P/N	WIRE SIZE	WIRE SIZE (MM ²)
TERMINAL - FEMALE (Sn)	928999-1	20-22 AWG	0.22-0.5
TERMINAL - FEMALE (Au)	928999-5	20-22 AWG	0.22-0.5
TERMINAL - FEMALE (Sn)	963715-1	18 AWG	0.75
TERMINAL - FEMALE (Au)	963715-5	18 AWG	0.75



COLOR	KEYING ARRANGEMENTS	TE PART NUMBER
GRAY	KEY KB	1488973-3
BLACK	KEY KB	1488973-2
BLACK	KEY KA	1488973-1

- 1 MATERIAL: PBT, 15% GLASS FILLED, SEE TABLE.
- 2 1488973-1 SHOWN
- 3 REFER TO PRODUCT GROUP DRAWING 929454 FOR TERMINAL CONTACT INFORMATION. THIS PLUG WILL NOT WORK WITH TERMINALS DESIGNED FOR INDIVIDUAL WIRE SEALS.
- 4 SEE APPLICATION SPEC. 114-13143 FOR TEST PROBE LOCATION LAYOUT.
- 5 WHEN SECONDARY LOCK IS TRANSITIONED FROM THE OPEN TO THE CLOSED POSITION THE PLASTIC ATTACHING THE SECONDARY LOCK IS ALLOWED/ASSUMED TO BREAK AWAY IN THE AREA SHOWN (TYPICAL).
- 6 FOUR DIGIT DATE CODE (MMYY), LOCATED IN APPROXIMATE AREA SHOWN.
- 7 REFERENCE TE CONNECTIVITY DRAWING NUMBER 1488974 FOR MATING INTERFACE DESIGN DETAILS.
- 8 DURING SHIPPING THESE WEBS MAY BE FRACTURED, AND UP TO 1% OF PARTS MAY HAVE ONE OR BOTH SECONDARY LOCKS IN THE CLOSED POSITION. REFER TO APPLICATION SPEC 114-13143 FOR INSTRUCTION ON USING PARTS IN THIS CONDITION.

THIS DRAWING IS A CONTROLLED DOCUMENT.		DWN J. R. SHUEY 22DEC2003	TE Connectivity	
DIMENSIONS: mm		CHK F. KINSEY 22JUN2004		
TOLERANCES UNLESS OTHERWISE SPECIFIED:		APVD F. KINSEY 22JUN2004	NAME	
0 PLC ±		PRODUCT SPEC	SOCKET HOUSING, 10 POSITION 2 X 5, MQS CONNECTOR	
1 PLC ±		APPLICATION SPEC	-	
2 PLC ±0.20		114-13143	SIZE	CAGE CODE
3 PLC ±		WEIGHT 1.7 g	A200779	DRAWING NO. C-1488973
4 PLC ±		CUSTOMER DRAWING	SCALE 4:1	SHEET 1 OF 1
ANGLES ±				REV B3
FINISH				

X-ON Electronics

Largest Supplier of Electrical and Electronic Components

Click to view similar products for [Automotive Connectors](#) category:

Click to view products by [TE Connectivity](#) manufacturer:

Other Similar products are found below :

[003-018-000](#) [60403001](#) [60993906-B](#) [M902-2131](#) [M902-2161](#) [M902-2344](#) [72.330.1035.1](#) [73.353.4028.0](#) [F119300-B](#) [F166900](#) [F258300-B](#)
[F358300-B](#) [F407400](#) [F444110](#) [F487000](#) [F509500B-B](#) [827153-1](#) [8N1515-32-24P](#) [9-1326729-8](#) [925474-1](#) [928905-1](#) [964562-4](#) [968782-1](#)
[GT17SA-8DS-HU](#) [98891-1012](#) [98947-1016](#) [12004147](#) [12004475-L](#) [12010290](#) [12010309-B](#) [12015454](#) [12020219-B](#) [12041318-B](#) [12052225-](#)
[L](#) [12052466](#) [12064869](#) [12004327-B](#) [12015308](#) [12015384](#) [12015909](#) [1-21030-1](#) [12041254](#) [12041318](#) [12047946-B](#) [12047957](#) [12047957-L](#)
[12059473](#) [12066261](#) [12110546](#) [12110546-B](#)