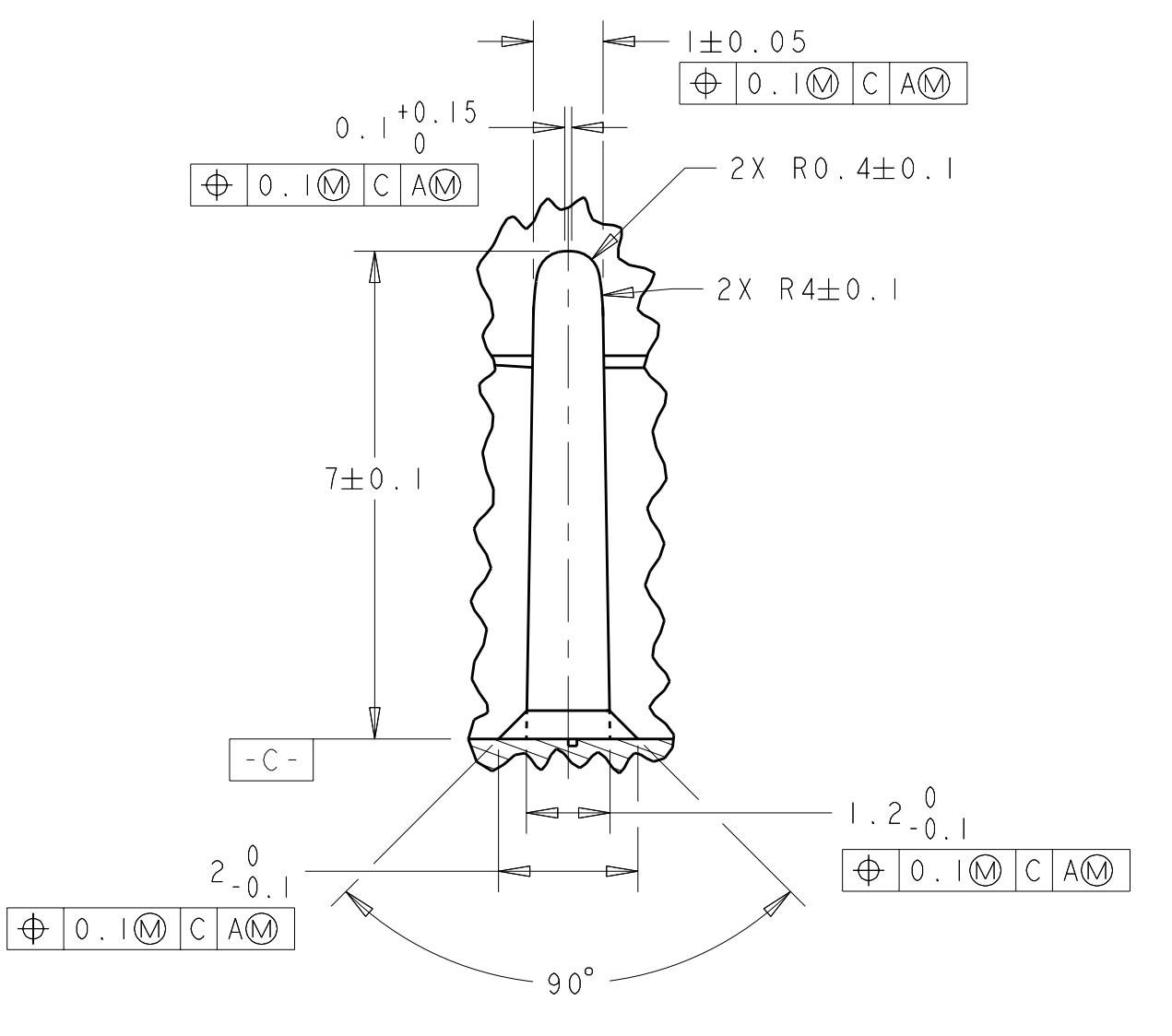
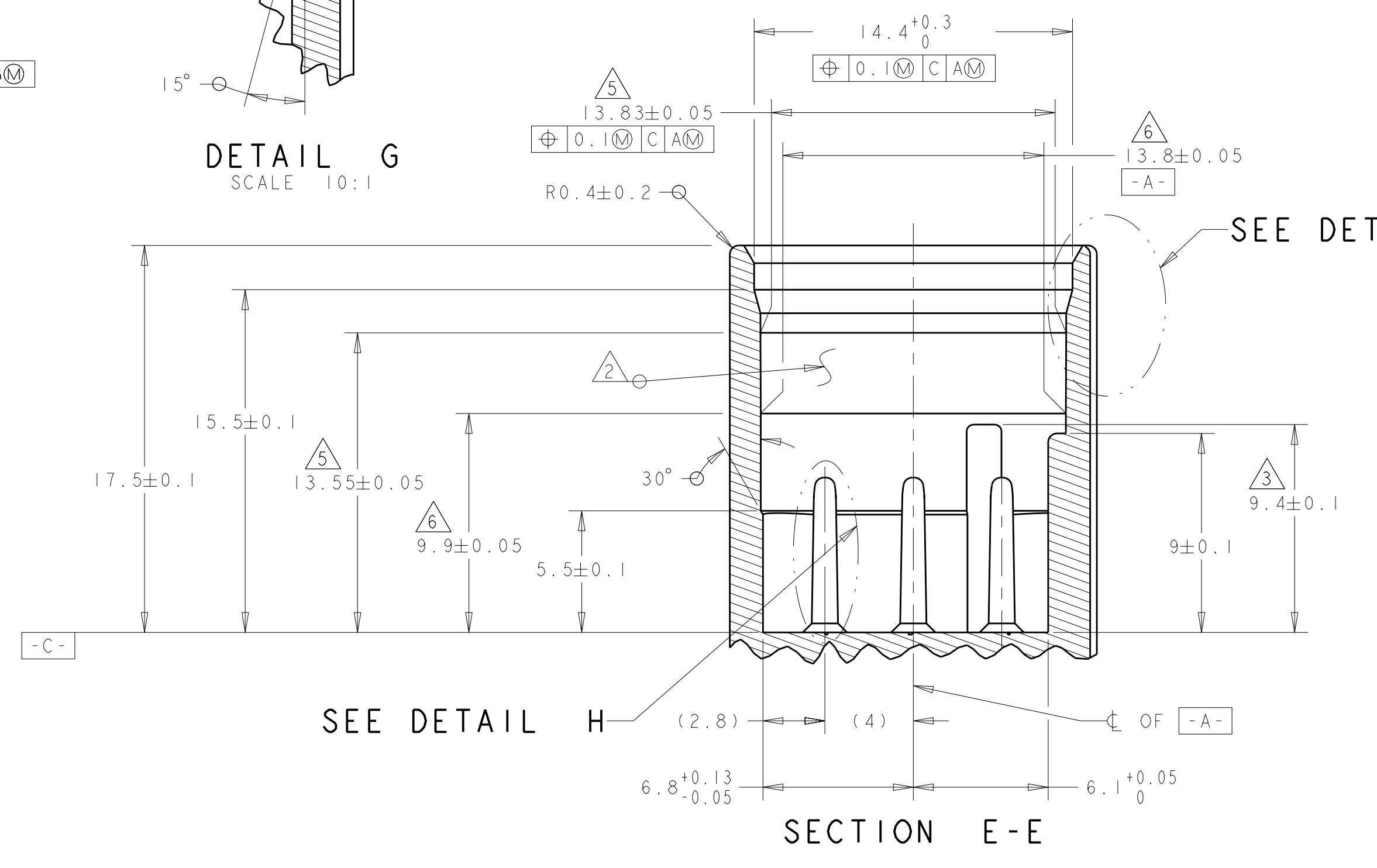
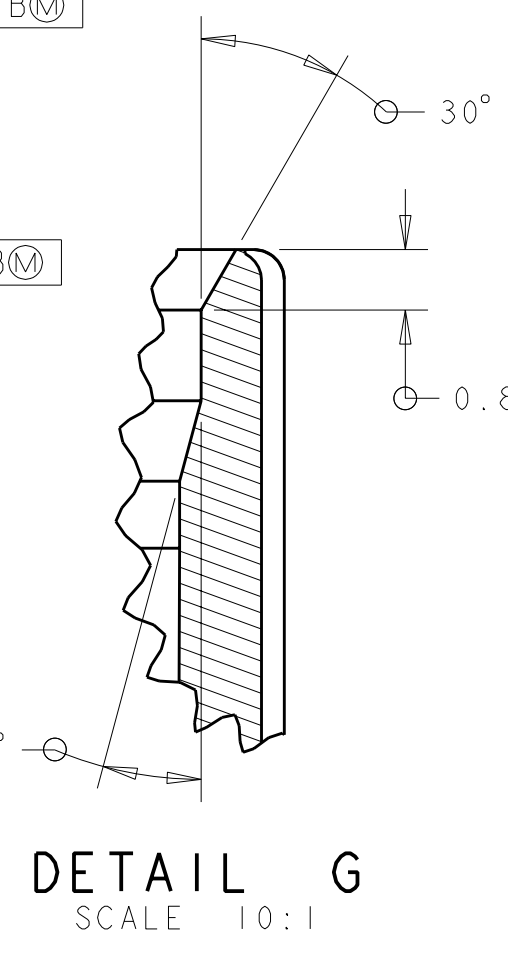
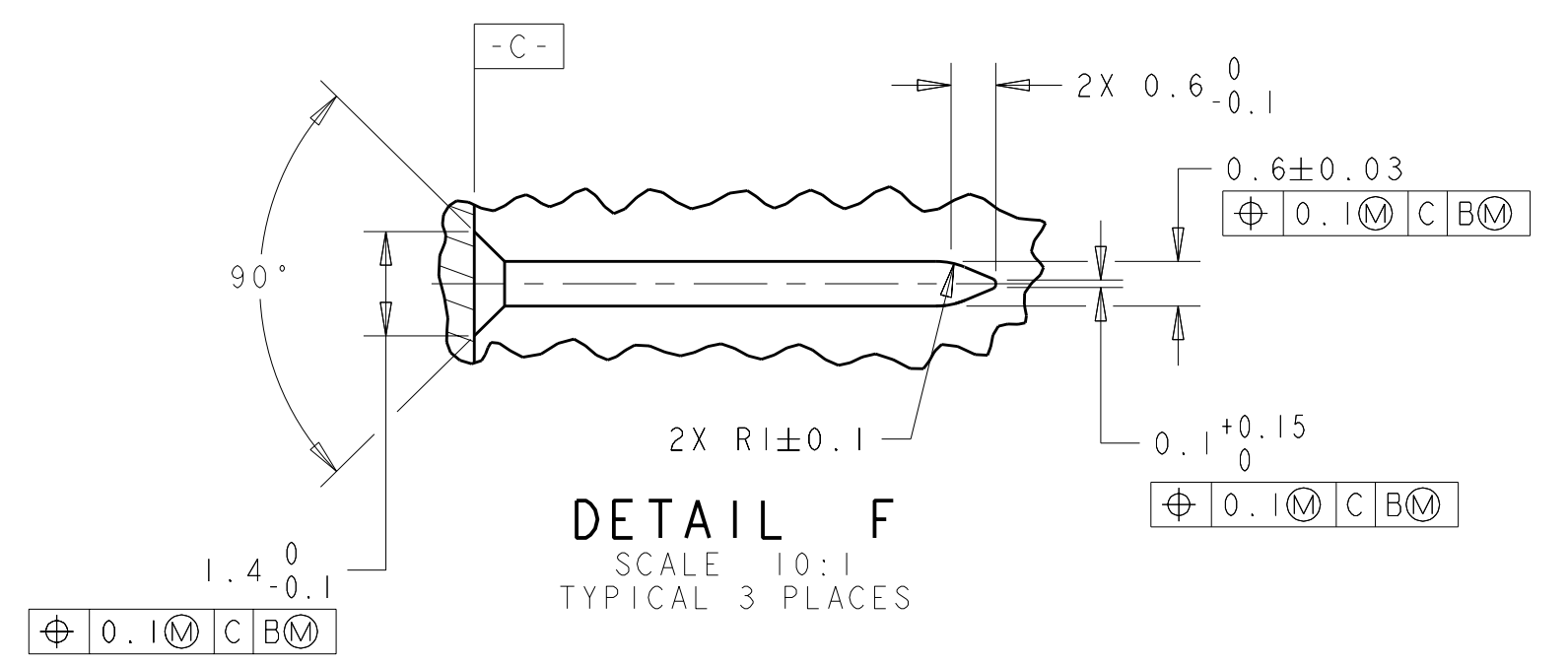
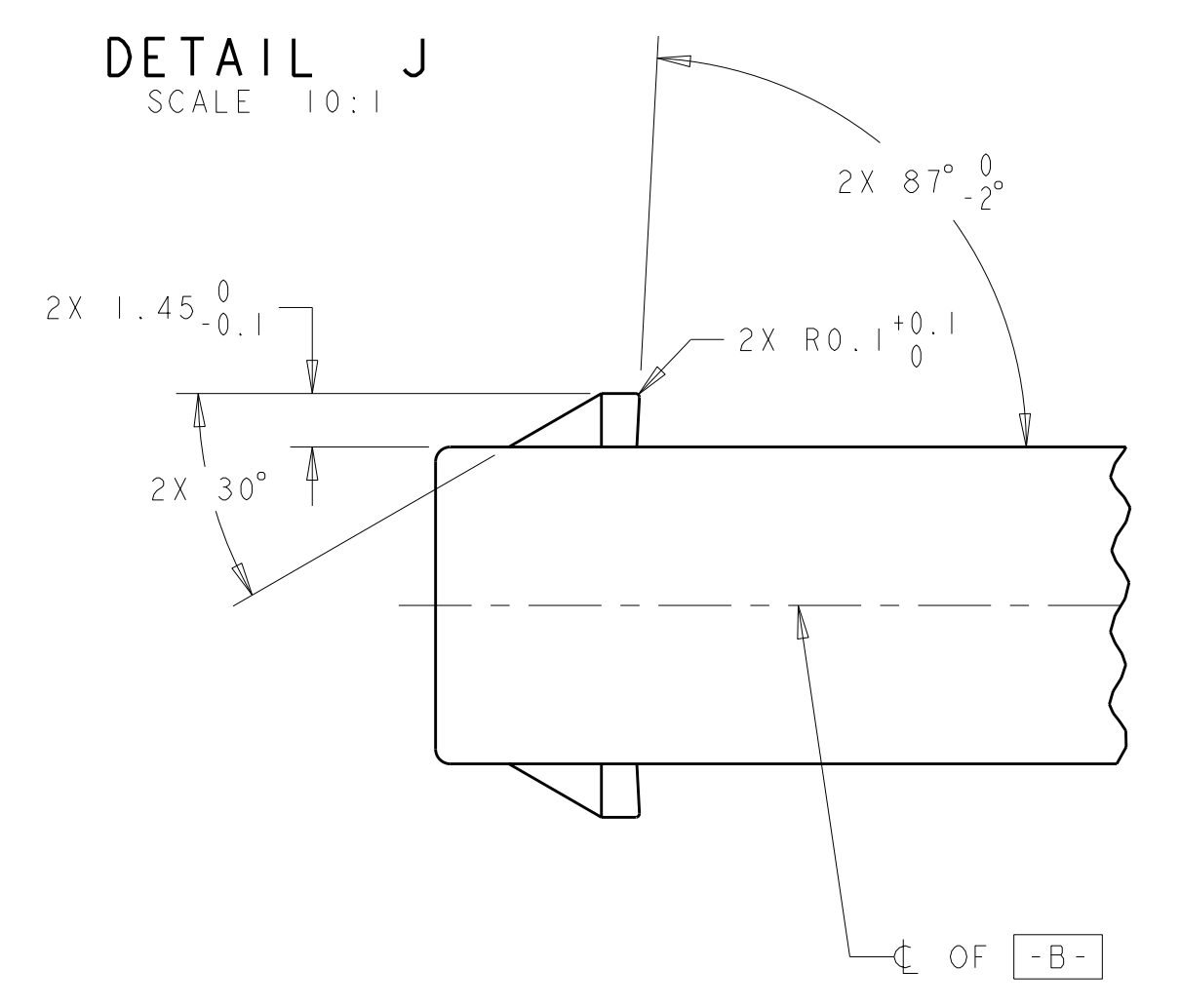
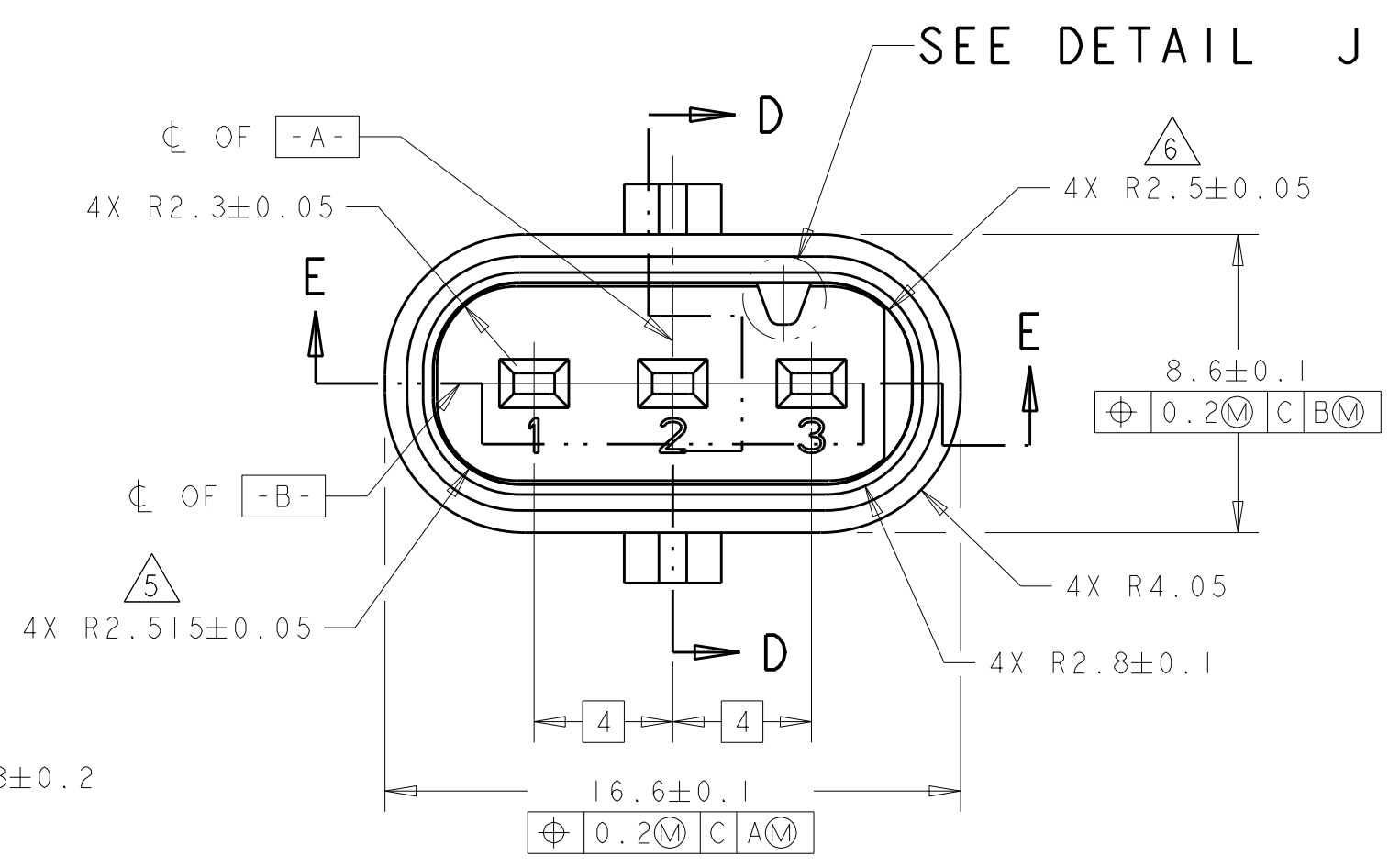
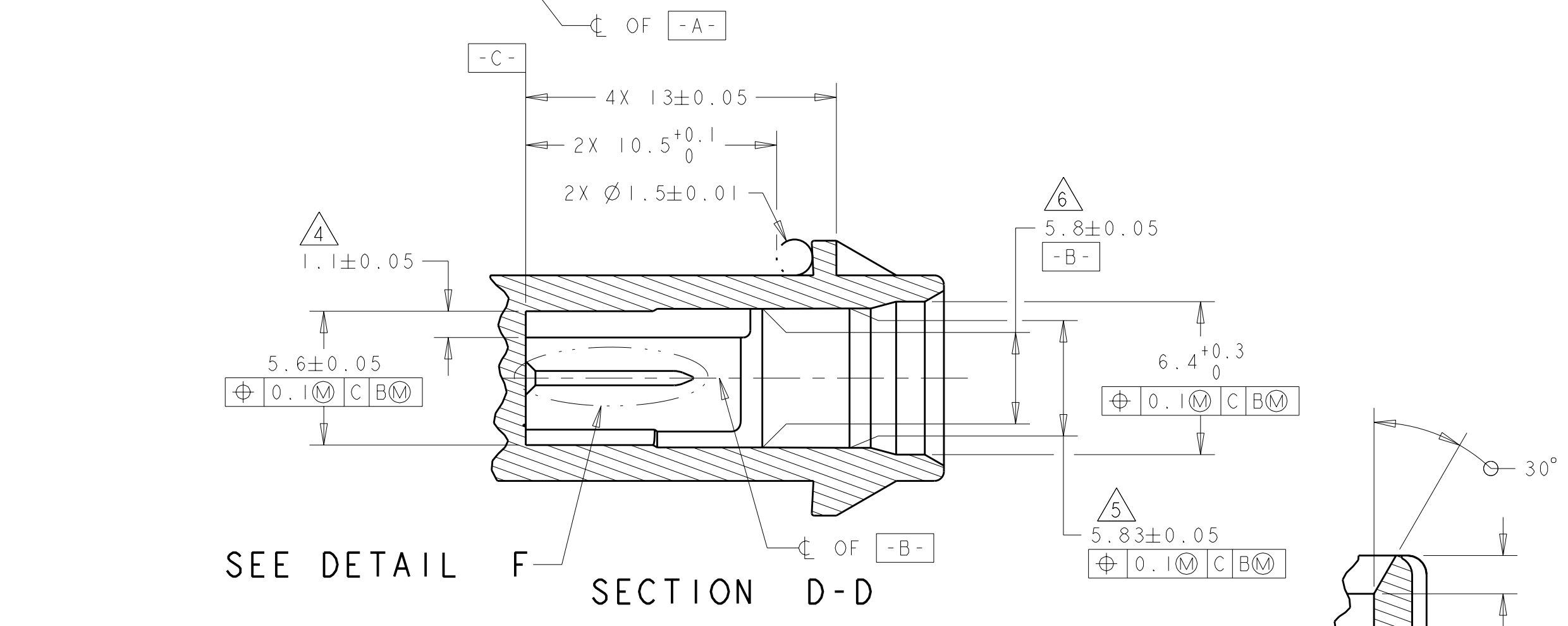
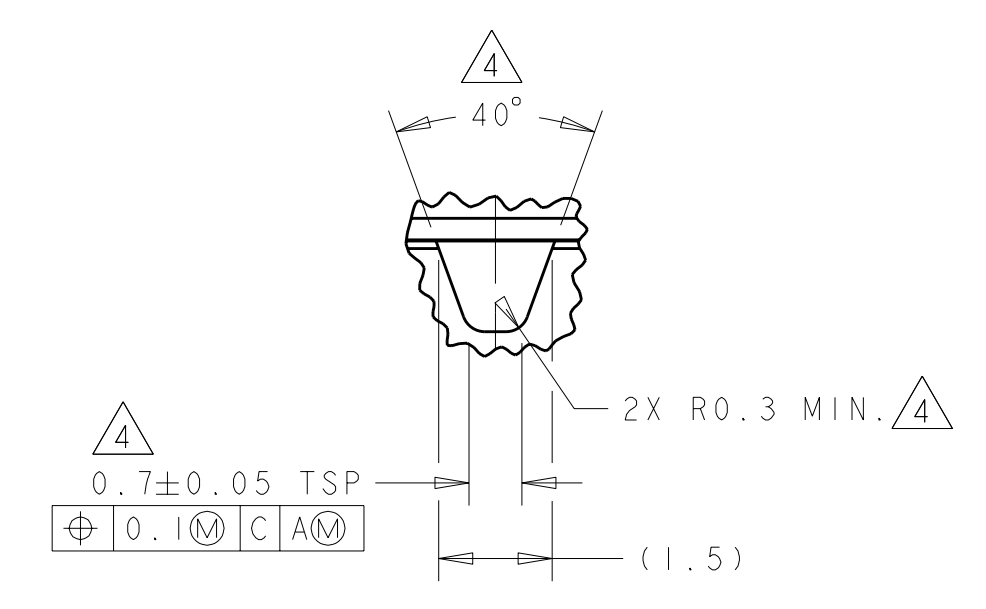
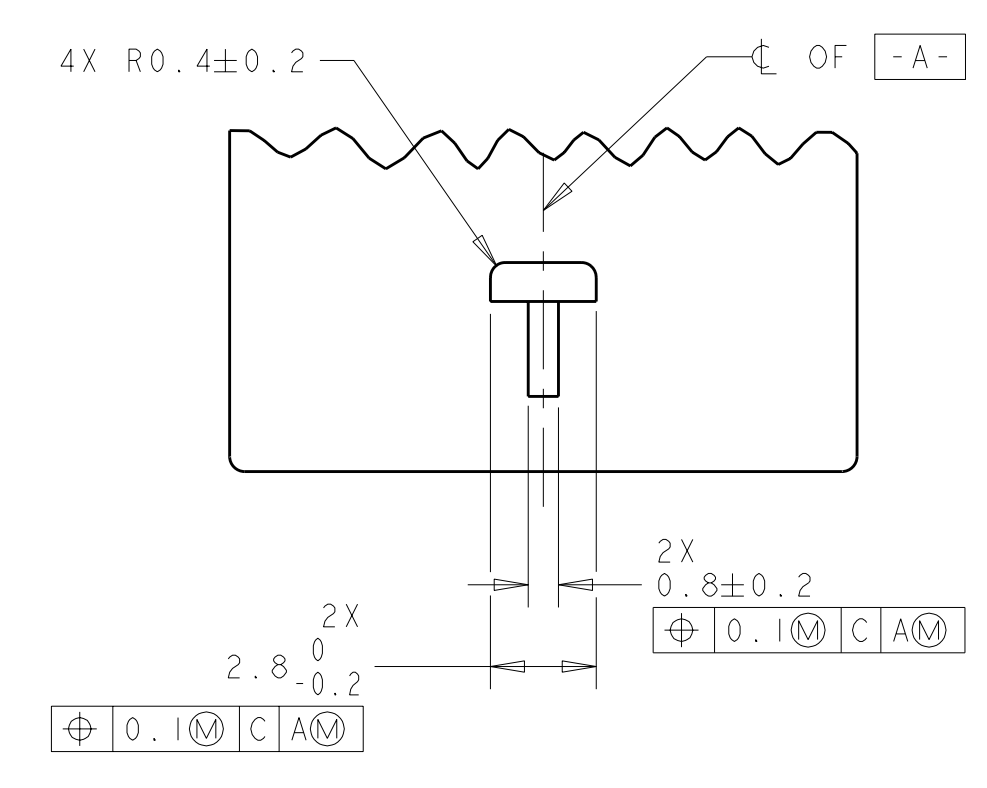
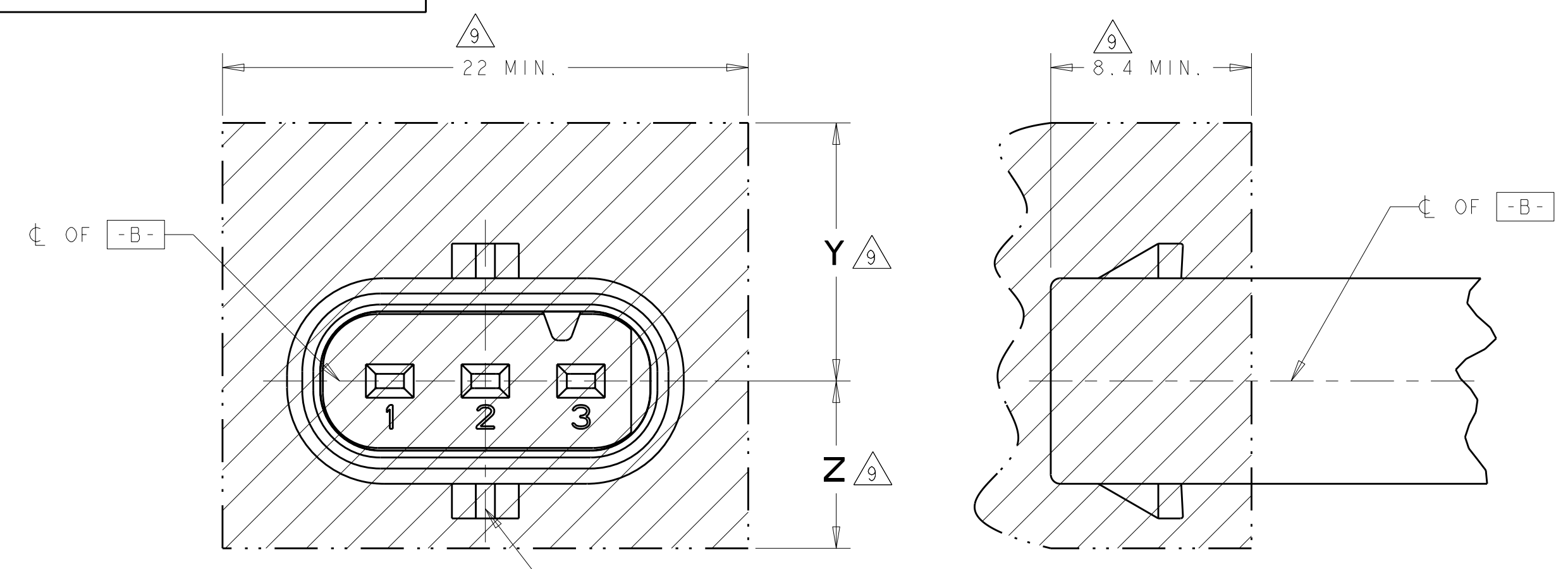
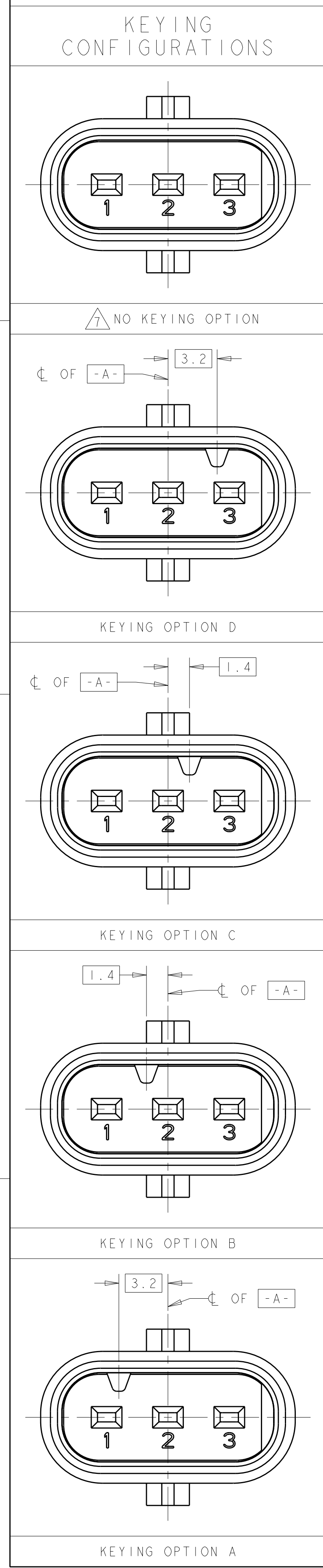


LOC	DIST	REV	DATE	BY	APPD
1N	00	P	24MAR2011	RK	HMR
		LTR	DESCRIPTION	DATE	DWN
		P	REVISED PER ECO-11-005030	24MAR2011	RK



- KEYING OPTION D SHOWN.
- SEALING SURFACE, NO WITNESS LINES OR DAMAGE PERMITTED.
- DRAFT WITHIN TOLERANCE.
- THIS DIMENSION APPLIES TO KEYING OPTIONS A, B, C, AND D.
- THIS DIMENSION TO BE MEASURED AT THE 13.55 DIMENSION.
- THIS DIMENSION TO BE MEASURED AT THE 9.9 DIMENSION.
- THIS NO KEYING OPTION TO BE USED FOR TESTING PURPOSES ONLY.
- CONTACT PINS TO BE FREE OF SHARP EDGES AND BURRS.
- CROSS-HATCHED AREA SHOWS THE MINIMUM REQUIRED CLEARANCE FOR THE MATING FEMALE CONNECTOR GEOMETRY. THE VALUES BELOW DEPEND ON THE MATING FEMALE CONNECTOR LATCH CONFIGURATION:

LATCH CONFIGURATION	Y	Z
TOP AND BOTTOM LATCH	10.8 MIN.	10.8 MIN.
BOTTOM LATCH	7 MIN.	10.8 MIN.
TOP LATCH	10.8 MIN.	7 MIN.

THIS DRAWING IS A CONTROLLED DOCUMENT.

STE TE Connectivity

INTERFACE DRAWING  
3 POSITION SEALED, 1.2mm  
STANDARD VERSION

100779C-1488738

SCALE 5:1 SHEET 1 OF 1 REV P

## X-ON Electronics

Largest Supplier of Electrical and Electronic Components

*Click to view similar products for [Automotive Connectors](#) category:*

*Click to view products by [TE Connectivity](#) manufacturer:*

Other Similar products are found below :

[003-018-000](#) [60403001](#) [60993906-B](#) [M902-2131](#) [M902-2161](#) [72.330.1035.1](#) [73.353.4028.0](#) [F119300-B](#) [F166900](#) [F258300-B](#) [F358300-B](#)  
[F407400](#) [F444110](#) [F487000](#) [F509500B-B](#) [827153-1](#) [8N1515-32-24P](#) [9-1326729-8](#) [925474-1](#) [928905-1](#) [964562-4](#) [968782-1](#) [GT17SA-8DS-](#)  
[HU](#) [98891-1012](#) [98947-1016](#) [12004147](#) [12004475-L](#) [12010290](#) [12010309-B](#) [12015454](#) [12020219-B](#) [12020308](#) [12041318-B](#) [12052225-L](#)  
[12052466](#) [12059125](#) [12064869](#) [12004327-B](#) [12010503-B](#) [12015308](#) [12015384](#) [12015909](#) [1-21030-1](#) [12041254](#) [12041318](#) [12047946-B](#)  
[12047957](#) [12047957-L](#) [12059473](#) [12066261](#)