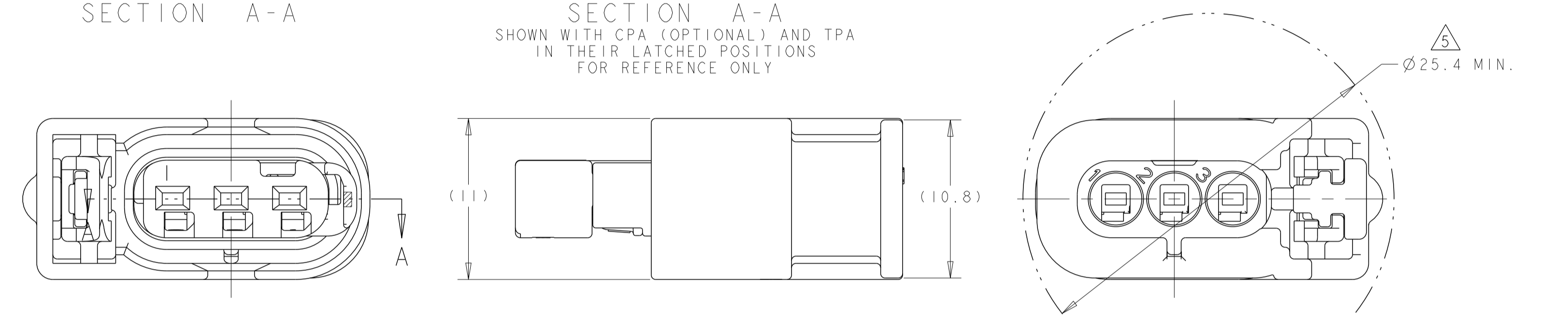
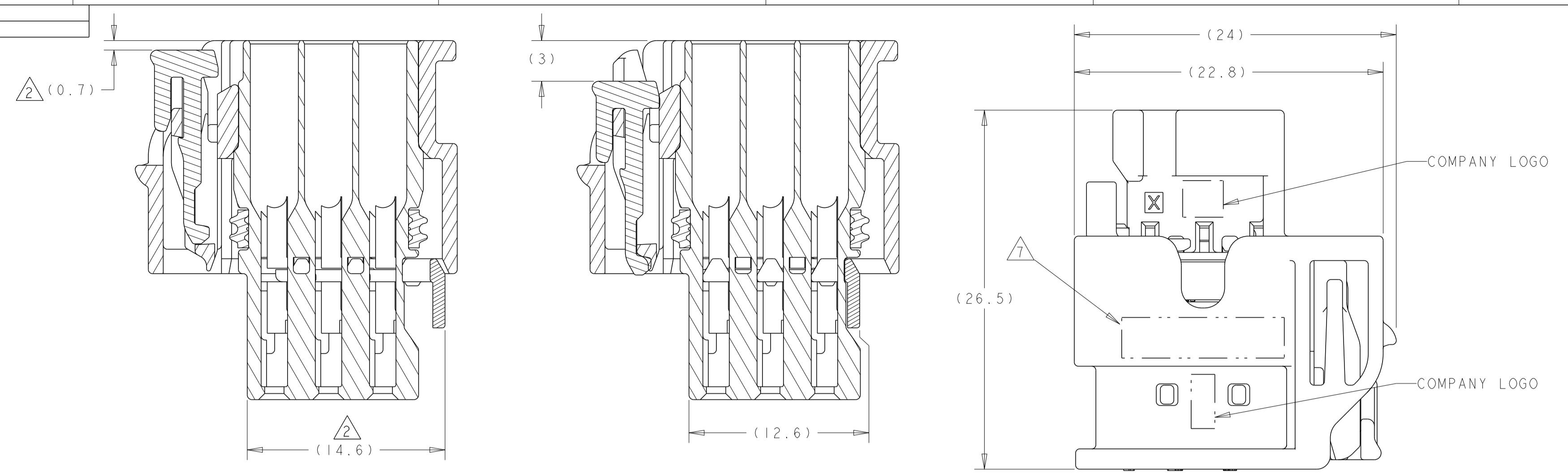
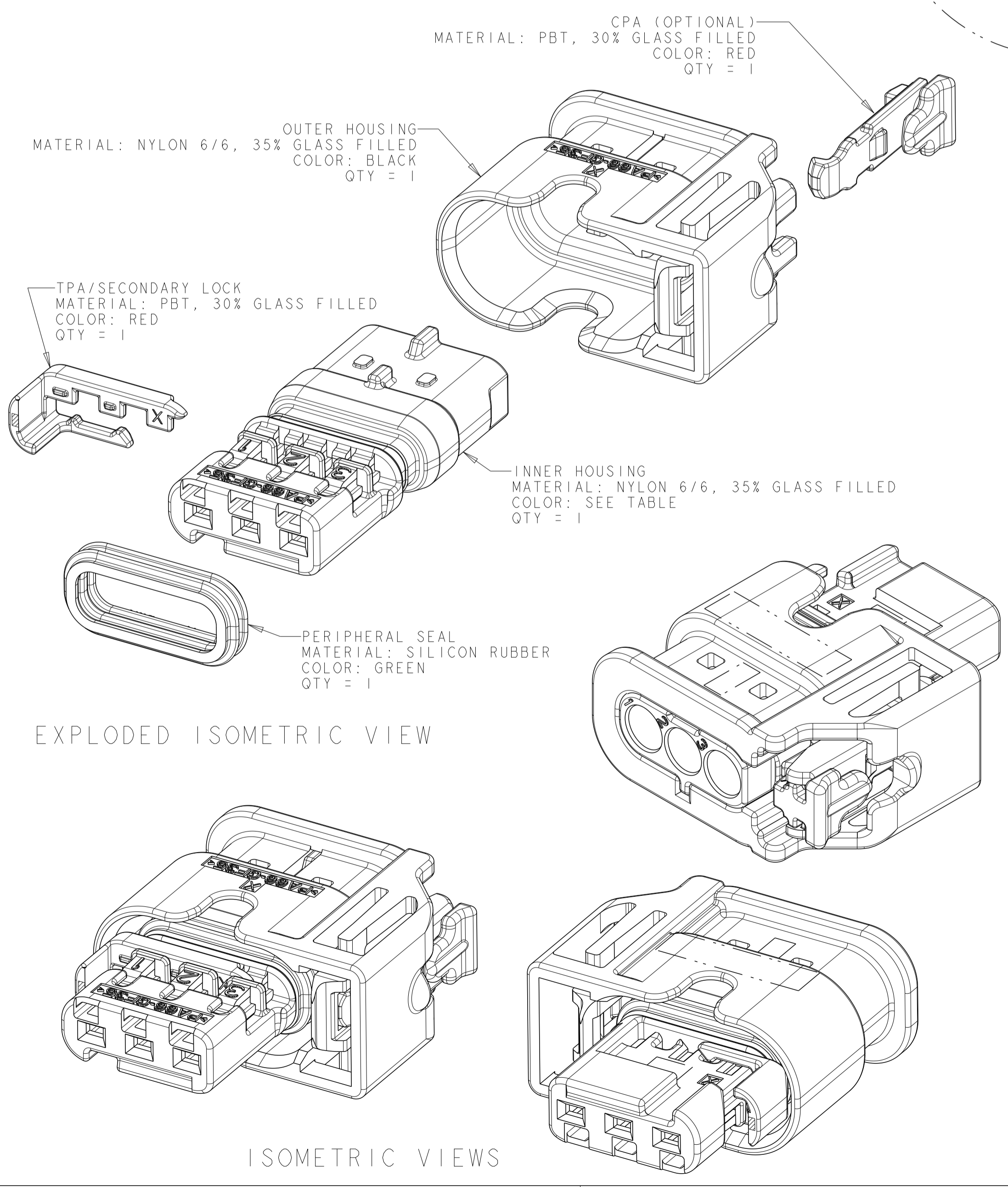
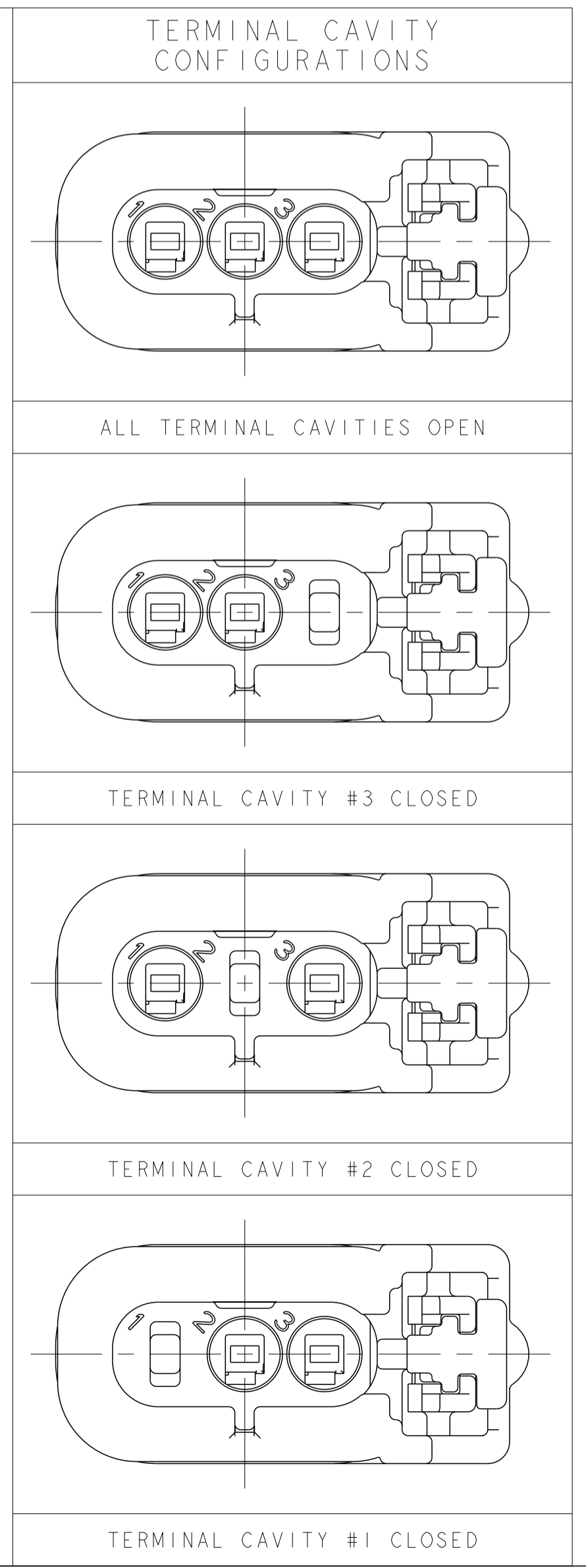
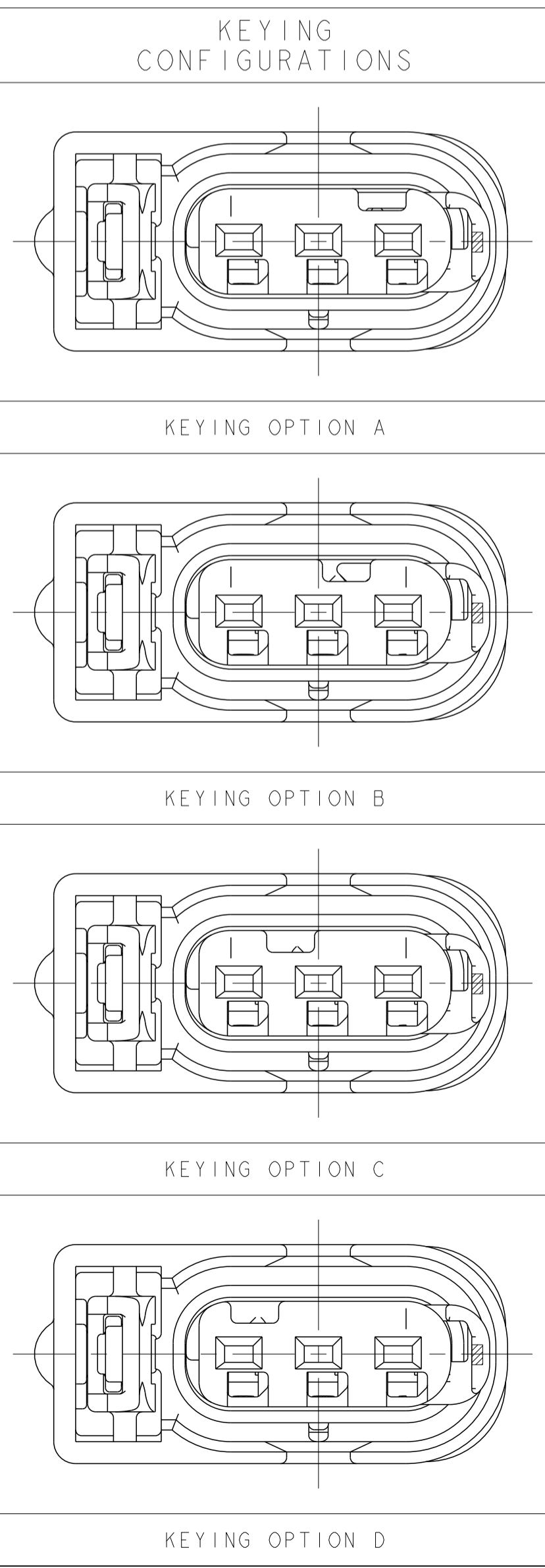


- PART NUMBER 1488992-5 SHOWN ON DRAWING.
- TPA AND CPA (WHEN APPLICABLE) ARE SHIPPED IN THEIR PRE-LATCHED POSITIONS. SEE INSTRUCTION SHEET 408-8928 FOR DIRECTIONS ON MOVING THE CPA AND TPA TO THE PRE-LATCHED POSITION, IF NECESSARY.
- TERMINALS SOLD SEPARATELY. FOR USE WITH TE MCON 1.2mm CLEAN BODY CONTACT WITH WIRE SEAL. SEE TERMINAL DRAWING 1534326 FOR PLATING, TERMINATION, AND REELING OPTIONS. IN ADDITION TO THE TERMINAL AND SEAL COMBINATIONS SHOWN ON DRAWING 1534326, THE CONNECTOR HAS BEEN QUALIFIED FOR USE WITH 16AWG AND 18AWG THIN WALL AUTOMOTIVE WIRE AND WIRE SEAL NUMBER 964972-1.
- APPLICABLE HEADER INTERFACE DRAWING 1488788 IS AVAILABLE UPON REQUEST. A COPY OF THIS DRAWING CAN BE OBTAINED FROM THE TE CONNECTIVITY PRODUCT MANAGER, VIA YOUR TE CONNECTIVITY SALES REPRESENTATIVE OR CUSTOMER SERVICE.
- MINIMUM FEED THROUGH CONDITION WITH 0.5mm CLEARANCE ALL AROUND.
- A "X" IN THIS TABLE INDICATES THAT THE TERMINAL CAVITY IS BLOCKED AND WILL NOT ALLOW INSERTION OF THE MATING TERMINAL. A "O" IN THIS TABLE INDICATES THAT THE TERMINAL CAVITY IS OPEN AND WILL ALLOW INSERTION OF THE MATING TERMINAL.
- TRACEABILITY PRINTED IN THIS LOCATION AT ASSEMBLY.
- CONNECTOR SYSTEM MEETS THE REQUIREMENTS OF USCAR-2, REVISION 3, EXCEPT WHERE NOTED:  
 PRIMARY TERMINAL-CONNECTOR DISENGAGE FORCE IS 30N MIN.  
 SECONDARY TERMINAL-CONNECTOR DISENGAGE FORCE IS 75N MIN.  
 TPA ENGAGE AND DISENGAGE FORCES ARE 10N MIN - 30N MAX.  
 CPA ENGAGE AND DISENGAGE FORCES (WITH MATING CONNECTOR) ARE 30N MAX.  
 CPA REMOVAL FORCE FROM CONNECTOR IS 15N MIN.



REVISIONS					
P. LTM	DESCRIPTION	DATE	DWN	APVD	
F3	REVISED PER ECO-12-008196	07MAY2012	DLD	SLM	
F4	REVISED PER ECO-15-002909	25FEB2015	DLD	SLM	
F5	REVISED PER ECO-15-011380	05AUG2015	DLD	SLM	
F6	REVISED PER ECO-20-010321	08SEP2020	AP	SI	



MCON 1.2-CB (CLEAN BODY)									
PART NUMBER	PLATING	WIRE STRIP LENGTH	AWG	INSL. RANGE	W.C.H.	W.C.W.	I.C.D.	WIRE SEAL PART NUMBER	
1418847-3	SILVER			1.4 TO 1.9					
1418847-2	GOLD	3.6 ±0.3	20		0.98 ±0.03	1.57 ±0.05	3.25±0.05	967067-1	
1418847-1	TIN								
1418850-3	SILVER			1.8 TO 2.4					
1418850-2	GOLD	3.6 ±0.3			1.11 ±0.05	1.78 ±0.05	3.35±0.05	964972-1	
1418850-1	TIN				1.11 ±0.05	1.31 ±0.05			

STATUS	INNER HOUSING COLOR	KEYING CONFIGURATION	TERMINAL CAVITY CONFIGURATION			CPA Y/N	PART NUMBER
			CAVITY 1	CAVITY 2	CAVITY 3		
NOT RELEASED	GRAY	D					3-1488992-2
	BLUE	C	X	O	O	Y	3-1488992-1
	NATURAL	B					3-1488992-0
	BLACK	A					2-1488992-9
NOT RELEASED	GRAY	D					2-1488992-8
	BLUE	C	X	O	O	N	2-1488992-7
	NATURAL	B					2-1488992-6
	BLACK	A					2-1488992-5
NOT RELEASED	GRAY	D					2-1488992-4
	BLUE	C	O	X	O	Y	2-1488992-3
	NATURAL	B					2-1488992-2
	BLACK	A					2-1488992-1
NOT RELEASED	GRAY	D					2-1488992-0
	BLUE	C		X	O	N	1-1488992-9
	NATURAL	B	O	X	O	N	1-1488992-8
	BLACK	A					1-1488992-7
NOT RELEASED	GRAY	D					1-1488992-6
	BLUE	C	O	O	X	Y	1-1488992-5
	NATURAL	B					1-1488992-4
	BLACK	A					1-1488992-3
NOT RELEASED	GRAY	D					1-1488992-2
	BLUE	C	O	O	X	N	1-1488992-1
	NATURAL	B					1488992-9
	BLACK	A					1488992-8
RELEASED	GRAY	D					1488992-7
RELEASED	BLUE	C	O	O	O	Y	1488992-6
RELEASED	NATURAL	B					1488992-5
RELEASED	BLACK	A					1488992-4
RELEASED	GRAY	D					1488992-3
OBSOLETE	BLUE	C				N	1488992-2
RELEASED	NATURAL	B					1488992-1
RELEASED	BLACK	A					

THIS DRAWING IS A CONTROLLED DOCUMENT. DWN: M. FORISKA, 21FEB2004  
 CHK: G. MARTIN, 23FEB2004  
 APVD: G. MARTIN, 23FEB2004

TE Connectivity  
**STE**  
 CONNECTOR ASSEMBLY, FEMALE, 3 POSITION, SEALED, 1.2mm (LOW PROFILE LATCH VERSION)

IS 408-8928  
 A100779C=1488992

CUSTOMER DRAWING SCALE 4:1 SHEET 1 OF 1 REV F6

## X-ON Electronics

Largest Supplier of Electrical and Electronic Components

*Click to view similar products for [Automotive Connectors](#) category:*

*Click to view products by [TE Connectivity](#) manufacturer:*

Other Similar products are found below :

[003-018-000](#) [60993906-B](#) [72.330.1035.1](#) [776880-1](#) [827153-1](#) [9-1326729-8](#) [9-221607-5](#) [925474-1](#) [928905-1](#) [964562-4](#) [968782-1](#) [98891-1012](#) [12004468](#) [12004475-L](#) [12004483](#) [12052466](#) [12066163](#) [12015909](#) [12077753](#) [1-21030-1](#) [12047957](#) [12047958](#) [12084688](#) [12185550](#) [12336-12](#) [1-326211-1](#) [13681974](#) [13688972](#) [13755420](#) [13779834](#) [13783086](#) [13843152](#) [13522378](#) [13581967](#) [13669624](#) [13675513](#) [13753471](#) [13946876](#) [13953457](#) [13955963](#) [13964573](#) [13971791](#) [13790534-L](#) [13797473](#) [13805590](#) [13888202](#) [1428188-1](#) [1437287-3](#) [1428188-2](#) [DS07-19S-5020](#)