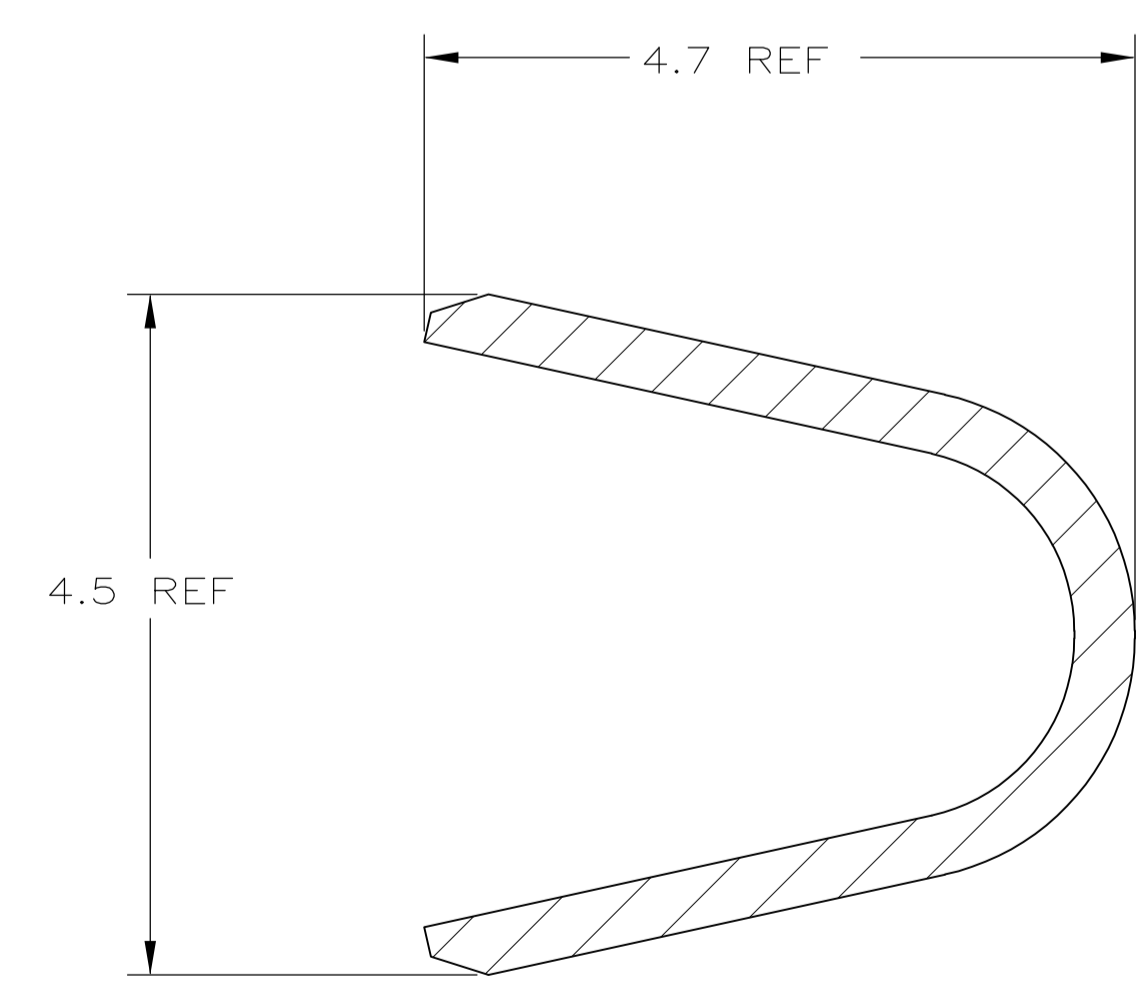


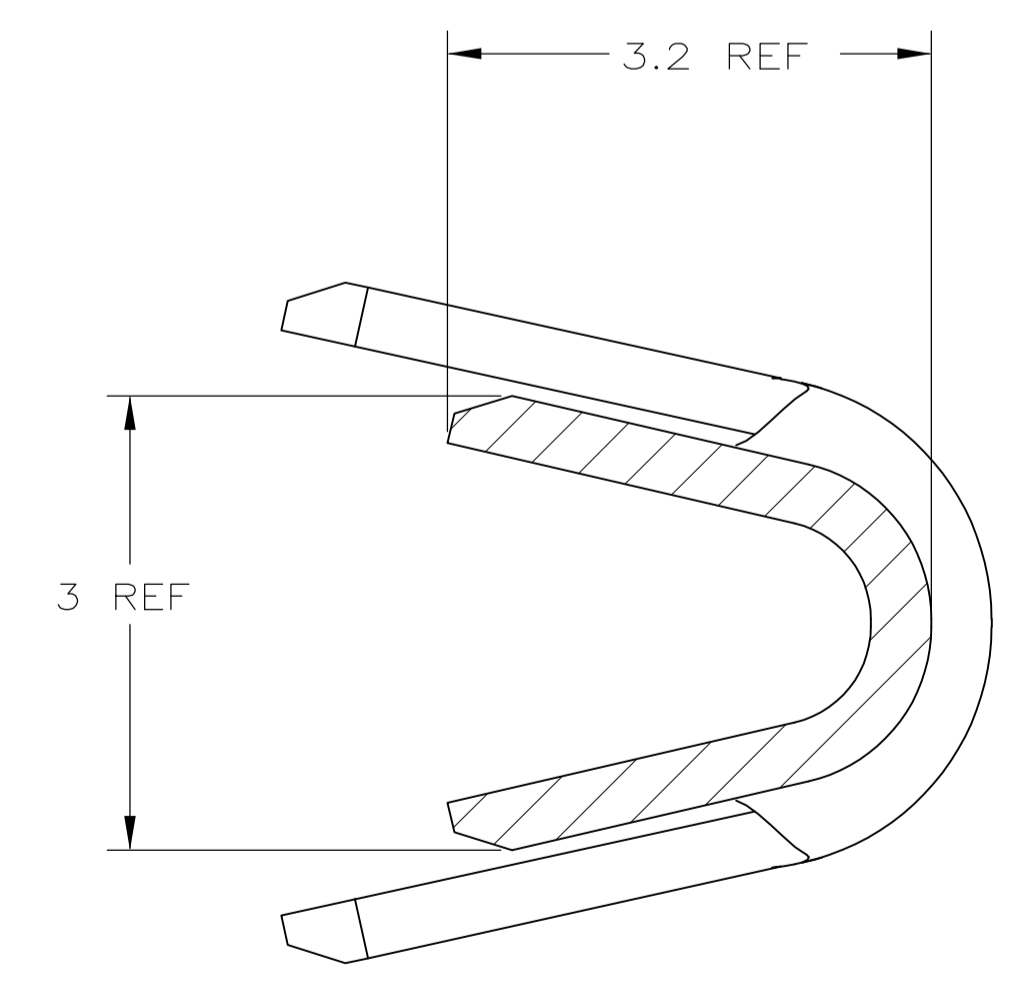
SCALE 5:1

- 1 MATERIAL: BRASS
- 2 MATERIAL: HIGH CONDUCTIVITY COPPER ALLOY
- 3 FINISH: CONTACT MATING AREA .38μm MIN Au; CRIMP AREA 2.03μm MIN. Sn; UNDERPLATE OVERALL 1.27μm MIN. Ni
- 4 FINISH: CONTACT MATING AREA 1.27μm MIN Au; CRIMP AREA 2.03μm MIN. Sn; UNDERPLATE OVERALL 1.27μm MIN Ni
- 5 CONTACT SHOWN W/O CARRIER, OR HIDDEN LINES, FOR CLARITY
- 6 CUT OFF TO BE .13 MAX
- 7 INSULATION DIAMETER : 2.0-3.1 mm
- 8 WIRE DIAMETER: 16-20 AWG
- 10 THIS PRODUCT HAS NOT COMPLETED VALIDATION TESTING.
- 11 FINISH: ENTIRE CONTACT 1.27μm MIN Au; UNDERPLATE OVERALL 1.27μm MIN Ni

SCALE 12:1



SECTION A-A  
SCALE 20:1



SECTION B-B  
SCALE 20:1

| 2        | 6           | 11     | 11.4    | 1-1489128-6 |
|----------|-------------|--------|---------|-------------|
| 2        | 6           | 11     | 9.8     | 1-1489128-5 |
| 1        | 6           | 11     | 11.4    | 1-1489128-4 |
| 1        | 6           | 11     | 9.8     | 1-1489128-3 |
| 2        | -           | 4      | 11.4    | 1-1489128-0 |
| 2        | -           | 4      | 9.8     | 1489128-9   |
| 1        | -           | 3      | 11.4    | 1489128-8   |
| 1        | -           | 3      | 9.8     | 1489128-7   |
| 1        | -           | 4      | 11.4    | 1489128-3   |
| 1        | -           | 4      | 9.8     | 1489128-2   |
| MATERIAL | LOOSE PIECE | FINISH | DIM "A" | PART NO     |

THIS DRAWING IS A CONTROLLED DOCUMENT. **Tyco Electronics** Tyco Electronics Corporation, Middletown, Pa 17057

AL FRANTUM 15 MAY 02

PRODUCT SPEC: 108-1998  
 APPLICATION SPEC: 114-13067

MINI POWER DRAWER CRIMP PLUG CONTACT 16 - 20 GAUGE

SIZE: A1 CAGE CODE: 00779 DRAWING NO: 1489128

RESTRICTED TO: CUSTOMER DRAWING SCALE: 4:1 SHEET: 1 OF 1 REV: C

## X-ON Electronics

Largest Supplier of Electrical and Electronic Components

*Click to view similar products for [Heavy Duty Power Connectors](#) category:*

*Click to view products by [TE Connectivity](#) manufacturer:*

Other Similar products are found below :

[647757-1](#) [6643411-1](#) [6646058-2](#) [6646137-1](#) [6646138-1](#) [6646479-1](#) [6646608-1](#) [6646786-1](#) [6646940-1](#) [6651091-1](#) [6651525-1](#) [6651529-1](#)  
[6651788-1](#) [696475-1](#) [702-32-01109](#) [703-25-02205](#) [73000005059](#) [73000005642](#) [73080255059](#) [73080965046](#) [765-15-0080A](#) [765-16-0080B](#)  
[765-18-0080D](#) [829992-1](#) [902-77-02113](#) [PS00/A0620/6300](#) [PS25/A0420/63](#) [129-1J](#) [1409400](#) [AN0024023](#) [E6374G1](#) [e6389g2](#) [157-43GW8](#)  
[MS3117-14AC](#) [1643543-1](#) [1650540-1](#) [1651811-2](#) [1766260-1](#) [1766282-1](#) [1766966-1](#) [1791340000](#) [NLDFT-3-BL-L-S120-M40A](#) [NLDFT-N-](#)  
[W-L-C240-M40B](#) [NLS-2-R-C240-M40B](#) [NLS-N-W-C240-M40B](#) [NPS-3-BL-T6](#) [1986615-1](#) [2-1589900-8](#) [2199314-1](#) [KA8102](#)