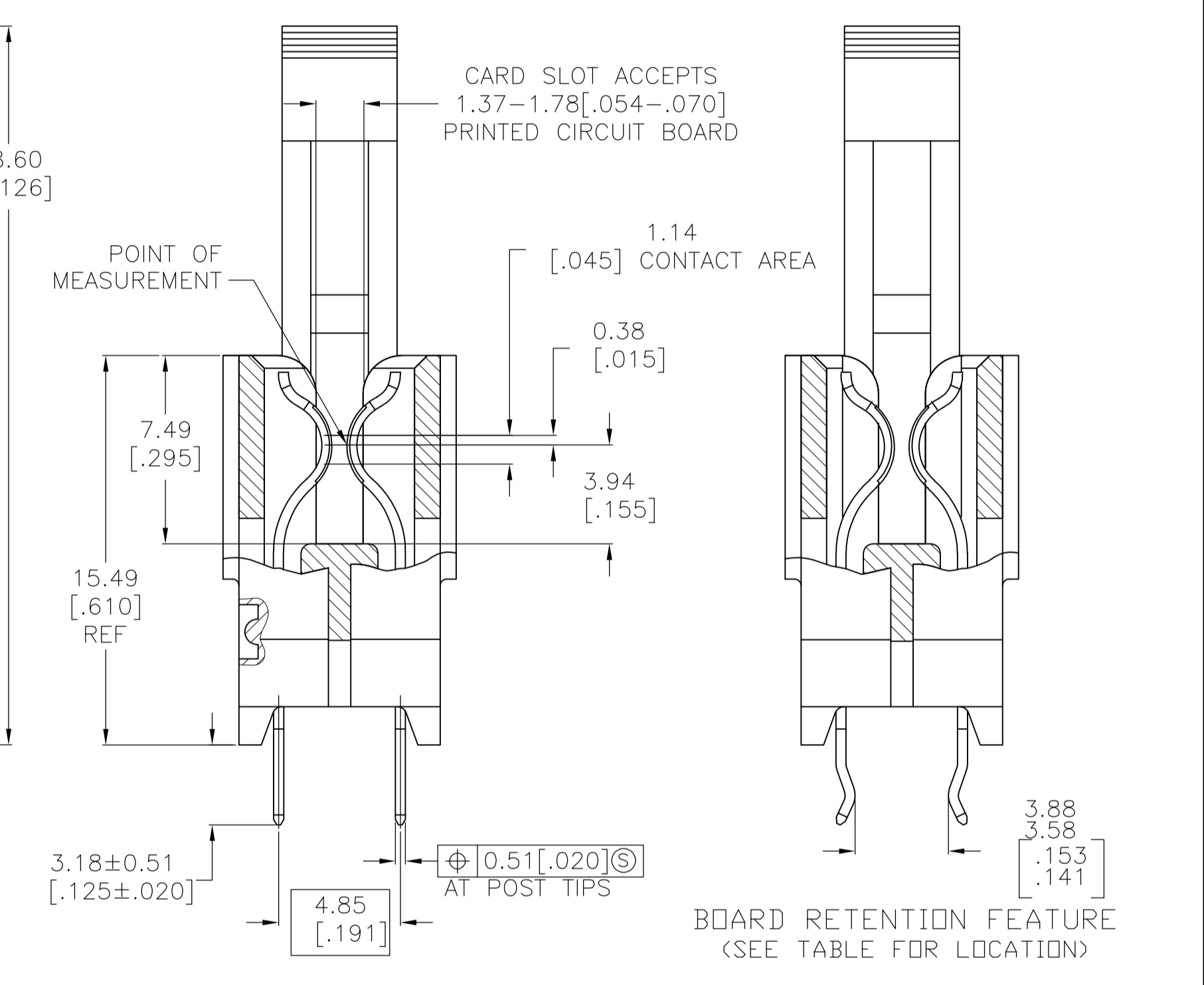


- MATERIAL:
HOUSING: GLASS FILLED POLYESTER; COLOR: BLACK
CONTACT: HIGH CONDUCTIVITY COPPER
- FINISH:
(SEE TABLE) GOLD PLATE IN CONTACT AREA,
0.00254[.000100] MIN TIN-LEAD ON SOLDER POSTS, ALL
OVER 0.00127[.000050] MIN NICKEL
- 0.00038[.000015] MIN
- 0.00076[.000030] MIN
- AMP LOGO, TE PART NUMBER, DATE CODE AND CSA LOGO INK
STAMPED WHITE (HOT STAMPED OR LAZER PRINTED) IN THE APPROXIMATE
AREA SHOWN, EITHER SIDE PERMISSIBLE, WHEN HOUSING SIZE PERMITS
- DATUMS AND BASIC DIMENSIONS ESTABLISHED BY CUSTOMER
- CONNECTORS SHOWN ARE USED IN APPLICATIONS WITH VRM MODULES WEIGHING
3 OUNCES OR LESS. ALTERNATE CONNECTOR AND LATCH METHOD IS AVAILABLE FOR
VRM MODULES WEIGHING UP TO 6 OUNCES.
- CAUTION: LATCHES ARE INTENDED FOR RETENTION OF PC BOARD TO CONNECTOR.
DO NOT ATTEMPT TO FULLY EJECT PC BOARD FROM CONNECTOR WHILE DISENGAGING
LATCHES. DAMAGE TO LATCHES AND/OR CONNECTOR MAY OCCUR
- THE LATCH ON PART NUMBER 1489165-5 IS DESIGNED WITH A HIGHER OPENING
FORCE THAN PART NUMBER 1489165-1



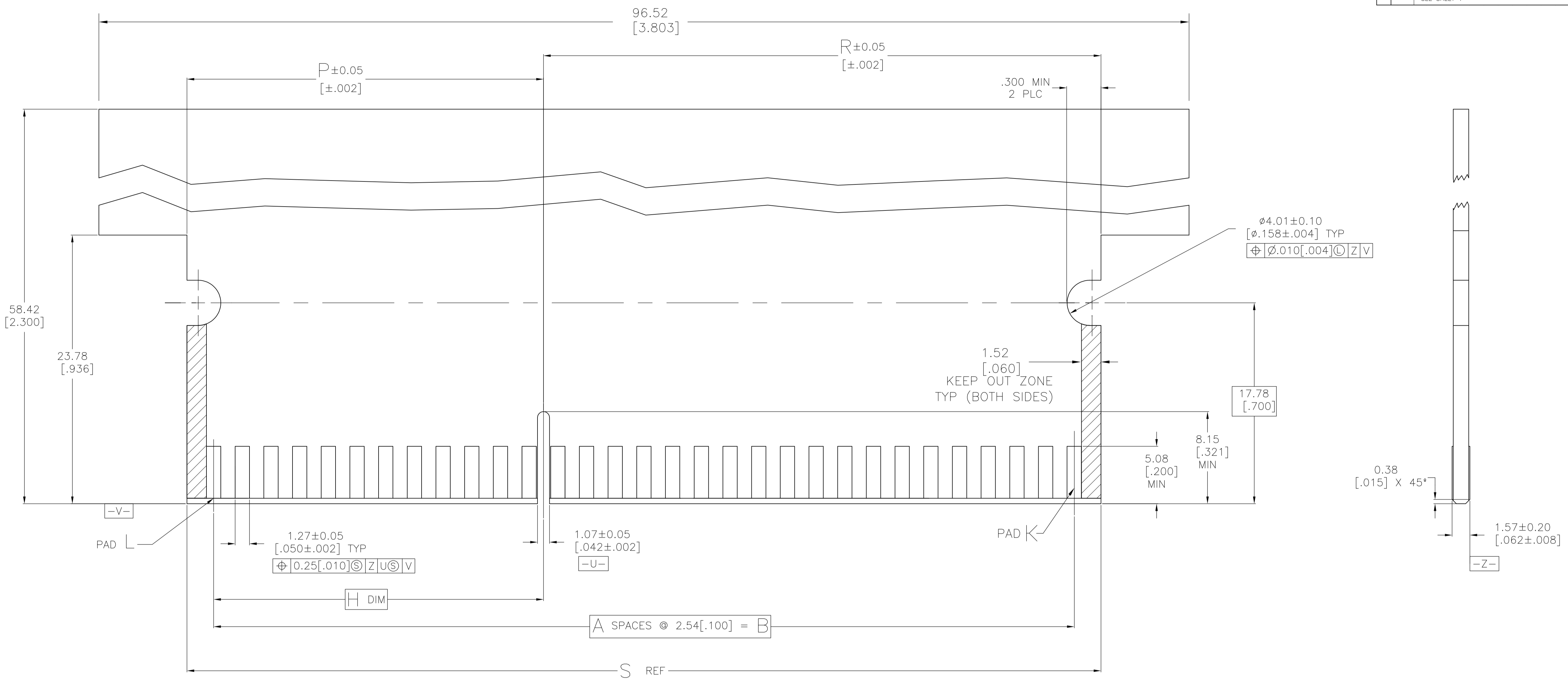
OBsolete	1489165-2
PART NUMBER	

BLACK	9.1, +12V	2,3,29,30,33,34,60,61	12 & 13	6	4	80.92 [3.183]	49.35 [1.943]	31.50 [1.240]	62	32	31	29.21 [1.150]	97.10 [3.823]	113.00 [4.449]	99.92 [3.934]	90.02 [3.544]	82.52 [3.249]	76.20 [3.000]	30	31	1489165-6
WHITE	9.1, +12V	2,3,29,30,33,34,60,61	12 & 13	6	3	80.92 [3.183]	49.35 [1.943]	31.50 [1.240]	62	32	31	29.21 [1.150]	97.10 [3.823]	113.00 [4.449]	99.92 [3.934]	90.02 [3.544]	82.52 [3.249]	76.20 [3.000]	30	31	1489165-5
BLACK	-	2,3,12,13,16,17,26,27	24 & 25	28	3	37.67 [1.483]	26.49 [1.043]	11.18 [.440]	28	15	14	8.89 [.350]	53.92 [2.123]	69.82 [2.749]	56.74 [2.234]	46.84 [1.844]	39.34 [1.549]	33.02 [1.300]	13	14	1489165-4
BLACK	9.05, +12V	2,3,29,30,33,34,60,61	11 & 12	6	3	80.92 [3.183]	51.89 [2.043]	28.96 [1.140]	62	32	31	26.67 [1.050]	97.10 [3.823]	113.00 [4.449]	99.92 [3.934]	90.02 [3.544]	82.52 [3.249]	76.20 [3.000]	30	31	1489165-3
BLACK	9.1, +12V	2,3,29,30,33,34,60,61	12 & 13	6	3	80.92 [3.183]	49.35 [1.943]	31.50 [1.240]	62	32	31	29.21 [1.150]	97.10 [3.823]	113.00 [4.449]	99.92 [3.934]	90.02 [3.544]	82.52 [3.249]	76.20 [3.000]	30	31	1489165-1
LATCH COLOR	VRM DESIGNATION	RETENTION FEATURE LOCATION	MOLDED-IN KEYING FEATURE LOCATED BETWEEN PINS	OMITTED PIN AND HOLE	FINISH	S	R	P	L	K	J	H	G	F	E	D	C	B	A	NO OF DUAL POSN	PART NUMBER

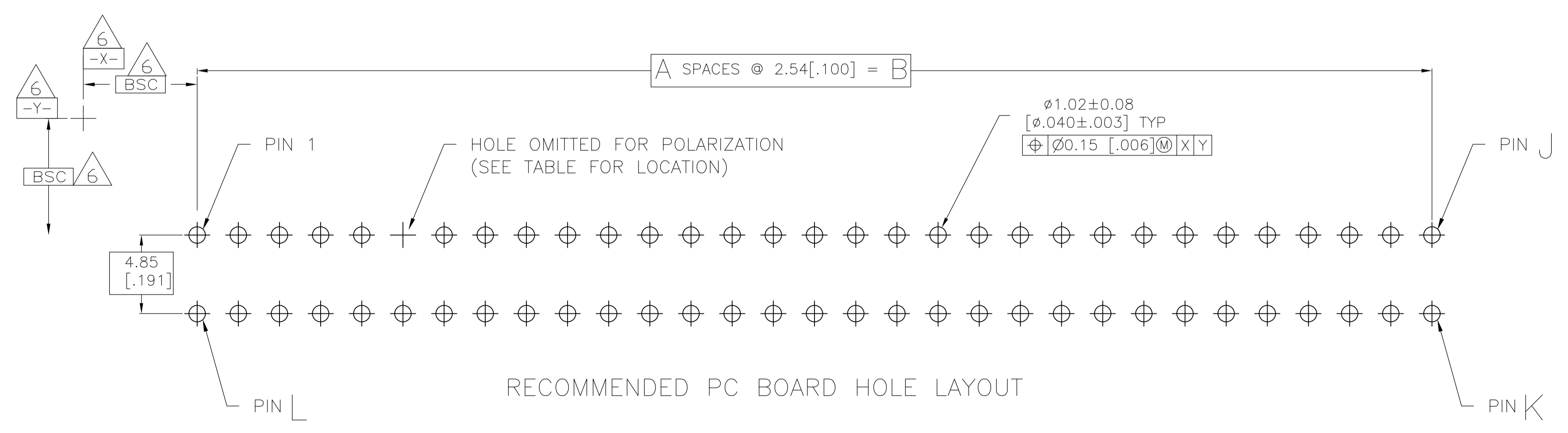
THIS DRAWING IS A CONTROLLED DOCUMENT.

DIMENSIONS: mm [INCHES]	TOLERANCES UNLESS OTHERWISE SPECIFIED:	DIN NF/LA.MAYER 26MAR2008	AWF
0 PLC ± -	1 PLC ± -	AWF	AWF
2 PLC ± 0.13[.005]	3 PLC ± -	S.FLICKINGER	26MAR2008
4 PLC ± -	ANGLES ± 2°	NAME	NAME
SEE NOTE 1	SEE NOTE 2	PRODUCT SPEC	CONNECTOR ASSEMBLY, HIGH CURRENT CARD EDGE, DUAL POSITION, 2.54[.100] CENTERLINE
		APPLICATION SPEC	108-9039-2
		SIZE	114-13018
		WEIGHT	00779
		SCALE	5:1
		SHEET	1 OF 2
		REV	J

Customer Drawing



RECOMMENDED MATING BOARD EDGE CONFIGURATION



RECOMMENDED PC BOARD HOLE LAYOUT

THIS DRAWING IS A CONTROLLED DOCUMENT.		DIN NF/LA.MAYER 26MAR2008		Tyco Electronics Tyco Electronics Corporation Harrisburg, PA 17105-3608	
DIMENSIONS: mm [INCHES]		TOLERANCES UNLESS OTHERWISE SPECIFIED:		APVD S.FLICKINGER 26MAR2008	
0 PLC ± -		1 PLC ± -		NAME	
2 PLC ± 0.13[.005]		3 PLC ± -		CONNECTOR ASSEMBLY, HIGH CURRENT CARD EDGE, DUAL POSITION, 2.54[.100] CENTERLINE	
4 PLC ± -		ANGLES ± 2°		APPLICATION SPEC	
MATERIAL SEE NOTE 1		FINISH SEE NOTE 2		SIZE CAGE CODE DRAWING NO RESTRICTED TO	
				114-13018	
				WEIGHT	
				A1 00779 C=1489165	
				CUSTOMER DRAWING	
				SCALE 5:1 SHEET 2 OF 2 REV J	

X-ON Electronics

Largest Supplier of Electrical and Electronic Components

Click to view similar products for [Standard Card Edge Connectors](#) category:

Click to view products by [TE Connectivity](#) manufacturer:

Other Similar products are found below :

[6565204-6](#) [PKC-156](#) [1437274-4](#) [147889-1](#) [1489165-4](#) [EBT156-12B1X](#) [EBT15622B2X](#) [EBT156-22R2W](#) [1-582587-1](#) [1-582589-1](#) [2-6437275-9](#) [284-0102-12100](#) [306022901000000](#) [307-012-502-202](#) [307-024-526-201](#) [307-056-520-300](#) [307-080-526-208](#) [1926088-2](#) [245-062-520-350](#) [287-0032-12101](#) [306-010-500-112](#) [306-028-525-102](#) [306-240-318](#) [307-036-502-202](#) [307-036-521-301](#) [307-072-526-202](#) [345-060-559-303](#) [368-004-520-201](#) [392-008-559-201](#) [534671-1](#) [5-530501-5](#) [341-240-317](#) [345-029-520-300](#) [345-030-500-301](#) [345-044-500-300](#) [345-220-058](#) [346-240-318](#) [357-030-526-201](#) [387-012-523-300](#) [395-044-520-300](#) [395-100-524-300](#) [50-12B-10](#) [50-6SN-5](#) [09-07-2032](#) [10035388-106LF](#) [10035388-802LF](#) [10115859-011LF](#) [10122859-009LF](#) [101269333204245CLF](#) [10127905-B04B24BLF](#)