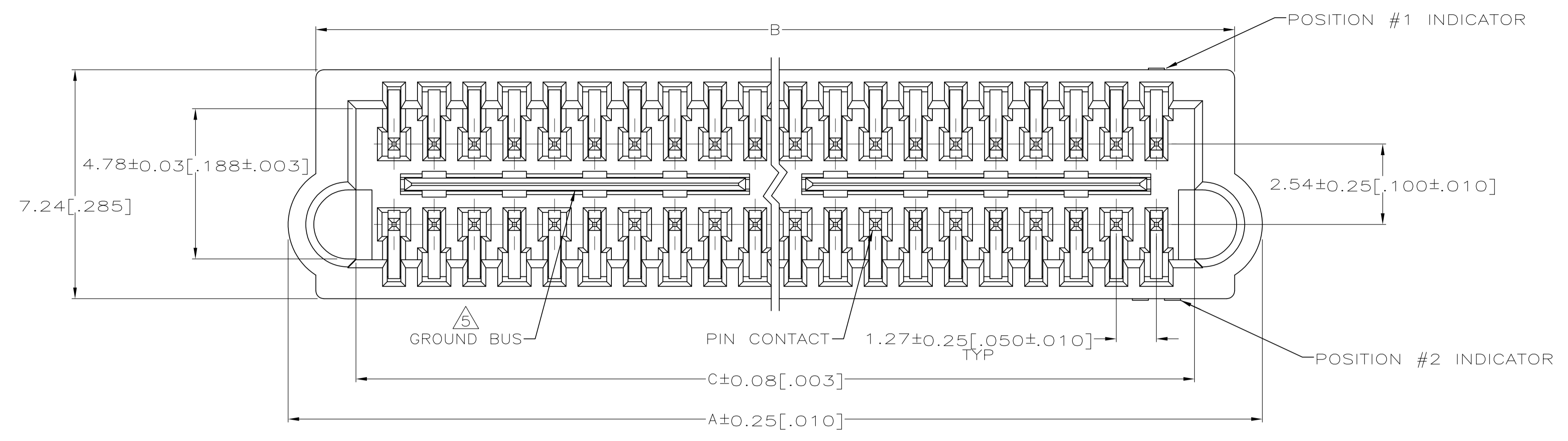
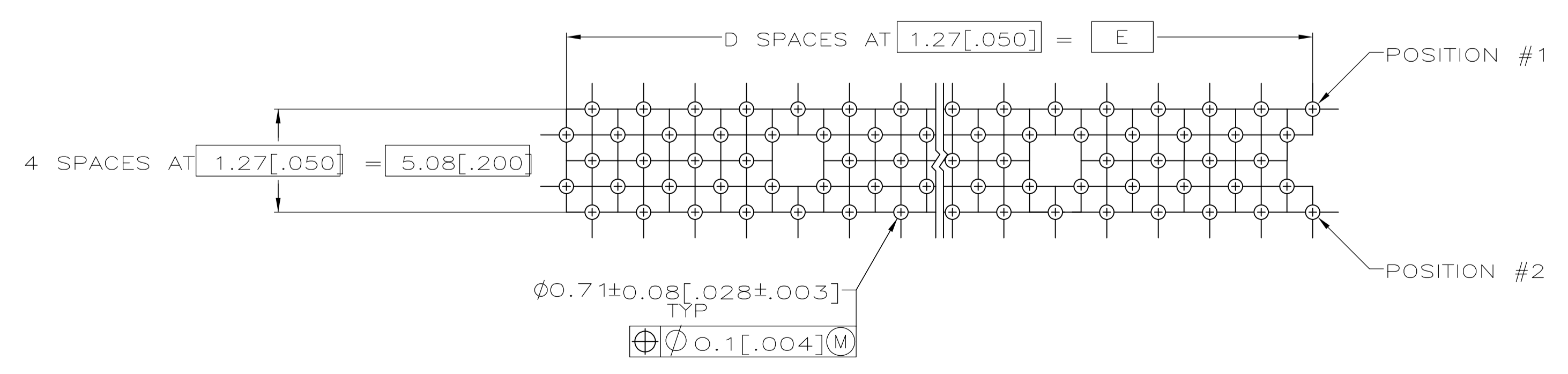
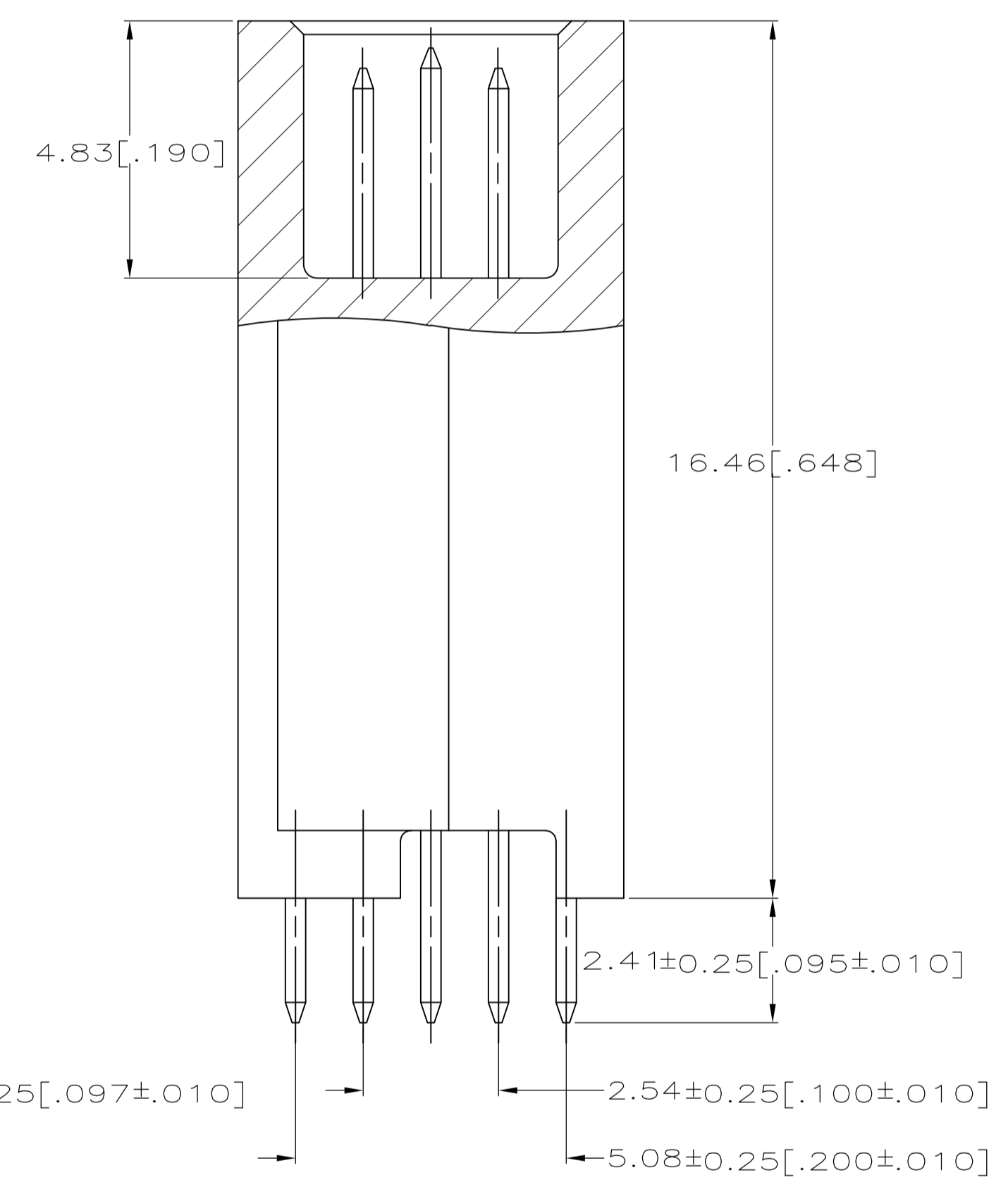
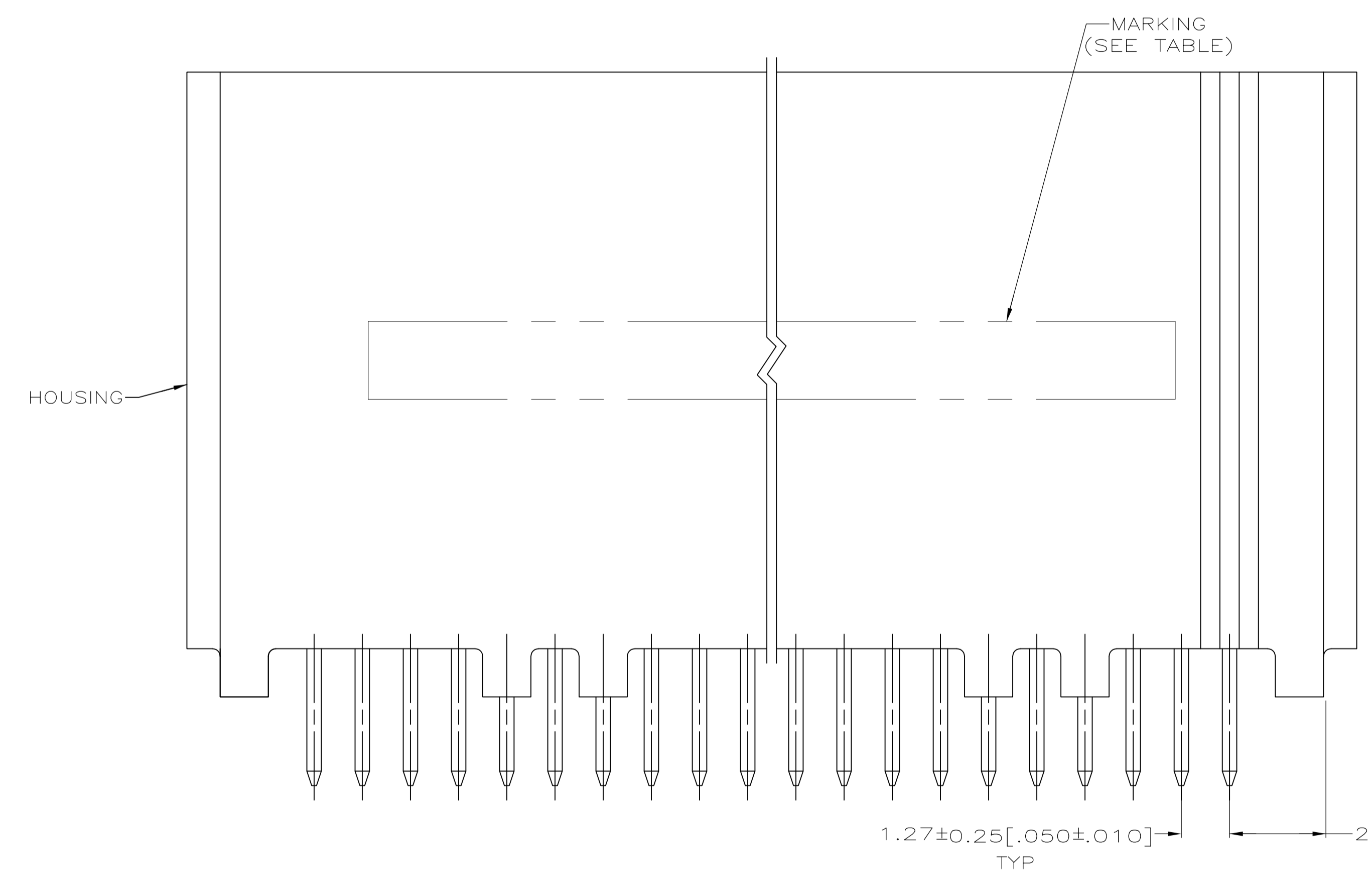


REVISIONS				
P	LTR	DESCRIPTION	DATE	APP'D
D		REVISED PER ECO-16-010704	20JUL2016	SY SY



- ① HOUSING: HIGH TEMPERATURE THERMOPLASTIC, COLOR NATURAL OR LIGHT NATURAL.
PIN CONTACTS: PHOSPHOR BRONZE.
GROUND BUSES: PHOSPHOR BRONZE.
- ② PIN CONTACTS: 0.00076[.000030] MIN GOLD IN CONTACT AREA, 0.00254-0.00762[.000100-.000300] TIN-LEAD ON SOLDER TAIL, ALL OVER 0.00127-0.00254[.000050-.000100] NICKEL ON ENTIRE CONTACT.
- GROUND BUSES: 0.00076[.000030] MIN GOLD IN CONTACT AREA, 0.00254-0.00762[.000100-.000300] TIN-LEAD ON SOLDER TAIL, ALL OVER 0.00127-0.00254[.000050-.000100] NICKEL ON ENTIRE BUS.
- ③ AMP AND DATE CODE MARKED IN AREA INDICATED, ON SAME SIDE AS POSITION NUMBER 2 INDICATOR.
- ④ AMP, DATE CODE AND PART NUMBER MARKED IN AREA INDICATED, ON SAME SIDE AS POSITION NUMBER 2 INDICATOR.
- ⑤ ONE GROUND BUS WITH 4 TAILS PER EACH 20 PIN CONTACTS.



	125.73[4.950]	99	128.22[5.048]	130.81[5.150]	132.44[5.214]	200	149009-9
	113.03[4.450]	89	115.52[4.548]	118.11[4.650]	119.74[4.714]	180	149009-8
	100.33[3.950]	79	102.82[4.048]	105.41[4.150]	107.04[4.214]	160	149009-7
OBSOLETE	87.63[3.450]	69	90.12[3.548]	92.71[3.650]	94.34[3.714]	140	149009-6
	74.93[2.950]	59	77.42[3.048]	80.01[3.150]	81.64[3.214]	120	149009-5
	62.23[2.450]	49	64.72[2.548]	67.31[2.650]	68.94[2.714]	100	149009-4
	49.53[1.950]	39	52.02[2.048]	54.61[2.150]	56.24[2.214]	80	149009-3
OBSOLETE	36.83[1.450]	29	39.32[1.548]	41.91[1.650]	43.54[1.714]	60	149009-2
	24.13[0.950]	19	26.62[1.048]	29.21[1.150]	30.84[1.214]	40	149009-1
MARKING	E	D	C	B	A	NO OF POS	PART NUMBER

THIS DRAWING IS A CONTROLLED DOCUMENT.

DIMENSIONS: mm [INCHES]	TOLERANCES UNLESS OTHERWISE SPECIFIED:	DIN J. GERACE 11-22-94	STE TE Connectivity
0. PLC ± -	1. PLC ± -	CIK P. MATAR 11-22-94	NAME
2. PLC ± -	3. PLC ± 0.13[0.005]	APVD A. MONK 11-22-94	PRODUCT SPEC
4. PLC ± -	ANGLES ± -		108-1272
MATERIAL	FINISH	APPLICATION SPEC	114-11005
		WEIGHT	0.000000
		SIZE	A1
		CAGE CODE	149009
		DRAWING NO	00779
		RESTRICTED TO	
		CUSTOMER DRAWING	
		SCALE	10:1
		SHEET	1 OF 1
		REV	D

X-ON Electronics

Largest Supplier of Electrical and Electronic Components

Click to view similar products for [High Speed/Modular Connectors](#) category:

Click to view products by [TE Connectivity](#) manufacturer:

Other Similar products are found below :

[650827-1](#) [74040-1346](#) [1410191-1](#) [1410368-3](#) [1410964-2](#) [1410326-3](#) [1410367-3](#) [1410971-4](#) [1467833-1](#) [2000877-1](#) [2000878-1](#) [2041314-1](#)
[2065387-1](#) [2187307-1](#) [163P](#) [1934290-1](#) [2000875-1](#) [2065917-1](#) [2102736-2](#) [FSR-40](#) [2169868-2](#) [22354-8](#) [437-5040-000](#) [5-1393565-0](#) [039-](#)
[0246-000](#) [0740618502](#) [0761601016](#) [0784461022](#) [10123159-12ELF](#) [030-2415-003/100 PK](#) [030-7380-004](#) [030-2494-001](#) [532939-1](#) [5532901-](#)
[3](#) [3-1469268-7](#) [74748-102LF](#) [10041743-101LF](#) [10066670-100002LF](#) [1-533915-1](#) [249-4515-000](#) [7-1469373-3](#) [DL2-2J/S](#) [2000713-8](#)
[2000713-7](#) [10124313-101LF](#) [3011-21](#) [757105208](#) [430305-001](#) [4395800100](#) [8140115](#)