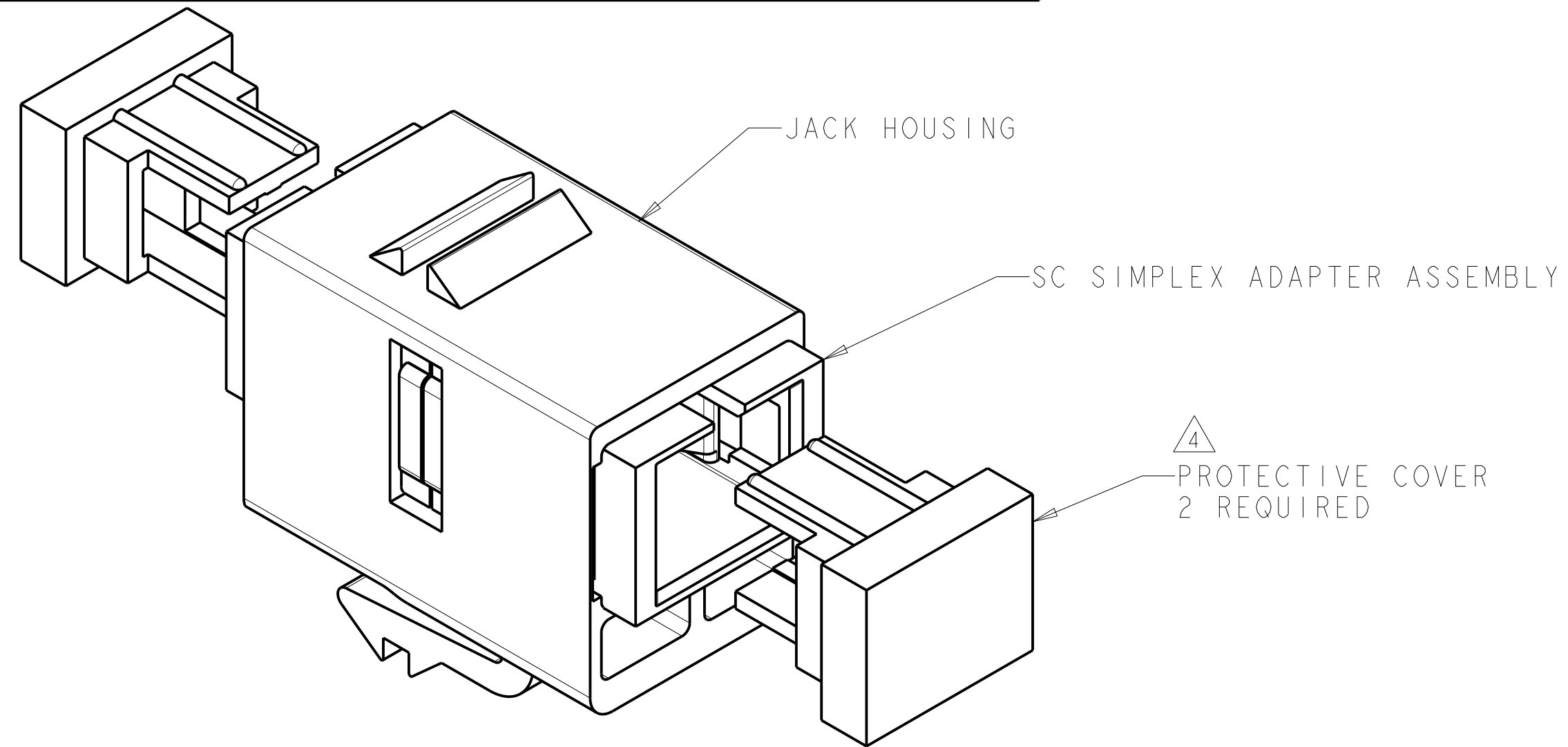
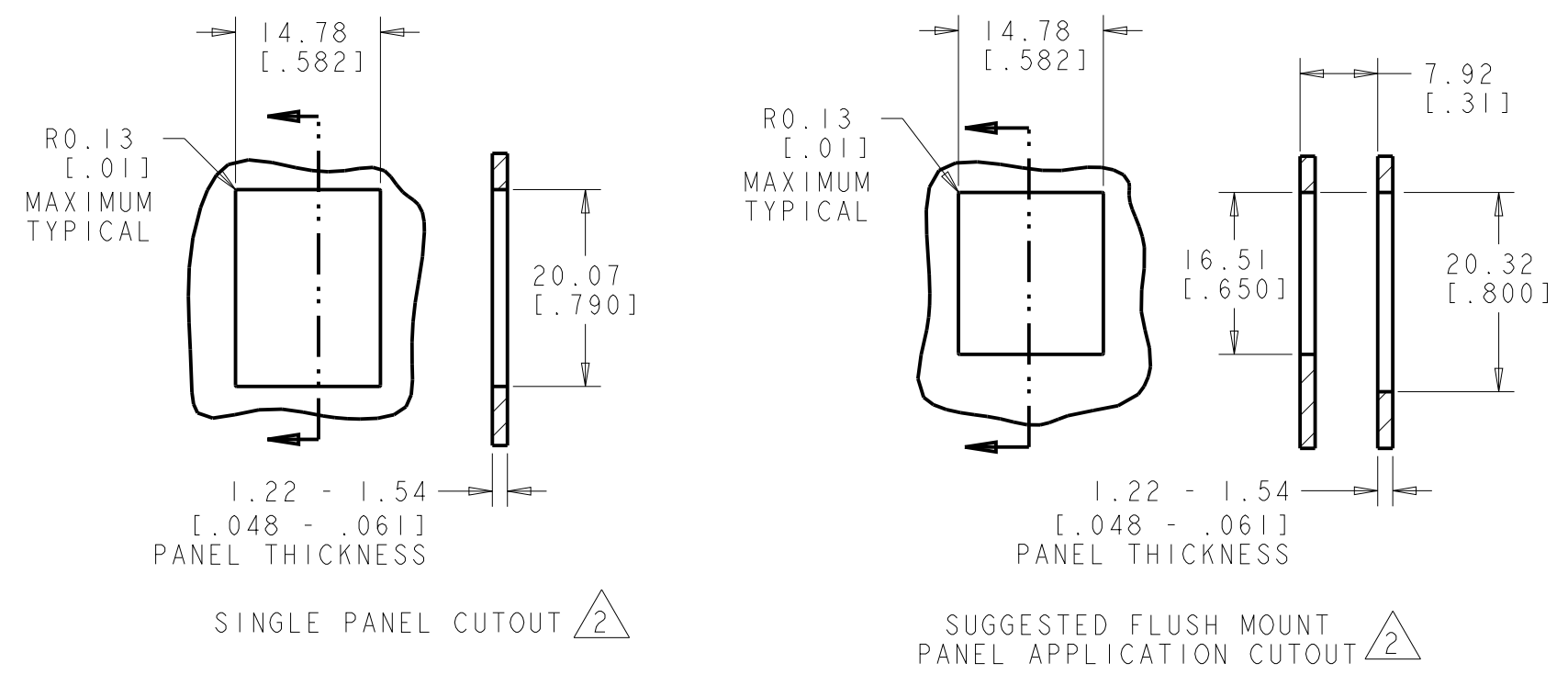
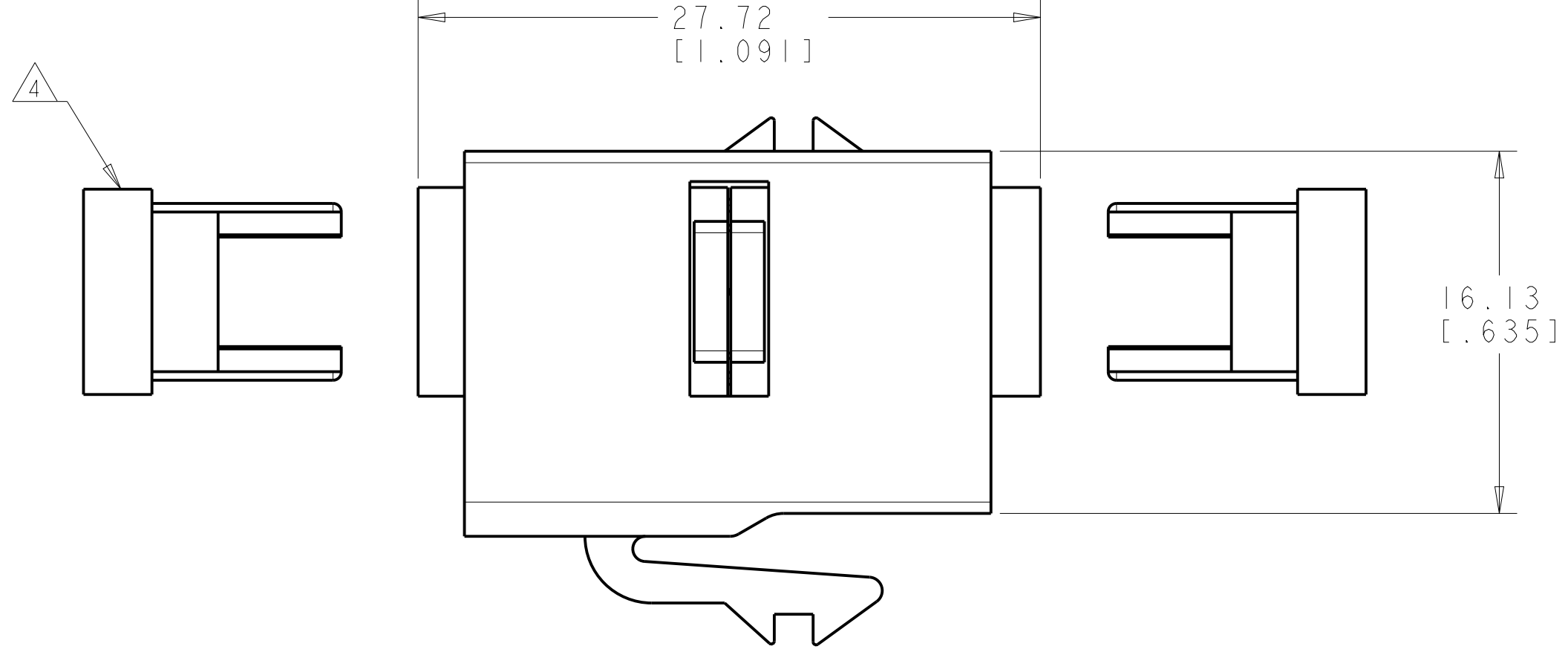
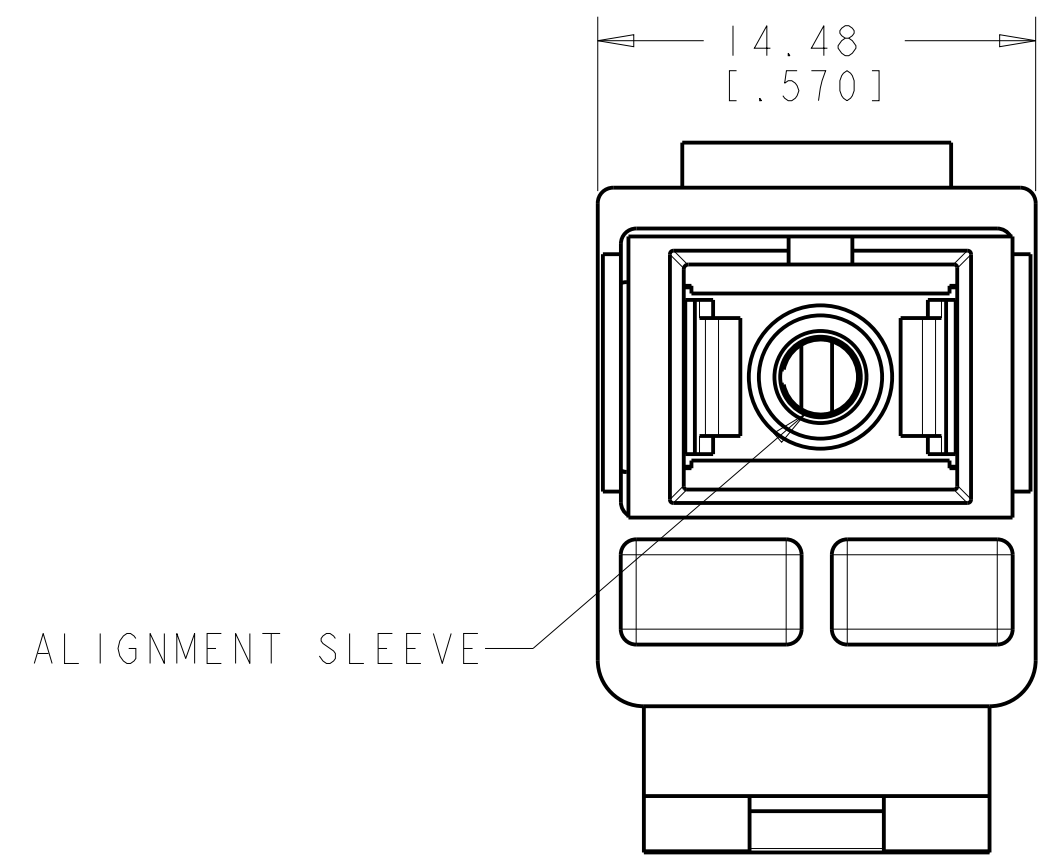


THIS DRAWING IS UNPUBLISHED. RELEASED FOR PUBLICATION
 © 2016 COMMSCOPE, INC. CONFIDENTIAL NOTICE: THESE DRAWINGS AND SPECIFICATIONS ARE THE PROPRIETARY PROPERTY OF COMMSCOPE, INC. AND MAY BE USED ONLY FOR THE SPECIFIC PURPOSE AUTHORIZED IN WRITING BY COMMSCOPE, INC.

REVISIONS				
P	LTR	DESCRIPTION	DATE	APVD
C		REV; ECO-11-007274	08APR2011	GG RA
D		REV; ECO-14-000046	02JAN2014	GG RA
E		REV PER BNS_CD_BRAND	08FEB2017	GG DC



- ① MATERIAL: JACK HOUSING - POLYPHENYLENE OXIDE, 94V-0 RATED. SEE TABLE FOR COLOR. SC DUPLEX ADAPTER HOUSING - ULTEM 1010R, BLACK. SLEEVE - CERAMIC.
- ② THESE TWO SUGGESTED CUTOUT OPENINGS ARE USED IN TANDEM WITH DUAL FRONT AND BACK CUTOUTS.
- ③ PACKAGED ONE ASSEMBLY PER POLYBAG.
- ④ PROTECTIVE COVERS SHIPPED ASSEMBLED BUT SHOWN NOT ASSEMBLED.



③	ALPINE WHITE	1-1499836-3
	ELECTRIC IVORY	1-1499836-1
	GREEN	1499836-9
	RED	1499836-7
	GRAY	1499836-4
	WHITE	1499836-3
	BLACK	1499836-2
	LIGHT ALMOND	1499836-1
PACKAGE	HOUSING COLOR	PART NUMBER

THIS DRAWING IS A CONTROLLED DOCUMENT.

DIMENSIONS: MM [INCHES]	TOLERANCES UNLESS OTHERWISE SPECIFIED:	DWN G. GARRETT 17 JAN 2006	NAME COMMSCOPE, INC.
	0 PLC ±	CHK G. BOWMAN 17 JAN 2006	
MATERIAL	1 PLC ±	APVD G. BOWMAN 17 JAN 2006	SIZE CAGE CODE DRAWING NO RESTRICTED TO
	2 PLC ±	PRODUCT SPEC	A2 C-1499836
3 PLC ±	APPLICATION SPEC	WEIGHT	SCALE 4:1 SHEET OF REV E
4 PLC ±	FINISH	Customer Drawing	

X-ON Electronics

Largest Supplier of Electrical and Electronic Components

Click to view similar products for [Modular Connectors / Ethernet Connectors](#) category:

Click to view products by [TE Connectivity](#) manufacturer:

Other Similar products are found below :

[8949-H88/06BLKA/SN](#) [74441-0010/BKN](#) [MP1010RX-1000](#) [MP44RX-1000](#) [PHJ-4P4C-1-V-4](#) [PHP-6P6C-5](#) [GAX-3-66](#) [GAX-8-62](#) [GDCX-PA-66-50](#) [GDCX-PN-64](#) [GDCX-PN-66](#) [GDCX-PN-66-50](#) [GDLX-A-66](#) [GDLX-N-66](#) [GDLX-S-66](#) [GDLX-S-88K](#) [GDTX-S-88-50](#) [GDX-PA-1010](#) [GLX-N-1010M-BLK](#) [GLX-S-88M-BLK](#) [GMX-N-1010](#) [GMX-S-1010](#) [GMX-S-66](#) [GMX-SMT4-N-88](#) [GPX-2-64](#) [GSGX-N-2-88](#) [GSGX-N-4-88](#) [GSX-NS2-88-3.05](#) [GSX-NS2-88-3.05-50](#) [GSX-NS-88-3.05-50](#) [PT-108A-8C-UL](#) [PT-J951-8C](#) [PTS-J531-8CS-50UL](#) [1-1775629-2](#) [A-2014-0-4](#) [GWLX-S-88-GR](#) [GWLX-S9-88-YG](#) [DC-1021-8-WH-6](#) [1300530003](#) [1324640-4](#) [RJ11FTVC2G](#) [RJ11FTVC2N](#) [RJFTVX2SA1G](#) [132764-001](#) [1413235](#) [MP88X-1000](#) [MPS88RX-5000](#) [E5288-S000K3-L](#) [E5908-15A242-L](#) [155302-001](#)