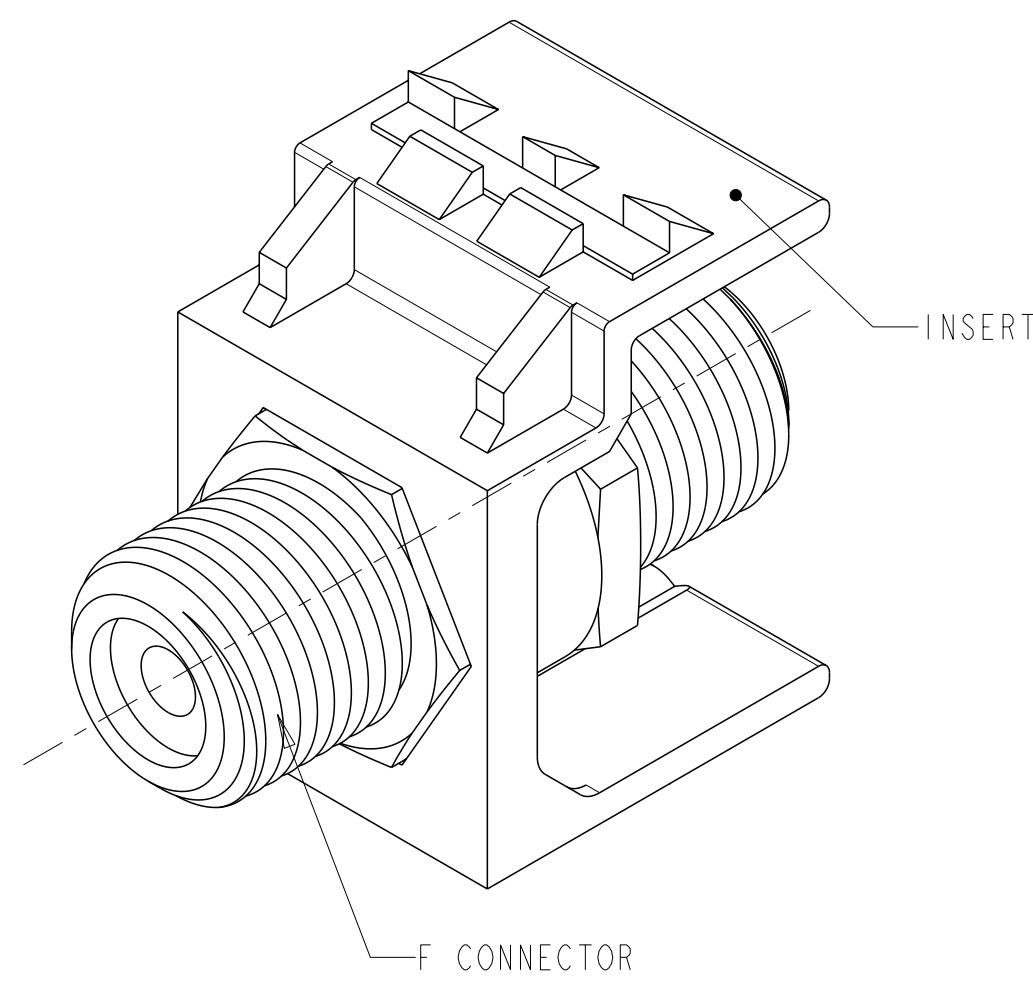


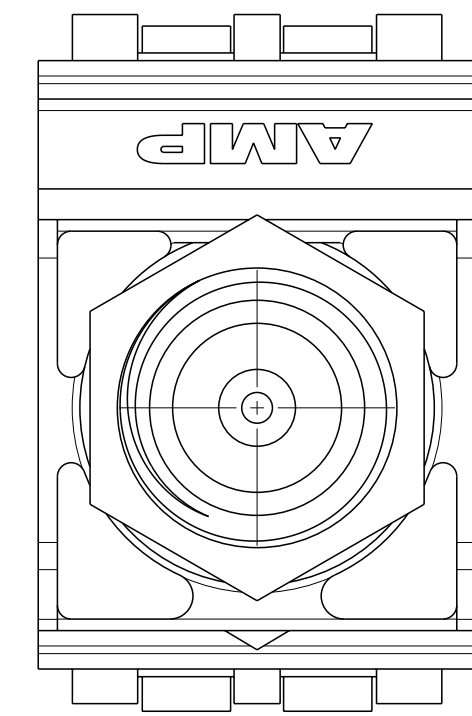
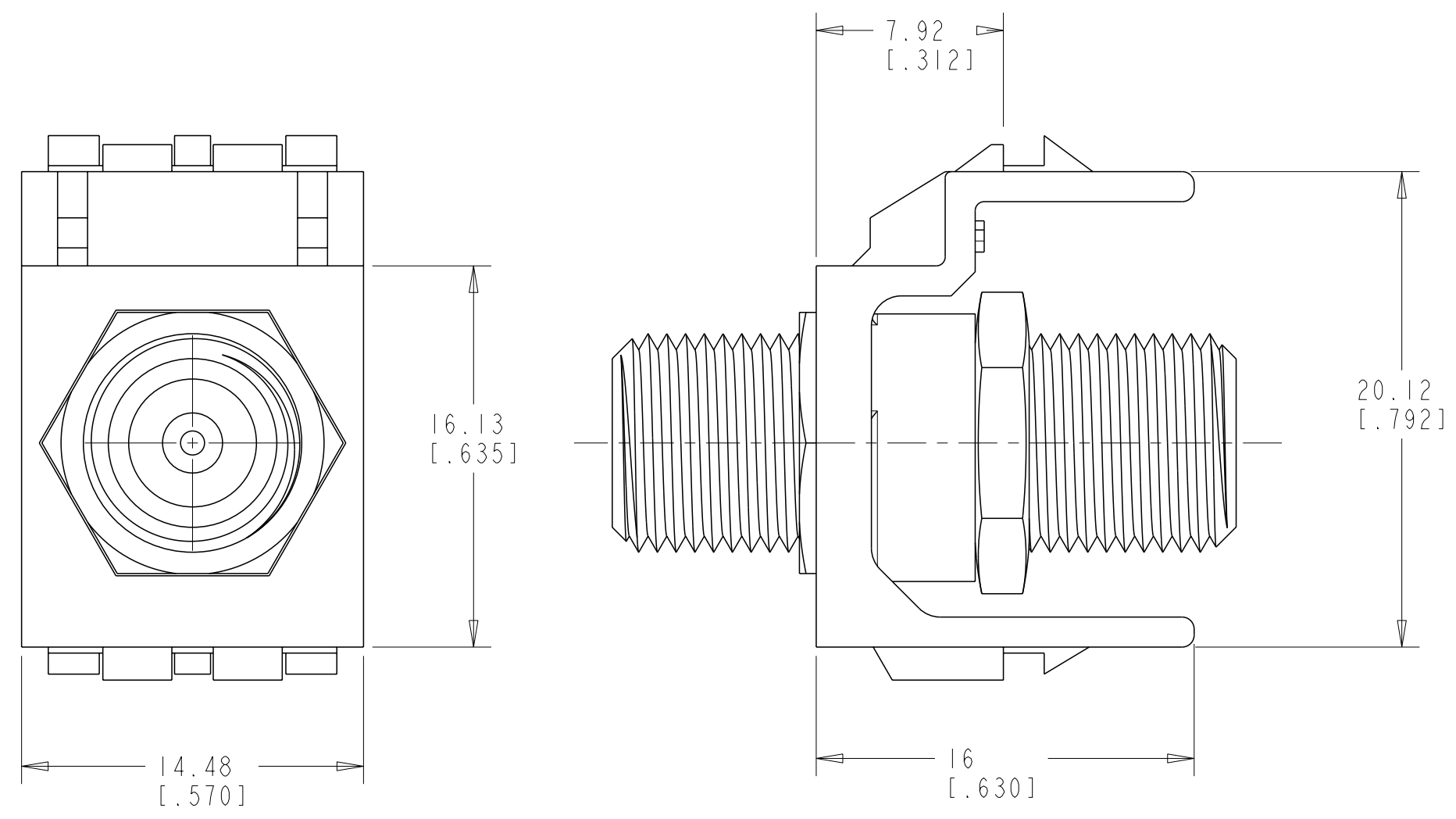
THIS DRAWING IS UNPUBLISHED. RELEASED FOR PUBLICATION  
 © COPYRIGHT 20 BY - ALL RIGHTS RESERVED.

LOC	DIST	REVISIONS					
HM	00	P	LTR	DESCRIPTION	DATE	DWN	APVD
		B		REV; ECO-10-010362	18MAY2010	GG	RA
		C		REV ECO-11-005530	17MAR2011	LH	RA
		D		REV; 40028489MCO	17FEB2016	GG	LS



1. MATERIAL:  
 INSERT: POLYCARBONATE MOLDING COMPOUND.  
 SEE TABLE FOR COLOR.  
 CONNECTOR: NICKEL PLATED ZINC.

2. ELECTRICAL SPECIFICATION:  
 IMPEDANCE: 75 Ohms.  
 INSULATION RESISTANCE: 500M Ohms.  
 WITHSTAND VOLTAGE: 500 VAC ONE MINUTE.  
 VOLTAGE RATING: 150 VAC.  
 DURABILITY: 500 CYCLES.  
 BANDWIDTH: -41.25dB@1.0GHz  
 -29.85dB@2.0GHz  
 -26.48dB@2.5GHz  
 -21.12dB@3.0GHz



ALPINE WHITE	I-1499855-3
ELEC IVORY	I-1499855-1
GRAY	I499855-4
WHITE	I499855-3
BLACK	I499855-2
LT ALMOND	I499855-1
COLOR	PART NO

THIS DRAWING IS A CONTROLLED DOCUMENT.		DWN	J MCNEAL	16 JAN 2006	TE Connectivity	NAME		ASSY, F INSERT, 3 GHz, SL SERIES	
DIMENSIONS:		CHK	G BOWMAN	23 MAR 2006		SIZE		A2	
mm		APVD	G BOWMAN	23 MAR 2006		CAGE CODE		00779	
TOLERANCES UNLESS OTHERWISE SPECIFIED:		PRODUCT SPEC		DRAWING NO		C-1499855		RESTRICTED TO	
0 PLC	±	APPLICATION SPEC		WEIGHT		SCALE		4:1	
1 PLC	±	-		-		SHEET		1	
2 PLC	±.13 [.005]	-		-		OF		1	
3 PLC	±	-		-		REV		D	
4 PLC	±	-		-		CUSTOMER DRAWING			
ANGLES	±	-		-		SCALE		4:1	
FINISH	-	-		-		SHEET		1	

## X-ON Electronics

Largest Supplier of Electrical and Electronic Components

*Click to view similar products for [RF Adapters - In Series](#) category:*

*Click to view products by [TE Connectivity](#) manufacturer:*

Other Similar products are found below :

[5916-1103-603](#) [5919-1503-000](#) [651A505](#) [82-5552](#) [9030-9523-502](#) [PN2C](#) [A0407000](#) [R114703000W](#) [R125771001](#) [R141710000W](#)  
[R141723161](#) [R141730000](#) [R143730700](#) [R143770000](#) [R161703000W](#) [R161753000W](#) [R161791530W](#) [R201705000](#) [R222705200](#)  
[R222M40010W](#) [R223703180](#) [R316754000](#) [R405006000](#) [R443162000](#) [AD78TL](#) [HRM-513S](#) [1996352-2](#) [2157155-1](#) [252169-75](#) [AD158](#)  
[2101130-1](#) [252186](#) [R114704000W](#) [R114720000W](#) [R125705001](#) [R125705701](#) [R125771000](#) [R125771001W](#) [R127704001](#) [R127.870.001](#)  
[R127872001](#) [R141717000](#) [R142710000](#) [R142723000](#) [R143703000](#) [R143704000](#) [R143705700](#) [R161715000W](#) [R161771000W](#) [R176754000](#)