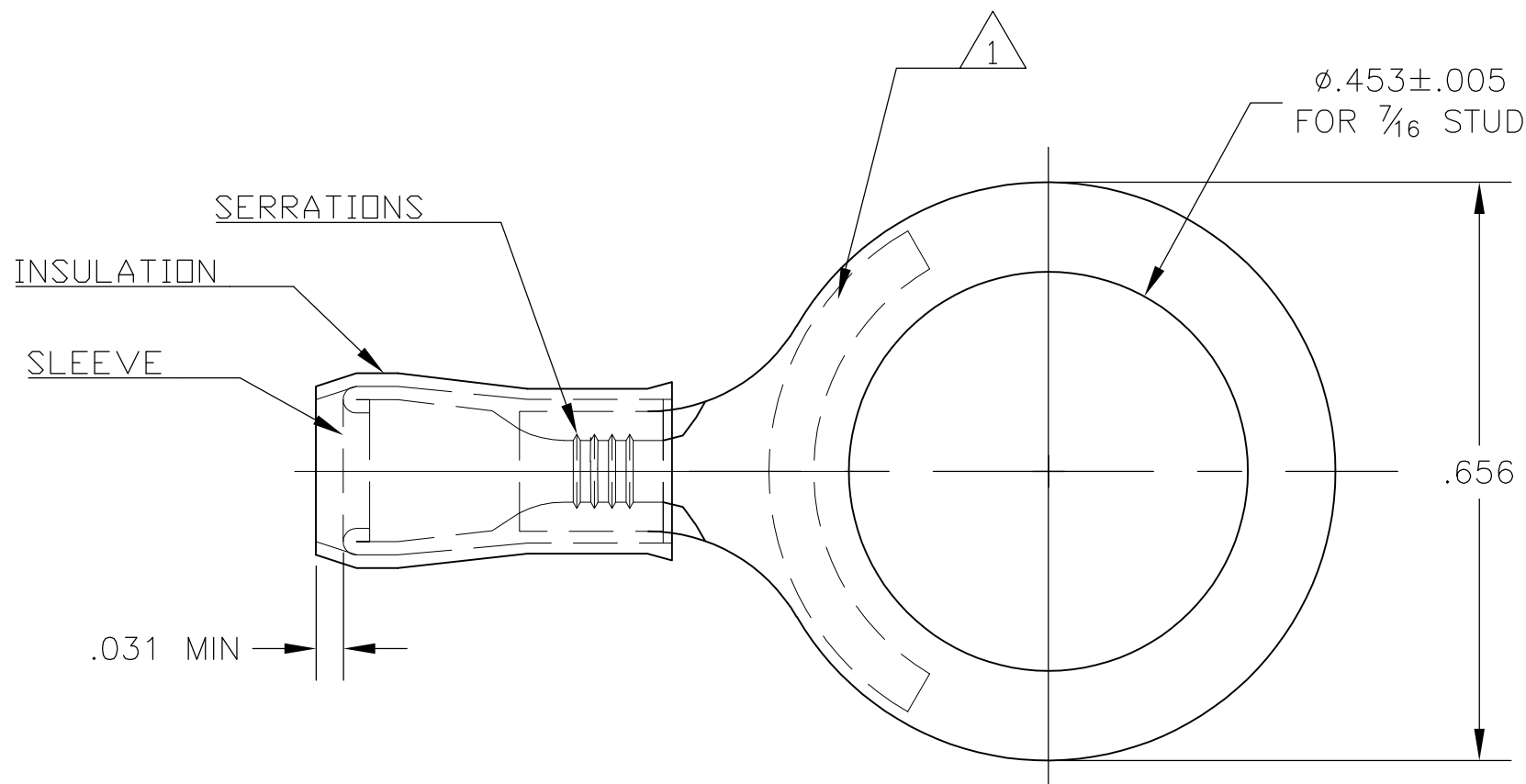
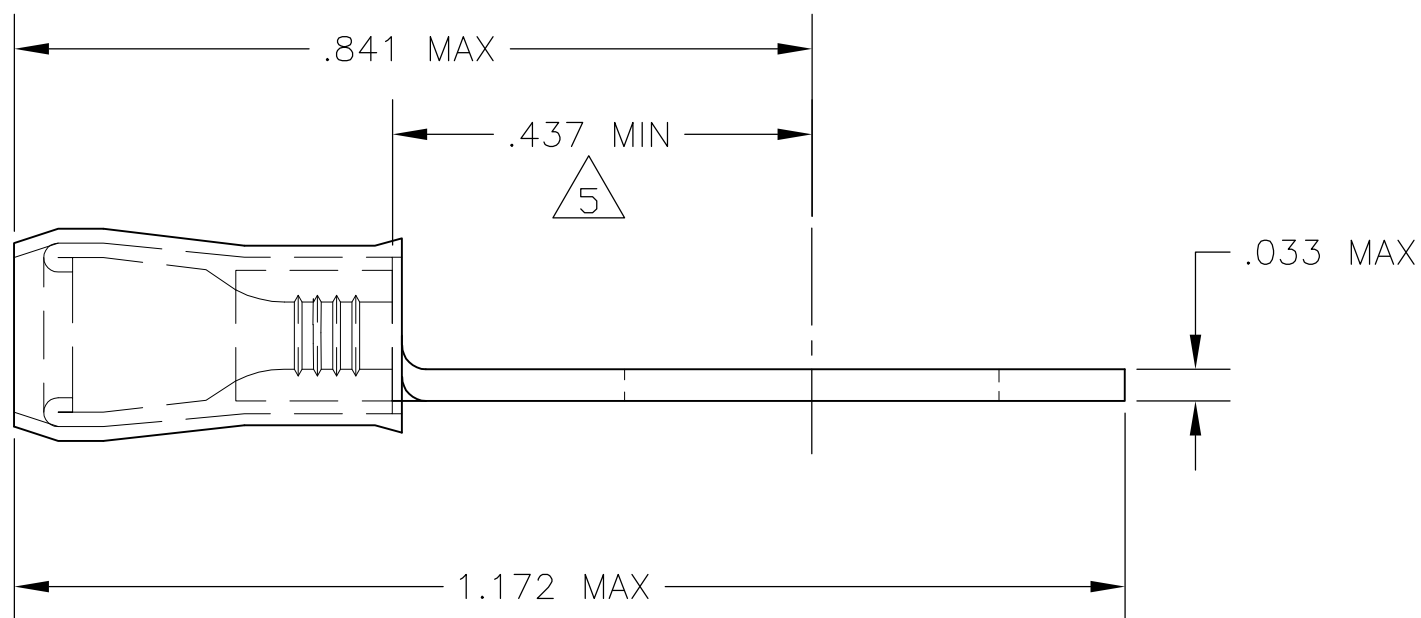


THIS DRAWING IS UNPUBLISHED. RELEASED FOR PUBLICATION
 © COPYRIGHT BY TYCO ELECTRONICS CORPORATION. ALL INTERNATIONAL RIGHTS RESERVED.

| LOC | DIST | REVISIONS | | | |
|-----|------|-------------|-----------------------|---------|----------|
| P | LTR | DESCRIPTION | DATE | DWN | APVD |
| G | 02 | A1 | REV PER ECR 10-004261 | 25FEB10 | JR TM |



- 1 STAMP "AMP 22-18", LOCATED APPROX AS SHOWN ON BOTTOM OF PART.
- 2 FOR INSULATION DIA OF .105 TO .140
- 3 MATERIAL
 BODY: COPPER PER ASTM B-152 ANNEALED
 SLEEVE: COPPER PER ASTM B-152
 INSULATION: NYLON
- 4 FINISH
 BODY: TIN PLATE PER ASTM B-545
 SLEEVE: TIN PL PER ASTM B-545
 INSULATION - COLOR-RED
- 5 APPLIES FROM EDGE OF METAL WIRE BARREL TO CENTER OF STUD HOLE.



150072-1
 PART NO

| | | | | | |
|---|--|------------------------------------|---|--------------------------|--------------------|
| THIS DRAWING IS A CONTROLLED DOCUMENT. | | DWN jr_ruth 25FEB10 | Tyco Electronics Corporation Harrisburg, PA 17105-3608 | | |
| DIMENSIONS: INCHES | | CHK TOM MICHIELUTTI 25FEB10 | NAME WIRE TERMINAL, RING TONGUE, PIDG, WIRE SIZE: 22-18 | | |
| TOLERANCES UNLESS OTHERWISE SPECIFIED: | | APVD TOM MICHIELUTTI 25FEB10 | PRODUCT SPEC - | | |
| 0 PLC ± - 1 PLC ± - 2 PLC ± - 3 PLC ± .008 4 PLC ± - ANGLES ± 5° | | APPLICATION SPEC - | | RESTRICTED TO - | |
| MATERIAL - 3 | | WEIGHT - | | SIZE A3 | CAGE CODE 00779 |
| FINISH - 4 | | CUSTOMER DRAWING | | DRAWING NO G-150072-1 | RESTRICTED TO - |
| SCALE 6:1 | | | SHEET 1 OF 1 | REV A1 | |

X-ON Electronics

Largest Supplier of Electrical and Electronic Components

Click to view similar products for [Terminals](#) category:

Click to view products by [TE Connectivity](#) manufacturer:

Other Similar products are found below :

[00-054007-01074-6](#) [00-054007-70206-1](#) [00-054007-70210-8](#) [00-054007-70217-7](#) [00-054007-70226-9](#) [00-054007-70228-3](#) [00-054007-70248-1](#) [00-054007-70256-6](#) [00-054007-70301-3](#) [00-054007-70316-7](#) [0-0320562-0](#) [00-054007-49560-4](#) [00-054007-70209-2](#) [00-054007-70225-2](#) [00-054007-70227-6](#) [00-054007-70231-3](#) [00-054007-70241-2](#) [00-054007-70242-9](#) [00-054007-70244-3](#) [00-054007-70246-7](#) [00-054007-70263-4](#) [00-054007-70288-7](#) [00-054007-70290-0](#) [00-054007-70300-6](#) [00-054007-70304-4](#) [01-2065-1-0216](#) [01-2900-1-04412](#) [00581P0075](#) [600TS-10](#) [60205-1](#) [604200-1](#) [605601-1](#) [60598-1-CUT-TAPE](#) [61314-6-C](#) [61810-3](#) [61-S](#) [61-SN](#) [626-0194](#) [62-NBM-A](#) [62-SN](#) [62-SP](#) [63-S](#) [640179-1](#) [M55155/059I03](#) [M55155/079C01](#) [M55155/099H02](#) [M55155/109H01](#) [M55155/109H02](#) [M55155/12XH05](#) [M55155/16XH02](#)