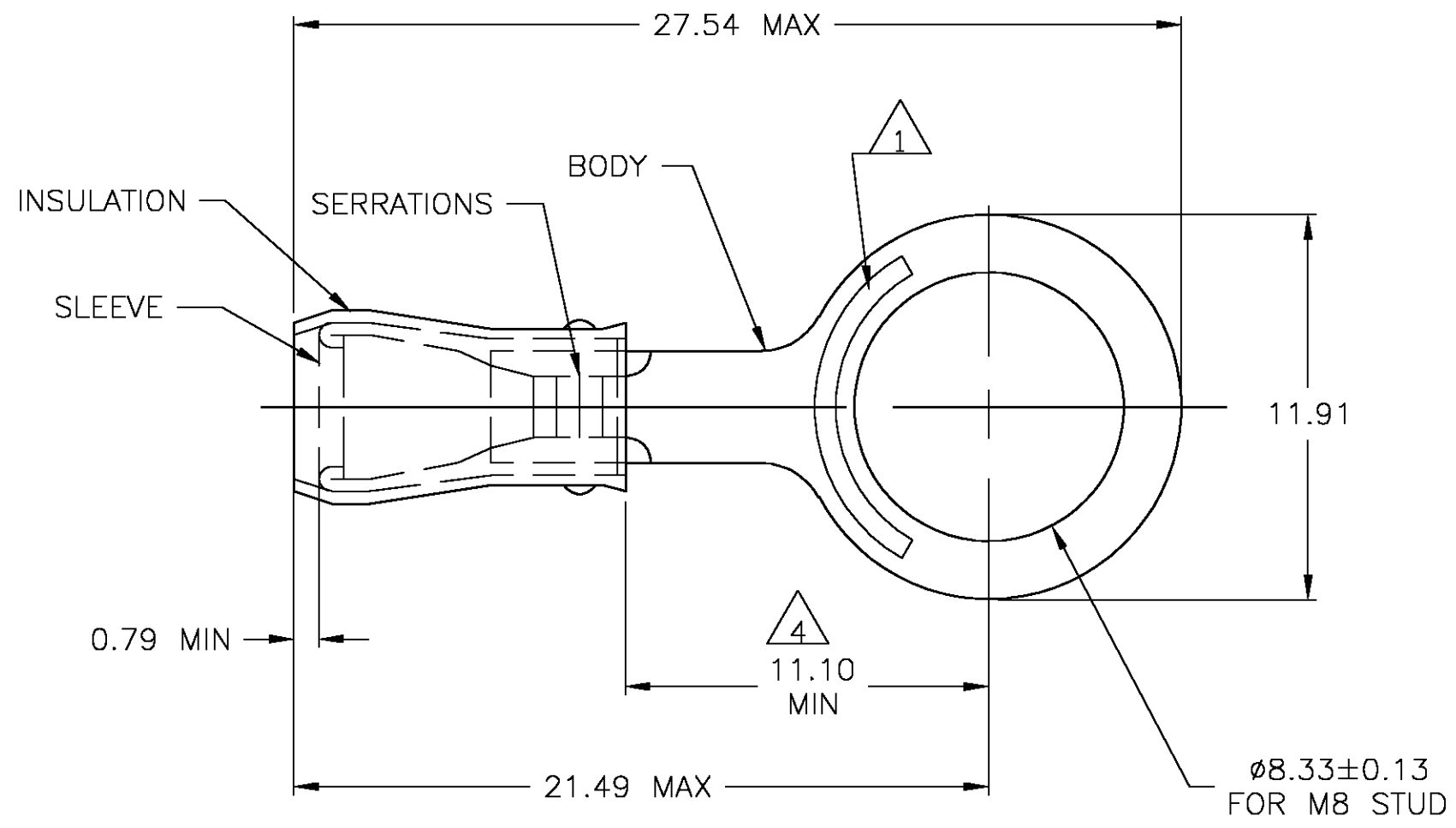


THIS DRAWING IS UNPUBLISHED. RELEASED FOR PUBLICATION
 © COPYRIGHT BY TYCO ELECTRONICS CORPORATION. ALL RIGHTS RESERVED.

LOC	DIST	REVISIONS					
G	14	P	LTR	DESCRIPTION	DATE	DWN	APVD
		A		REV PER 0G3A-0002-04	05MAR04	JR	TM

AMP
WIRE RANGE

22-16 AWG
SOLID OR STRANDED



- 1 STAMP AMP 22-18*, LOCATED APPROX AS SHOWN. STAMPING MAY BE ON TOP OR BOTTOM.
- 2 WIRE INSULATION DIA: 2.67-3.56
- 3 TONGUE MATERIAL THK: 0.84 MAX
- 4 FROM THE EDGE OF METAL WIRE BBL TO CENTER OF STUD HOLE.
- 5 105°C [221°F] MAX OPERATING TEMP.
- 6 VOLTAGE RATING, 300V MAX
- 7 MATERIAL: BODY- COPPER ASTM B-152 SLEEVE: NYLON, RED
- 8 FINISH: BODY- TIN PLATE PER ASTM B545

LOOSE PIECE	150300-0
PACKAGE TYPE	PART NO

THIS DRAWING IS A CONTROLLED DOCUMENT.		DWN JR RUTH 05MAR2004	Tyco Electronics Corporation Harrisburg, Pa 17105-3608			
DIMENSIONS: mm		CHK T MICHELUTTI 05MAR04				
TOLERANCES UNLESS OTHERWISE SPECIFIED:		APVD T MICHELUTTI 05MAR04	NAME TERMINAL, RING TONGUE, P.I.D.G., WIRE SIZE 22-16 AWG			
0 PLC ± - 1 PLC ± - 2 PLC ± .02 3 PLC ± - 4 PLC ± - ANGLES ± -		PRODUCT SPEC -	RESTRICTED TO -			
MATERIAL		APPLICATION SPEC -	SIZE A3	CAGE CODE 00779	DRAWING NO C-150300	
FINISH		WEIGHT -	CUSTOMER DRAWING			
				SCALE 5:1	SHEET 1 OF 1	REV A

X-ON Electronics

Largest Supplier of Electrical and Electronic Components

Click to view similar products for [Terminals](#) category:

Click to view products by [TE Connectivity](#) manufacturer:

Other Similar products are found below :

[00-054007-01074-6](#) [00-054007-70206-1](#) [00-054007-70210-8](#) [00-054007-70217-7](#) [00-054007-70226-9](#) [00-054007-70228-3](#) [00-054007-70248-1](#) [00-054007-70256-6](#) [00-054007-70301-3](#) [00-054007-70316-7](#) [0-0320562-0](#) [00-054007-49560-4](#) [00-054007-70209-2](#) [00-054007-70225-2](#) [00-054007-70227-6](#) [00-054007-70231-3](#) [00-054007-70241-2](#) [00-054007-70242-9](#) [00-054007-70244-3](#) [00-054007-70246-7](#) [00-054007-70263-4](#) [00-054007-70288-7](#) [00-054007-70290-0](#) [00-054007-70300-6](#) [00-054007-70304-4](#) [01-2065-1-0216](#) [01-2900-1-04412](#) [00581P0075](#) [600TS-10](#) [60205-1](#) [604200-1](#) [605601-1](#) [60598-1-CUT-TAPE](#) [61314-6-C](#) [61810-3](#) [61-S](#) [61-SN](#) [626-0194](#) [62-NBM-A](#) [62-SN](#) [62-SP](#) [63-S](#) [640179-1](#) [M55155/059I03](#) [M55155/079C01](#) [M55155/099H02](#) [M55155/109H01](#) [M55155/109H02](#) [M55155/12XH05](#) [M55155/16XH02](#)