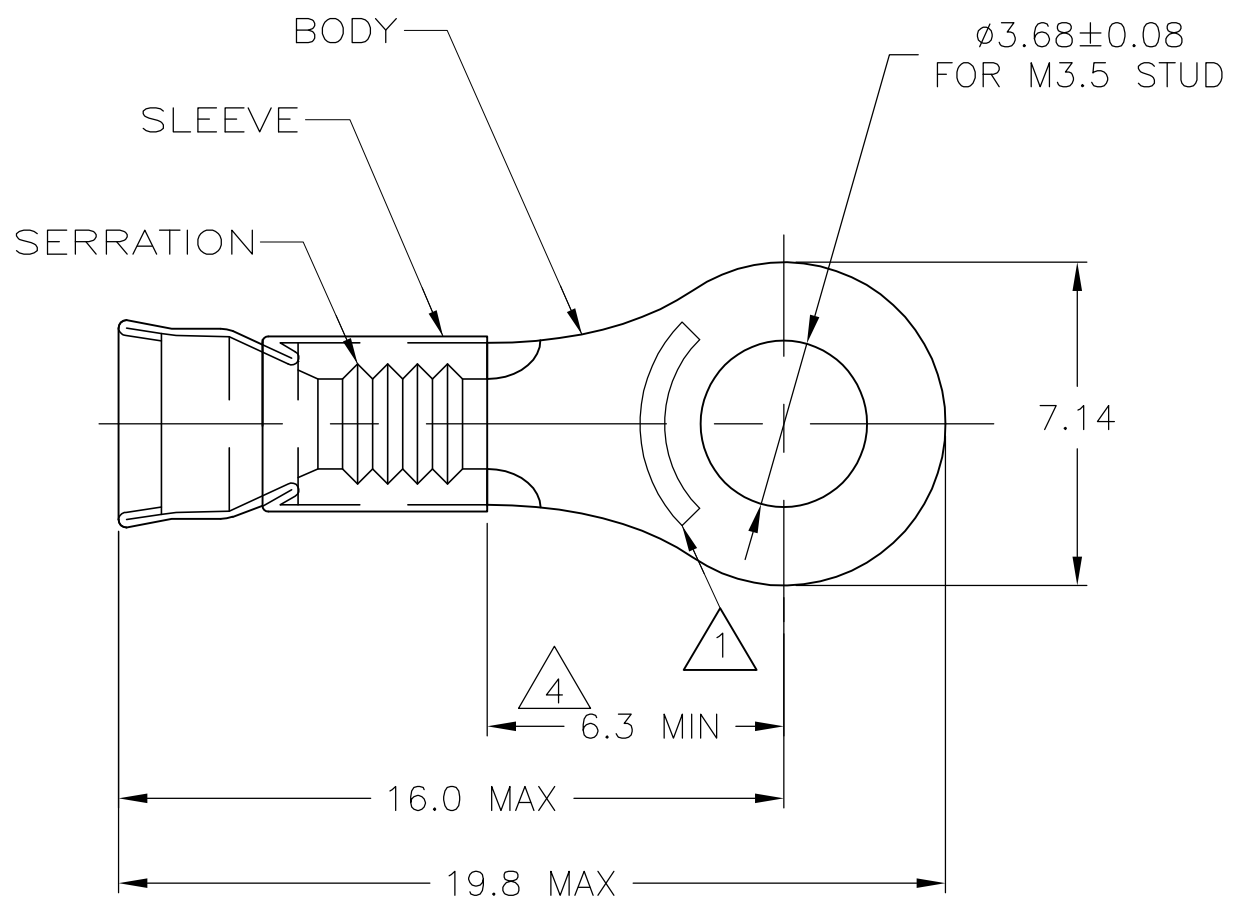


THIS DRAWING IS UNPUBLISHED. RELEASED FOR PUBLICATION
 © COPYRIGHT - BY TYCO ELECTRONICS CORPORATION. ALL RIGHTS RESERVED.

LOC	DIST	REVISIONS					
		P	LTR	DESCRIPTION	DATE	DWN	APVD
G	14		A1	REV PER ECR 07-010957	11MAY07	JR	TM



- 1 STAMP AMP 22-18* APPROX AS SHOWN
 22-16 TERMINALS ARE STAMPED 22-18 IN
 ACCORDANCE WITH MILITARY SPEC MIL-T-7928
 COMMERCIAL WIRE RANGE IS 22-16
- 2. WIRE INSUL DIA, 1.3-2.8
- 3. TONGUE MATL THK, 0.79±0.05
- 4 APPLIES FROM EDGE OF METAL WIRE BARREL
 TO CENTER OF STUD HOLE
- 5 MATERIAL:
 BODY - COPPER PER ASTM B152
 SLEEVE - NICKEL SILVER PER ASTM B122
- 6 FINISH:
 BODY - NICKEL PLATE PER QQ-N-290
 SLEEVE - NONE

5000	ON TAPE	2-150492-1
1000	LOOSE PIECE	150492
QTY	PACKAGE TYPE	PART NO

THIS DRAWING IS A CONTROLLED DOCUMENT.		DWN JR RUTH 11MAY07	Tyco Electronics Corporation Harrisburg, PA 17105-3608	
DIMENSIONS: mm	TOLERANCES UNLESS OTHERWISE SPECIFIED:	CHK T MICHELUTTI 11MAY07	NAME TERMINAL, RING TONGUE, STRATOTHERM, DIAMOND GRIP, 22-16 AWG	
	0 PLC ± - 1 PLC ± - 2 PLC ± 0.20 3 PLC ± - 4 PLC ± - ANGLES ± -	APVD T MICHELUTTI 11MAY07	PRODUCT SPEC -	RESTRICTED TO -
MATERIAL - 5	FINISH - 6	APPLICATION SPEC -	WEIGHT -	SIZE A3
CUSTOMER DRAWING		CAGE CODE 00779	DRAWING NO G-150492	SCALE 6:1
		SHEET 1 OF 1		REV A1

X-ON Electronics

Largest Supplier of Electrical and Electronic Components

Click to view similar products for [Terminals](#) category:

Click to view products by [TE Connectivity](#) manufacturer:

Other Similar products are found below :

[00-054007-01074-6](#) [00-054007-70206-1](#) [00-054007-70210-8](#) [00-054007-70217-7](#) [00-054007-70226-9](#) [00-054007-70228-3](#) [00-054007-70248-1](#) [00-054007-70256-6](#) [00-054007-70301-3](#) [00-054007-70316-7](#) [0-0320562-0](#) [00-054007-49560-4](#) [00-054007-70209-2](#) [00-054007-70225-2](#) [00-054007-70227-6](#) [00-054007-70231-3](#) [00-054007-70241-2](#) [00-054007-70242-9](#) [00-054007-70244-3](#) [00-054007-70246-7](#) [00-054007-70263-4](#) [00-054007-70288-7](#) [00-054007-70290-0](#) [00-054007-70300-6](#) [00-054007-70304-4](#) [01-2065-1-0216](#) [01-2900-1-04412](#) [00581P0075](#) [600TS-10](#) [60205-1](#) [604200-1](#) [605601-1](#) [60598-1-CUT-TAPE](#) [61314-6-C](#) [61810-3](#) [61-S](#) [61-SN](#) [626-0194](#) [62-NBM-A](#) [62-SN](#) [62-SP](#) [63-S](#) [640179-1](#) [M55155/059I03](#) [M55155/079C01](#) [M55155/099H02](#) [M55155/109H01](#) [M55155/109H02](#) [M55155/12XH05](#) [M55155/16XH02](#)