

4

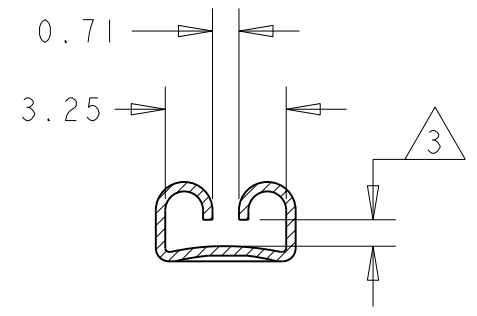
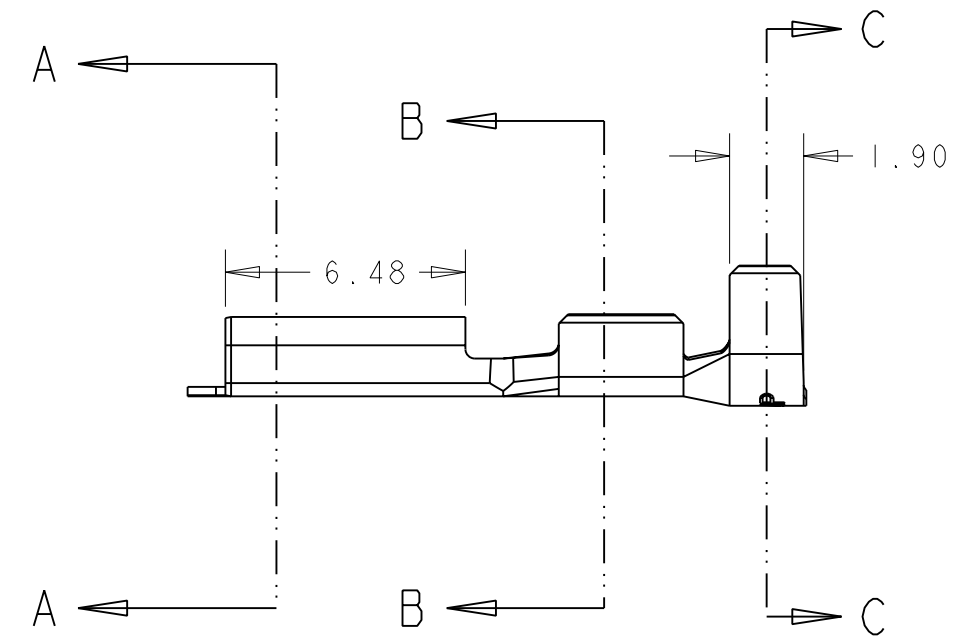
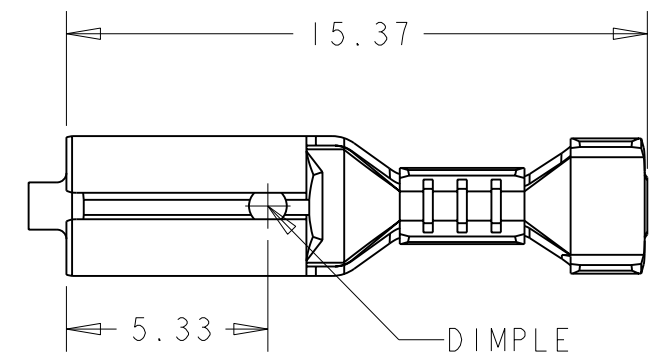
3

2

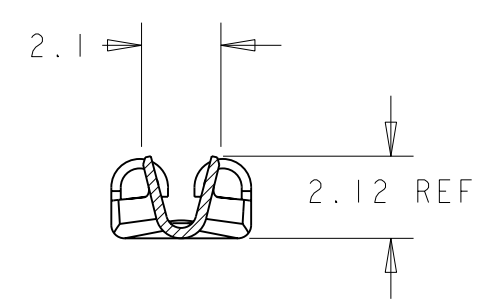
1

THIS DRAWING IS UNPUBLISHED. RELEASED FOR PUBLICATION 20  
 © COPYRIGHT 20 ALL RIGHTS RESERVED.

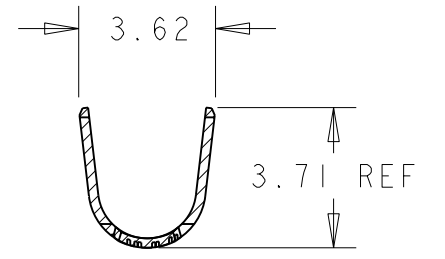
LOC	DIST	REVISIONS			
P	LTR	DESCRIPTION	DATE	DWN	APVD
	L1	ECR-10-000004	01JAN10	RK	SRE
	L2	L.P VERSION INFO ADDED	25MAY2011	PKS	RRP



SECTION A-A



SECTION B-B



SECTION C-C

NOTES:

- 1. WIRE SIZE: 0.2 - 0.56mm<sup>2</sup>
- 2. INSULATION DIAMETER: 2.0 - 3.0mm
- 3 TO SUIT 0.50mm THICK TAB

		NONE	NICKEL SILVER	150500-8
	SPLICE FREE	ELECTRO TIN	BRASS	150500-7
150205-6		NONE	PHOS BRONZE	150500-6
150205-5		SILVER PLATED	BRASS	150500-5
150205-4		PRE-TIN	BRASS	150500-4
OBSOLETE	<del>150205-3</del>	<del>GOLD PLATED</del>	<del>BRASS</del>	<del>150500-3</del>
150205-2		ELECTRO TIN	BRASS	150500-2
150205-1		NONE	BRASS	150500-1
L.P P/N	REELING	FINISH	MATERIAL	PART NO

THIS DRAWING IS A CONTROLLED DOCUMENT.		DWN M. GREENER 15JUN2007	TE Connectivity .110 SERIES MINIATURE FASTON RECEPTACLE	
DIMENSIONS: mm		CHK J. AMBROSE 15JUN2007		
		APVD J. AMBROSE 15JUN2007		
TOLERANCES UNLESS OTHERWISE SPECIFIED:		PRODUCT SPEC 108-20020	NAME	
0 PLC ±0.5		APPLICATION SPEC 114-2036	SIZE	
1 PLC ±0.5		WEIGHT -	CAGE CODE	
2 PLC ±0.5		CUSTOMER DRAWING	DRAWING NO	
3 PLC ±0.5			A300779	
4 PLC ±0.5			C=150500	
ANGLES ±			RESTRICTED TO	
FINISH ±2			-	
MATERIAL SEE TABLE			SCALE NTS	
			SHEET 1 OF 1	
			REV L2	

## X-ON Electronics

Largest Supplier of Electrical and Electronic Components

*Click to view similar products for [Terminals](#) category:*

*Click to view products by [TE Connectivity](#) manufacturer:*

Other Similar products are found below :

[00-054007-01074-6](#) [00-054007-70206-1](#) [00-054007-70210-8](#) [00-054007-70217-7](#) [00-054007-70226-9](#) [00-054007-70228-3](#) [00-054007-70248-1](#) [00-054007-70256-6](#) [00-054007-70301-3](#) [00-054007-70316-7](#) [00-054007-49560-4](#) [00-054007-70209-2](#) [00-054007-70225-2](#) [00-054007-70227-6](#) [00-054007-70231-3](#) [00-054007-70241-2](#) [00-054007-70242-9](#) [00-054007-70244-3](#) [00-054007-70246-7](#) [00-054007-70263-4](#) [00-054007-70288-7](#) [00-054007-70290-0](#) [00-054007-70300-6](#) [00-054007-70304-4](#) [01-2065-1-0216](#) [01-2900-1-04412](#) [00581P0075](#) [600TS-10](#) [60205-1](#) [604200-1](#) [605601-1](#) [60598-1-CUT-TAPE](#) [61314-6-C](#) [61810-3](#) [61-S](#) [61-SN](#) [626-0194](#) [62-NBM-A](#) [62-SN](#) [62-SP](#) [63-S](#) [640179-1](#) [M55155/059I03](#) [M55155/079C01](#) [M55155/099H02](#) [M55155/109H01](#) [M55155/109H02](#) [M55155/12XH05](#) [M55155/16XH02](#) [M55155/29-5S](#)