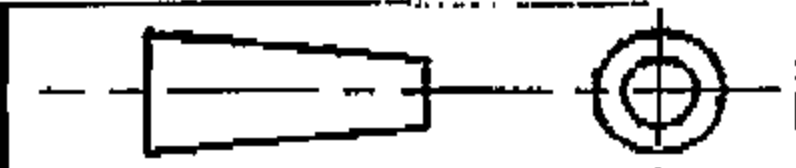


DO NOT SCALE

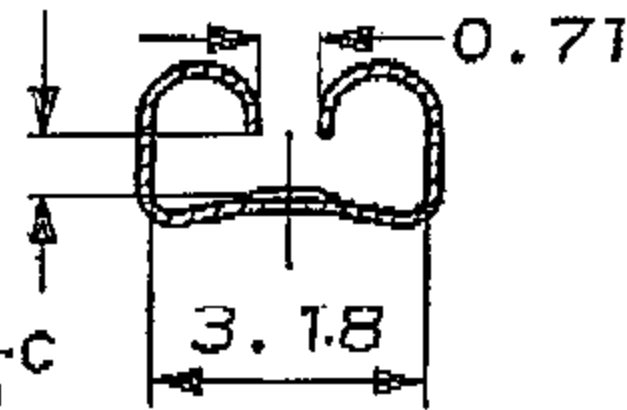
DIMENSIONS IN MM.



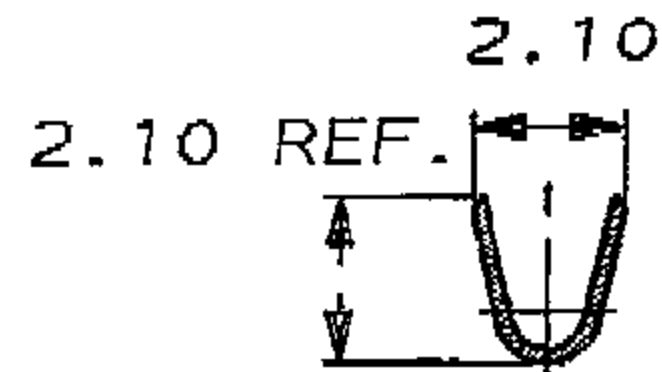
C.A.D. FILE CODE
5. C150545. N

PART NUMBER	MATERIAL	FINISH	PAPER INTERLEAVED
150545-1	BRASS	NONE	NO
150545-2	BRASS	ELECTRO TIN	YES
150545-3	BRASS	PRE TIN	OBSOLETE
150545-4	BRASS	SILVER	OBSOLETE
150545-5	PHOS. BRONZE	NONE	OBSOLETE
150545-6	PHOS. BRONZE	ELECTRO TIN	OBSOLETE
150545-7	BRASS	GOLD OVER NICKEL	OBSOLETE
150545-8	BRASS	NONE	OBSOLETE
150545-9	BRASS	NONE	OBSOLETE

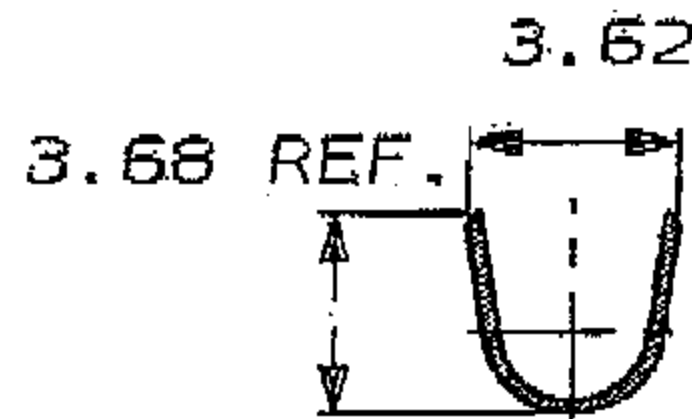
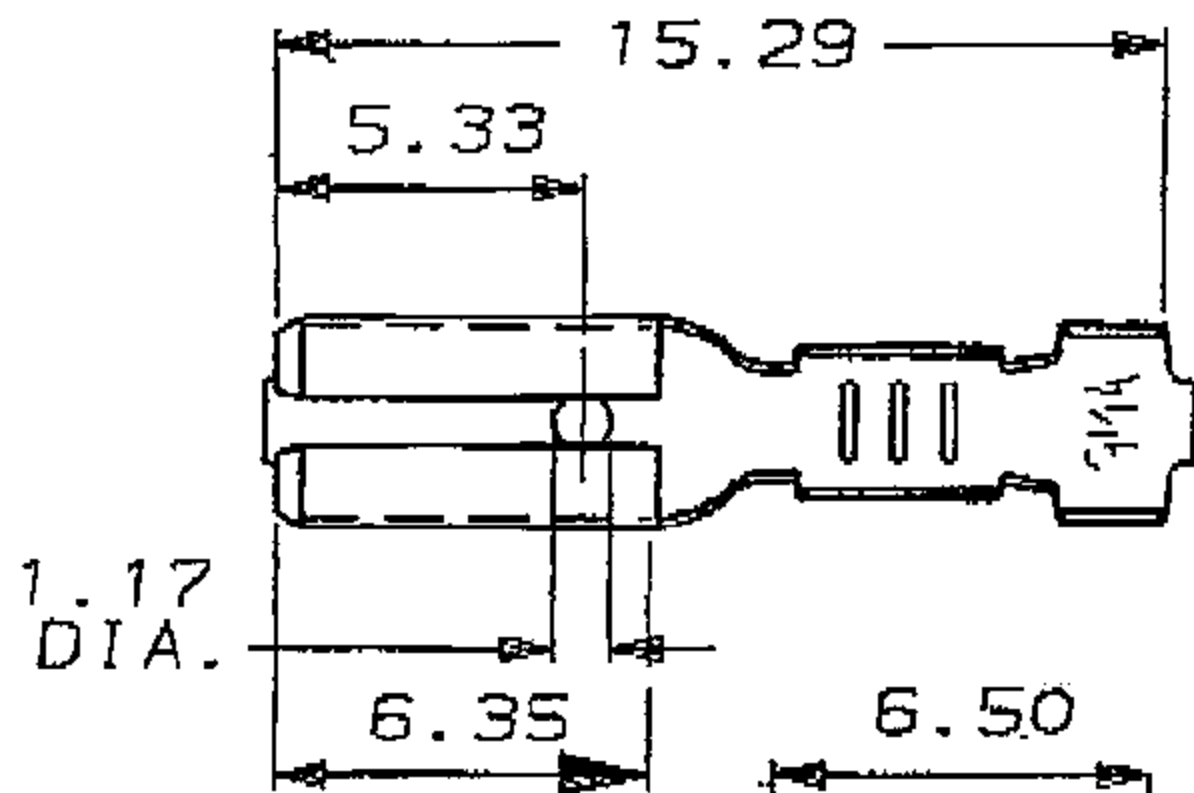
GAP TO SUIT
TAB THICKNESS
0.80



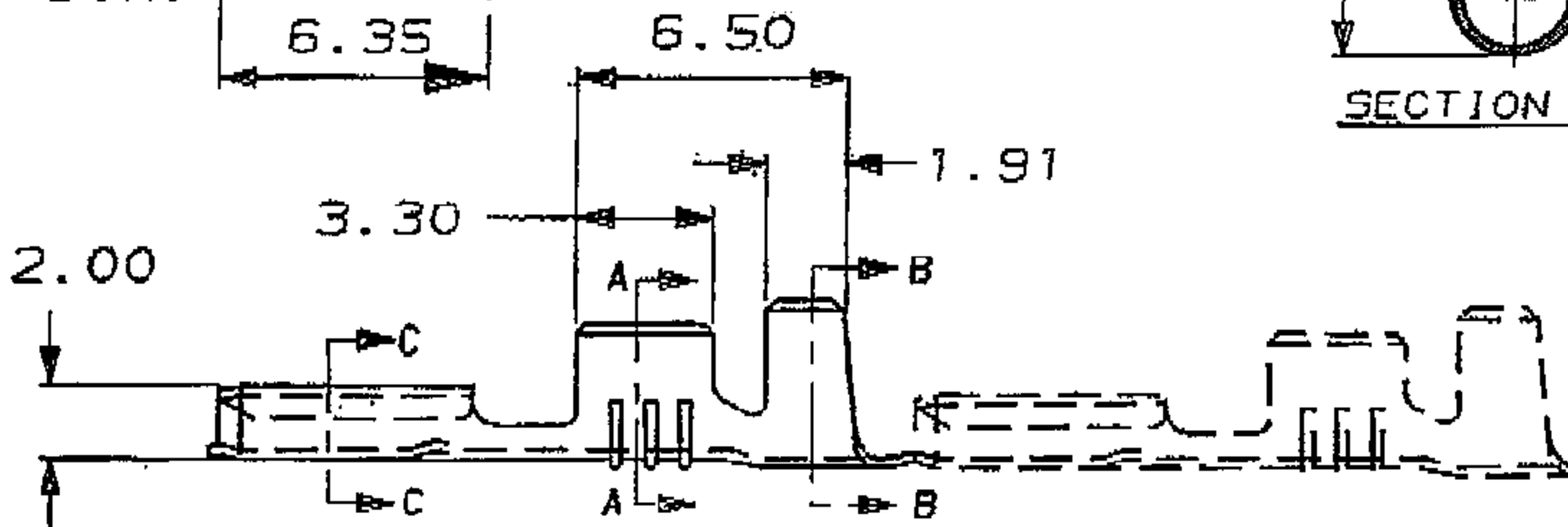
SECTION C-C
SCALE 6-1



SECTION A-A



SECTION B-B



WIRE RANGE 0.21 TO 0.52mm²

INSULATION RANGE 2.03 TO 3.05mm DIA

CUSTOMER DWG
FOR REFERENCE ONLY

© COPYRIGHT 1981 BY AMP OF GREAT BRITAIN LTD.
ALL INTERNATIONAL RIGHTS RESERVED. ALL PRODUCTS
MAY BE COVERED BY BRITISH AND FOREIGN PATENTS AND/OR PATENTS PENDING.

RELEASED FOR PUBLICATION
ORIGINAL 1981

-	-	-	-
-	-	-	-
-	-	-	-
-	-	-	-
P	ECR-07-008438	MJG	12/04/07
N	REDRAWN ON CAD	CS978	17.12.91
REV	APPROVED	ECN	DATE

TOLERANCES
UNLESS OTHERWISE
STATED :
DEC ± 0.5
ANGLES ± 1°

DR. D.A.BARRATT 17.12.91

CH. D.TERRY APP. D.A.BARRATT



TERMINAL HOUSE
STANKORE
MIDDX.

NAME MINIATURE FASTON 110 SERIES

SCALE	LOC	SIZE	DWG.No.	REV	SHEET
4/1	E	A4	C150545	P	1/1

X-ON Electronics

Largest Supplier of Electrical and Electronic Components

Click to view similar products for [Terminals](#) category:

Click to view products by [TE Connectivity](#) manufacturer:

Other Similar products are found below :

[00-054007-01074-6](#) [00-054007-70206-1](#) [00-054007-70210-8](#) [00-054007-70217-7](#) [00-054007-70226-9](#) [00-054007-70228-3](#) [00-054007-70248-1](#) [00-054007-70256-6](#) [00-054007-70301-3](#) [00-054007-70316-7](#) [00-054007-49560-4](#) [00-054007-70209-2](#) [00-054007-70225-2](#) [00-054007-70227-6](#) [00-054007-70231-3](#) [00-054007-70241-2](#) [00-054007-70242-9](#) [00-054007-70244-3](#) [00-054007-70246-7](#) [00-054007-70263-4](#) [00-054007-70288-7](#) [00-054007-70290-0](#) [00-054007-70300-6](#) [00-054007-70304-4](#) [01-2065-1-0216](#) [01-2900-1-04412](#) [00581P0075](#) [600TS-10](#) [60205-1](#) [604200-1](#) [605601-1](#) [60598-1-CUT-TAPE](#) [61314-6-C](#) [61810-3](#) [61-S](#) [61-SN](#) [626-0194](#) [62-NBM-A](#) [62-SN](#) [62-SP](#) [63-S](#) [640179-1](#) [M55155/059I03](#) [M55155/079C01](#) [M55155/099H02](#) [M55155/109H01](#) [M55155/109H02](#) [M55155/12XH05](#) [M55155/16XH02](#) [M55155/29-5S](#)