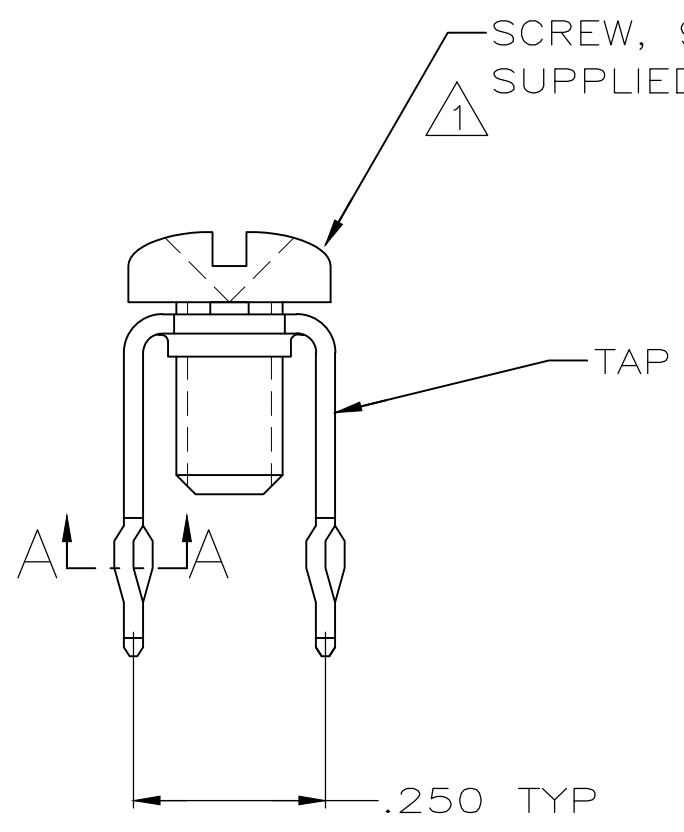
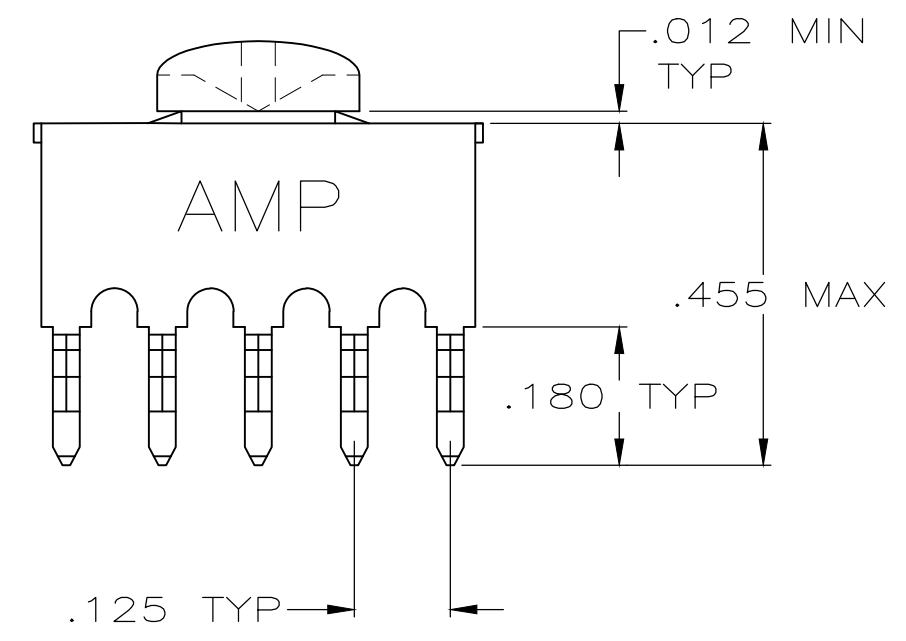
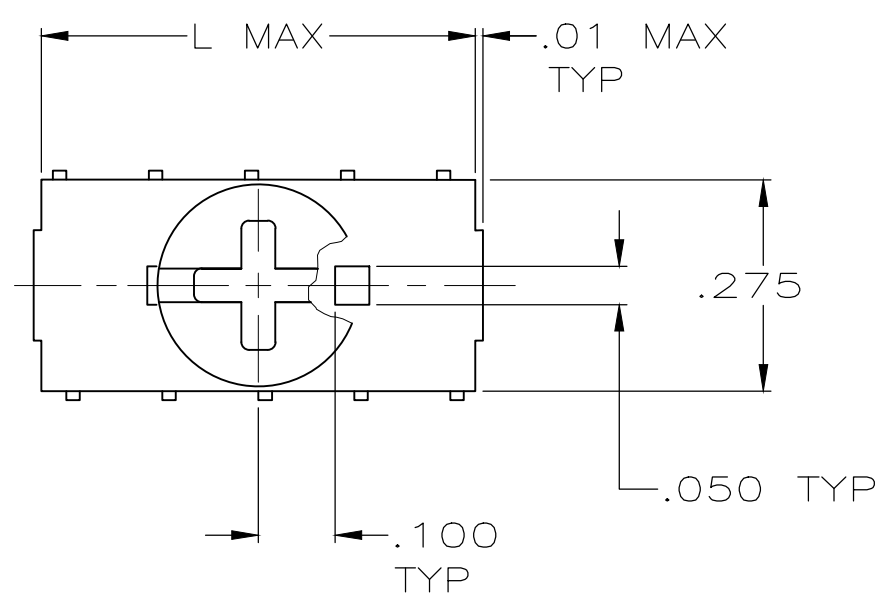


THIS DRAWING IS UNPUBLISHED. RELEASED FOR PUBLICATION
 © COPYRIGHT BY TYCO ELECTRONICS CORPORATION. ALL RIGHTS RESERVED.

LOC	DIST	REVISIONS			
P	LTR	DESCRIPTION	DATE	DWN	APVD
AA	00				
	C3	REV PER ECR-19-012678	13AUG2019	ML	SZ



SCREW, 993879-1
 SUPPLIED UNASSEMBLED, SEE TABLE

- ① TO PREVENT THREAD STRIPPING, SCREW TORQUE SHOULD NOT EXCEED 9 IN LBS.
- ② TAP HOLE IS 6-32UNC-2B, TWO MIN THREADS
- ③ FINISH .000050 REF MATTE TIN OVER .000050 REF MATTE NICKEL BASED-PLATING.
- ④ HIGH CONDUCTIVITY COPPER ALLOY.
- ⑤ REFERENCE APPLICATION SPECIFICATION 114-11000 FOR DRILL HOLE SIZE AND FINISHES
- ⑥ PACKAGE: REEL TYPE, CONNECTOR WIT KAPTON.
- ⑦ PACKAGE: PLASTIC BOX PACKAGE.



SECTION A-A
 SCALE 10:1
 10 PLACES

⑦	.32	NO	6	3-5055323-5
⑥	.32	NO	6	2-5055323-5
	.57	YES	10	1-5055323-0
	.32	YES	6	5055323-9
	.57	NO	10	5055323-6
	.32	NO	6	5055323-5
	L	993879-1	NUMBER OF POSN	PART NO

THIS DRAWING IS A CONTROLLED DOCUMENT.		DWN J. ALCORTA - DOCK5 05-04-05	Tyco Electronics Corporation Harrisburg, PA 17105-3608	
DIMENSIONS: INCHES		CHK A. FRANTUM 05-04-05		
TOLERANCES UNLESS OTHERWISE SPECIFIED:		APVD S. FLICKINGER 05-04-05	NAME POWER TAP CONNECTOR POWER DISTRIBUTION	
0 PLC ± - 1 PLC ± - 2 PLC ± - 3 PLC ± .008 4 PLC ± - ANGLES ± -		PRODUCT SPEC 108-11030	RESTRICTED TO	
MATERIAL		APPLICATION SPEC 114-11000	SIZE A3	CAGE CODE 00779
FINISH		WEIGHT -	DRAWING NO C-5055323	REV C3
④		CUSTOMER DRAWING		SCALE 4:1
③		SHEET 1 OF 1		REV C3

X-ON Electronics

Largest Supplier of Electrical and Electronic Components

Click to view similar products for [Power to the Board](#) category:

Click to view products by [TE Connectivity](#) manufacturer:

Other Similar products are found below :

[6450171-4](#) [6450552-7](#) [6600323-8](#) [6643429-1](#) [6646040-2](#) [6651939-1](#) [6766604-1](#) [120959-1](#) [1393557-2](#) [1393532-2](#) [1393532-3](#) [1393532-4](#)
[1393557-1](#) [1600812-5](#) [1-6450861-2](#) [1744132-7](#) [1761122-1](#) [1766250-1](#) [1892109-1](#) [2-6450860-5](#) [2-6450870-0](#) [1-6450161-4](#) [1-6450850-6](#) [1-6450869-6](#) [1645526-2](#) [1-6600130-0](#) [2005243-2](#) [377-0020-11130](#) [TE34-12-16P-F0](#) [5-6450830-6](#) [5646956-4](#) [377-0080-11131A](#) [4-6450830-9](#)
[4-6600333-3](#) [10125416-4050LF](#) [6600320-3](#) [3-6450860-5](#) [1888123-2](#) [6450166-1](#) [6643978-1](#) [6766605-1](#) [701-15-02109](#) [N11444](#) [6651938-1](#)
[6450810-7](#) [46437-1112](#) [1-1589677-8](#) [5646956-5](#) [6450813-2](#) [6450129-4](#)