

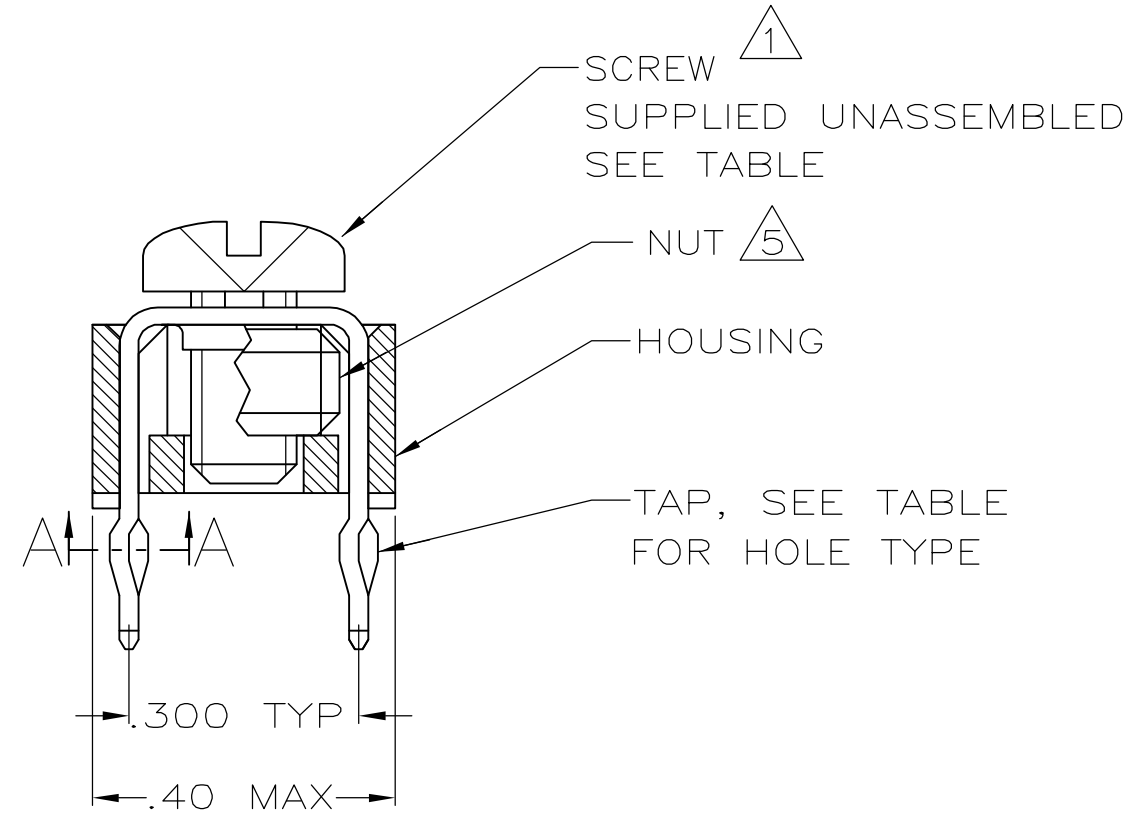
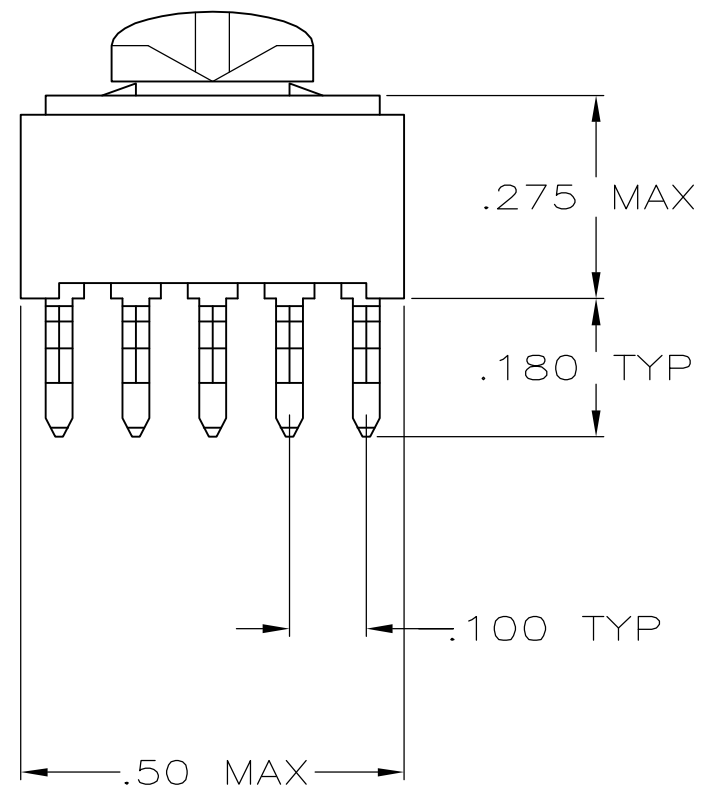
THIS DRAWING IS UNPUBLISHED. RELEASED FOR PUBLICATION  
 © COPYRIGHT BY TYCO ELECTRONICS CORPORATION. ALL RIGHTS RESERVED.

LOC	DIST	REVISIONS			
P	LTR	DESCRIPTION	DATE	DWN	APVD
GP	00	A	REV PER EC 0S12-0573-04	05-04-05	JA SF

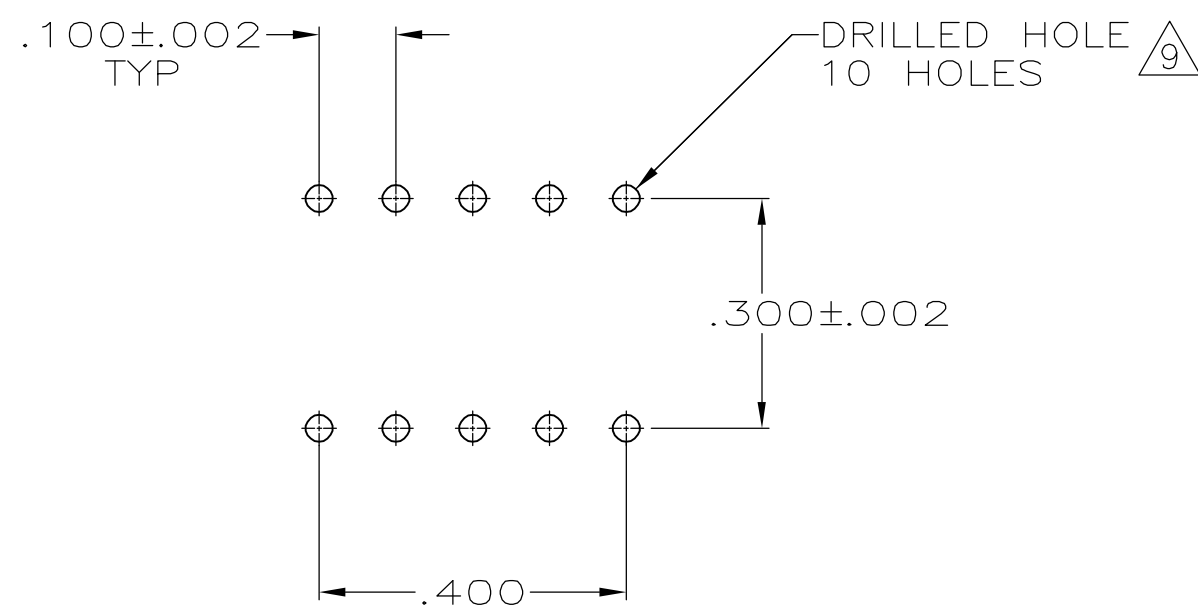
.050±.005 DIA



SECTION A-A  
 SCALE 10:1  
 10 PLACES




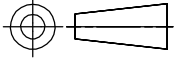
- ① TO PREVENT THREAD STRIPPING, SCREW TORQUE SHOULD NOT EXCEED 9 IN LBS.
- ② TAP HOLE IS 6-32UNC-2B, TWO MIN THREADS.
- ③ TAP HOLE IS M4 X 0.7, TWO MIN THREADS.
- ④ PACKAGED BULK.
- ⑤ NUT INCREASES TORQUE VALUE TO 26 IN LBS.
- ⑥ HOUSING: NYLON UL 94V-0. TAP: COPPER ALLOY 735, .025 THICK.
- ⑦ TAP: .000150 MATTE TIN OVER .000050 NICKEL.
- ⑧ CLEARANCE HOLE FOR A 6-32 SCREW.
- ⑨ REFERENCE APPLICATION SPECIFICATION 114-11000 FOR DRILL HOLE SIZES AND FINISHES



PC BOARD PATTERN

④	⑦	⑧	BLACK	⑤ YES (W/NUT)	NO	1-5055556-3
④	⑦	⑧	BLACK	⑤ YES (W/NUT)	993879-1	1-5055556-2
④	⑦	③	BLACK	YES	M4 X 0.7 X 6MM	5055556-9
④	⑦	②	BLACK	YES	993879-1	5055556-4
④	⑦	②	BLACK	YES	NO	5055556-3
PACKAGE	FINISH	HOLE TYPE	HOUSING COLOR	HOUSING AND TAP ASSEMBLED	SCREW	PART NO.

THIS DRAWING IS A CONTROLLED DOCUMENT.

DIMENSIONS: INCHES	TOLERANCES UNLESS OTHERWISE SPECIFIED:	DWN J. ALCORTA - DOCK5 05-04-05	 Tyco Electronics Corporation Harrisburg, PA 17105-3608
	0 PLC ± - 1 PLC ± - 2 PLC ± - 3 PLC ± .010 4 PLC ± - ANGLES ± -	CHK A. FRANTUM 05-04-05	
MATERIAL	FINISH	APVD S. FLICKINGER 05-04-05	NAME
⑥		PRODUCT SPEC 108-11030	TAP ASSEMBLY, POWER DISTRIBUTION
		APPLICATION SPEC 114-11000	SIZE A2 CAGE CODE 00779 DRAWING NO. C=5055556
		WEIGHT	RESTRICTED TO
		CUSTOMER DRAWING	SCALE 4:1 SHEET 1 OF 1 REV A

## X-ON Electronics

Largest Supplier of Electrical and Electronic Components

*Click to view similar products for [Power to the Board](#) category:*

*Click to view products by [TE Connectivity](#) manufacturer:*

Other Similar products are found below :

[6450171-4](#) [6450552-7](#) [6600323-8](#) [6643429-1](#) [6646040-2](#) [6651939-1](#) [6766604-1](#) [120959-1](#) [1393557-2](#) [1393532-2](#) [1393532-3](#) [1393532-4](#)  
[1393557-1](#) [1600812-5](#) [1-6450861-2](#) [1744132-7](#) [1761122-1](#) [1766250-1](#) [1892109-1](#) [2-6450860-5](#) [2-6450870-0](#) [1-6450161-4](#) [1-6450850-6](#) [1-6450869-6](#) [1645526-2](#) [1-6600130-0](#) [2005243-2](#) [377-0020-11130](#) [TE34-12-16P-F0](#) [5-6450830-6](#) [5646956-4](#) [377-0080-11131A](#) [4-6450830-9](#)  
[4-6600333-3](#) [10125416-4050LF](#) [6600320-3](#) [3-6450860-5](#) [1888123-2](#) [6450166-1](#) [6643978-1](#) [6766605-1](#) [701-15-02109](#) [N11444](#) [6651938-1](#)  
[6450810-7](#) [46437-1112](#) [1-1589677-8](#) [5646956-5](#) [6450813-2](#) [6450129-4](#)