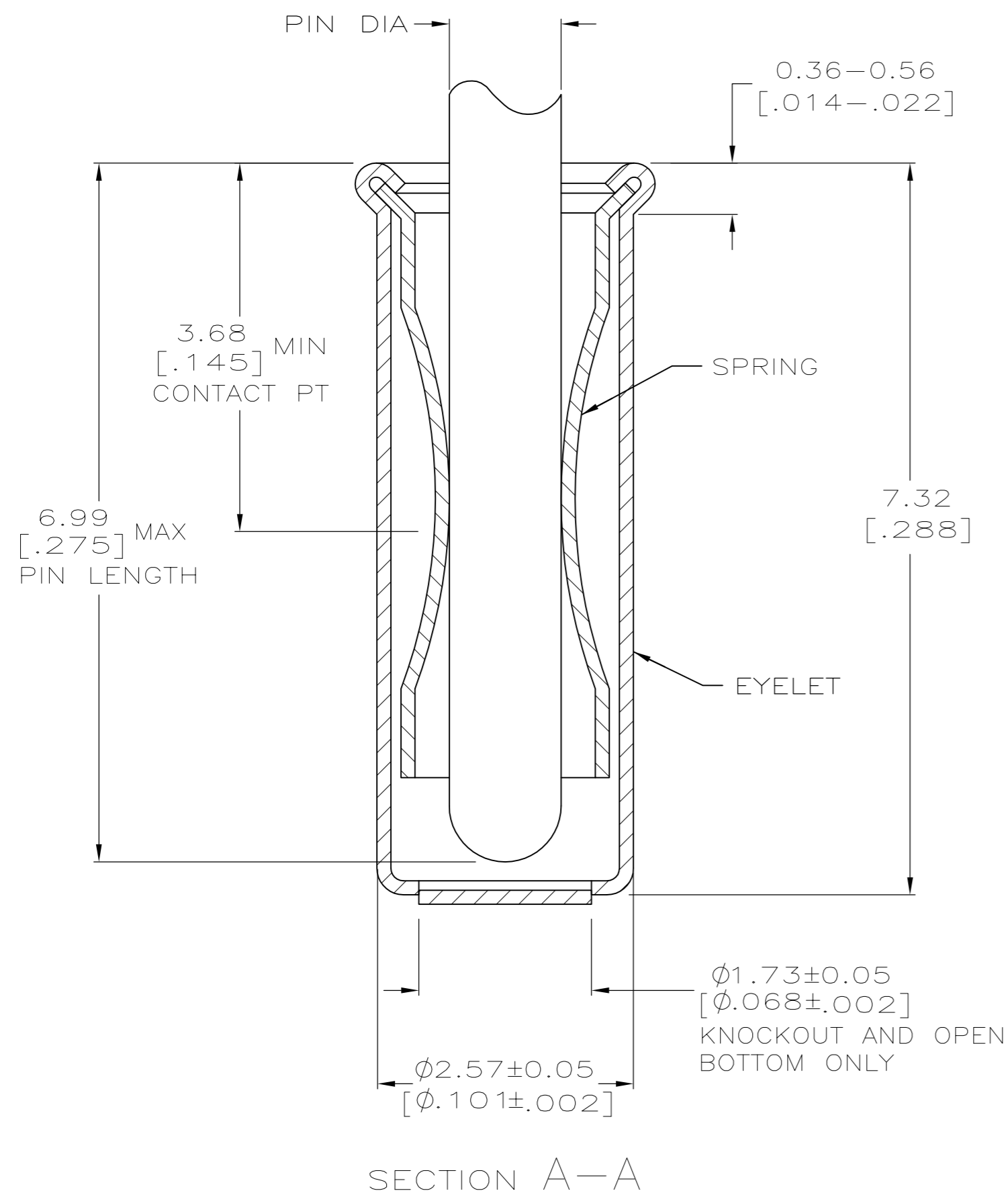
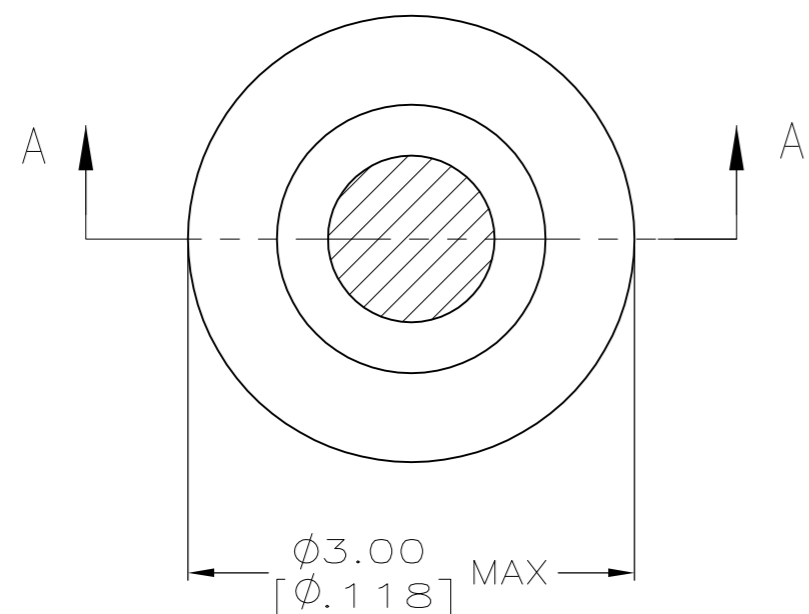


THIS DRAWING IS UNPUBLISHED. RELEASED FOR PUBLICATION
 © COPYRIGHT - By - ALL RIGHTS RESERVED.

LOC	DIST	REVISIONS			
P	LTR	DESCRIPTION	DATE	DWN	APVD
GP	00	AE7	REVISED PER ECO-15-006593	27APR2015	LL SH



SECTION A-A

- ① TIN PER MIL-T-10727 OR TIN LEAD .000254 [.000100] MIN THK.
- ② GOLD PER MIL-G-45204, TYPE II, 0.00076 [.000030] MIN THK OVER NICKEL PER QQ-N-290 0.00028 [.000011] MIN THK ON CONTACT AREA.
- ③ GOLD FLASH PER MIL-G-45204, TYPE II, 0.13 μm [.000005] MIN THK. OVER NICKEL PLATE PER QQ-N-290 0.51 μm-1.52 μm
- 4. RECOMMENDED HOLE SIZE, PLATED OR UNPLATED: m [.000020-.000060] EXT THK.
 MACHINE INSERTION: 2.56±0.08 [.101±.003]
 HAND INSERTION: 2.62^{+0.10}/_{-0.00} [.103^{+0.04}/_{-0.000}]
- 5. APPLICATION TOOL PART NUMBER:
 MACHINE NO. 682127-6
 INSERTION HEAD NO. 682039-5
- ⑥ TO INSURE PROPER SPRING TENSION DO NOT EXCEED A 0.05 [.002] DIFFERENCE IN PIN DIA WHEN CHANGING TO A SMALLER PIN.
- 7. BOTTOM PLUG KNOCKOUT TOOL PART NUMBER 69729 WITH TIP PART NUMBER 69728-3.
- ⑧ TIN PER ASTM B 545, 0.00254 [.000100] MIN THK.
- ⑨ MATERIAL: SPRING: BERYLLIUM COPPER, QQ-C-533.
 EYELET: COPPER, QQ-C-576.
- ⑩ PACKAGE: MAYLAR STRIP.

⑩							
	CLOSED	1.27-1.45 [.050-.057]	GOLD ③	GOLD ②		7-50871-3	
	CLOSED	1.07-1.24 [.042-.049]	TIN ⑧	TIN ⑧		6-50871-8	
	CLOSED	1.07-1.24 [.042-.049]	TIN ⑧	TIN ①		3-50871-0	
SUPSD BY 1-50871-4	CLOSED	1.27-1.45 [.050-.057]			GOLD ②	2-50871-8	
SUPSD BY 50871-5						2-50871-7	
OBSOLETE	KNOCKOUT	1.42-1.65 [.056-.065]	TIN ①	TIN ①		2-50871-6	
OBSOLETE	OPEN					2-50871-5	
OBSOLETE	CLOSED					2-50871-4	
OBSOLETE	KNOCKOUT	1.27-1.45 [.050-.057]	GOLD ③	GOLD ②		2-50871-3	
OBSOLETE	OPEN						2-50871-2
OBSOLETE	CLOSED						2-50871-1
OBSOLETE	KNOCKOUT	1.07-1.24 [.042-.049]	TIN ①	TIN ①		1-50871-9	
OBSOLETE	OPEN					1-50871-8	
OBSOLETE	CLOSED					1-50871-7	
OBSOLETE	KNOCKOUT	1.27-1.45 [.050-.057]	TIN ①	TIN ①		1-50871-4	
OBSOLETE	OPEN					1-50871-3	
OBSOLETE	CLOSED					1-50871-0	
OBSOLETE	KNOCKOUT	1.07-1.24 [.042-.049]	TIN ①	TIN ①		50871-8	
OBSOLETE	OPEN					50871-6	
OBSOLETE	CLOSED					50871-5	
OBSOLETE	KNOCKOUT	1.07-1.24 [.042-.049]	GOLD ③	GOLD ②		50871-4	
OBSOLETE	OPEN						50871-3
OBSOLETE	CLOSED						50871-1
OBSOLETE	KNOCKOUT	1.07-1.24 [.042-.049]	TIN ①	TIN ①		50871-1	
OBSOLETE	OPEN					50871	
OBSOLETE	CLOSED					50871	
	BOTTOM TYPE	RECOMMENDED PIN DIA ⑥	EYELET	SPRING		PART NO	

THIS DRAWING IS A CONTROLLED DOCUMENT. DWN R. TALLEY 20SEP05
 CHK R. MILLER 8-22-91

DIMENSIONS: mm [INCHES] TOLERANCES UNLESS OTHERWISE SPECIFIED:
 0 PLC ± -
 1 PLC ± -
 2 PLC ± 0.20 [.008]
 3 PLC ± -
 4 PLC ± -
 ANGLES ± -

MATERIAL ⑨ FINISH

PRODUCT SPEC
 APPLICATION SPEC
 WEIGHT -

NAME
 MINIATURE SPRING SOCKET ASSEMBLY
 SERIES 5

SIZE A2 CAGE CODE 00779 DRAWING NO C-50871 RESTRICTED TO -
 SCALE 20:1 SHEET 1 of 1 REV AE7

CUSTOMER DRAWING

X-ON Electronics

Largest Supplier of Electrical and Electronic Components

Click to view similar products for IC & Component Sockets category:

Click to view products by TE Connectivity manufacturer:

Other Similar products are found below :

[0066-3-17-15-30-14-02-0](#) [670](#) [672](#) [673](#) [694-13-640-00-672-000](#) [712-93-120-41-001000](#) [714-93-104-31-018000](#) [8059-4G1-LF](#) [807-22-001-10-001101](#) [807-22-001-10-006101](#) [807-22-001-30-011101](#) [807-22-001-30-012101](#) [807-22-001-30-013101](#) [807-22-001-30-014101](#) [8-1437531-4](#) [8150-6P10](#) [833-93-034-10-001000](#) [851-41-006-10-001000](#) [851-43-008-20-001000](#) [851-43-014-20-001000](#) [851-93-006-20-001000](#) [851-93-010-20-001000](#) [853-43-020-10-001000](#) [86.010.0053.0](#) [116-43-308-41-007000](#) [PX-68LCC](#) [121-13-318-41-001000](#) [121-13-320-41-001000](#) [121-13-308-41-001000](#) [123-43-314-41-801000](#) [123-43-420-41-001000](#) [122-13-316-41-001000](#) [123-13-624-41-001000](#) [123-43-306-41-001000](#) [12-3513-11](#) [123-91-320-41-001000](#) [126-43-310-41-002000](#) [AKSUN 37V-T](#) [1437503-9](#) [1437504-1](#) [146-44-308-41-013000](#) [146-43-308-41-012000](#) [160-10-308-00-001000](#) [160-40-320-00-001000](#) [214-99-306-01-670800](#) [232-1270-02-0602](#) [2-382761-4](#) [2-5331677-4](#) [2-640360-3](#) [2801-2-00-50-00-00-07-0](#)