

4

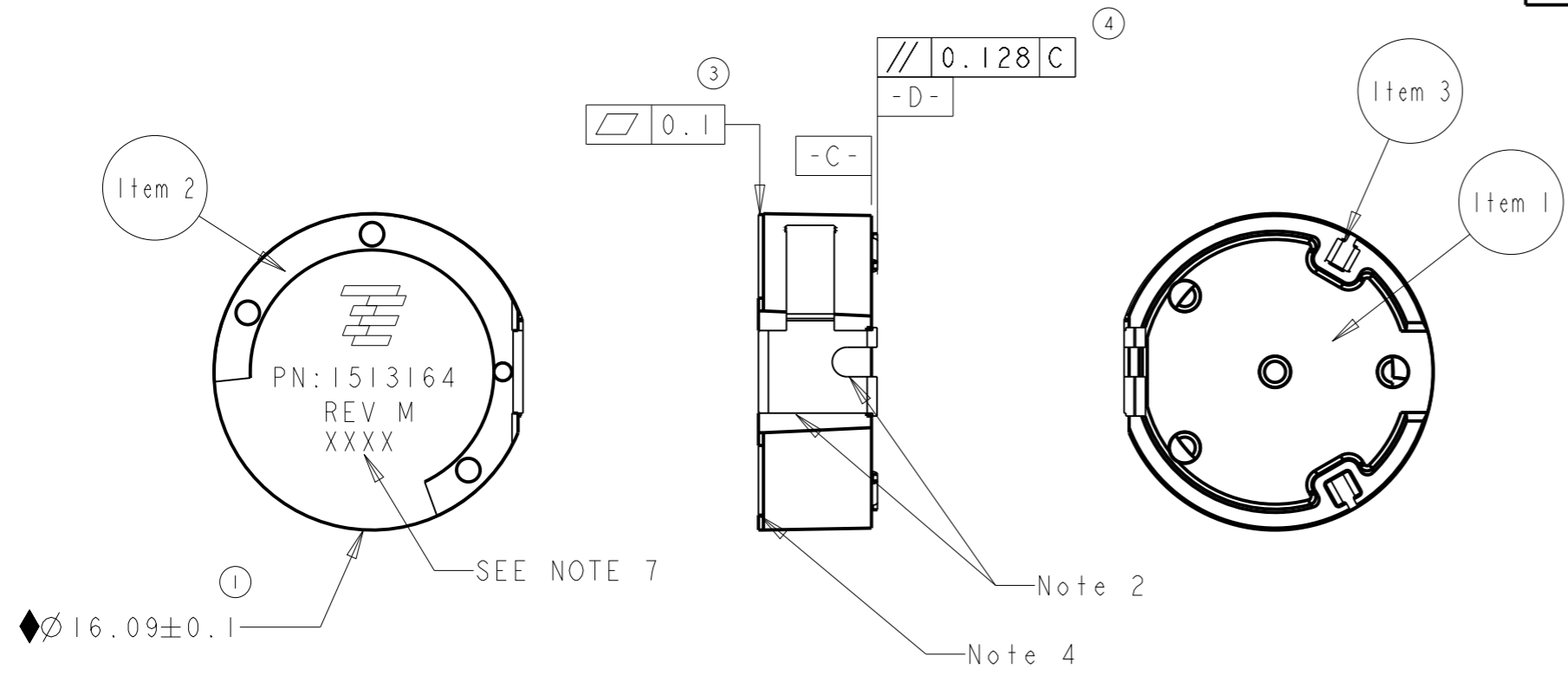
3

2

1

THIS DRAWING IS UNPUBLISHED. RELEASED FOR PUBLICATION 20
© COPYRIGHT 20 BY - ALL RIGHTS RESERVED.

LOC	DIST	REVISIONS					
		P	LTR	DESCRIPTION	DATE	DWN	APVD
HQ	00		M1	REVISED PER ECO-11-005027	12MAR2011	RK	HMR
			M2	REV PER ECO-14-008663	10JUN2014	KF	PG



NOTES:

1. Material- Dupont Zenite 6130L BK010
2. General tolerance block applies unless otherwise specified.
3. Part is RoHS compliant per TE CONNECTIVITY standard TEC-138-702
4. Part will be identified with part number, rev letter, TE logo and 4 digit date code. 1st two digits for the year and the 2nd two digits for the week.
5. Consult TE CONNECTIVITY data sheet 1513164

◆ ONGOING STATISTICAL PROCESS CONTROL REQUIRED (TOTAL 2 PCS.)

1513164-1
SCALE 2:1

THIS DRAWING IS A CONTROLLED DOCUMENT.		DWN MAH 29JAN2007		
DIMENSIONS: mm		CHK -		
TOLERANCES UNLESS OTHERWISE SPECIFIED:		APVD -	NAME	
0 PLC ±0.10	1 PLC ±0.10	PRODUCT SPEC -	2.4/5 GHz Dual Band Antenna	
2 PLC ±0.05	3 PLC ±0.05	APPLICATION SPEC -	SIZE A3	CAGE CODE 00779
4 PLC ±0.01	ANGLES ±1°	WEIGHT -	DRAWING NO C=1513164	RESTRICTED TO -
MATERIAL -	FINISH -	CUSTOMER DRAWING		SCALE 3:1 SHEET 1 OF 2 REV M2

4

3

2

1

THIS DRAWING IS UNPUBLISHED.

RELEASED FOR PUBLICATION

20

© COPYRIGHT 20

BY -

ALL RIGHTS RESERVED.

LOC

DIST

REVISIONS

HQ

00

P

LTR

DESCRIPTION

DATE

DWN

APVD

SEE SHEET 1

SECTION Z-Z

1 ORIENT PARTS AS SHOWN.

2. PARTS ARE COMPLIANT TO RoHS STANDARDS PER TE CONNECTIVITY STANDARD TEC-138-702.

3. ALL INFORMATION ON THIS DRAWING IS CONFIDENTIAL AND PROPRIETARY TO TE CONNECTIVITY.

THIS DRAWING IS A CONTROLLED DOCUMENT.		DWN	MAH		29JAN2007			
		CHK	-		-			
		APVD	-		-		NAME	
		PRODUCT SPEC	-		-		2.4/5 GHz Dual Band Antenna	
		APPLICATION SPEC	-		-		RESTRICTED TO	
MATERIAL		FINISH	-		SIZE	CAGE CODE	DRAWING NO	
					A3	00779	C-1513164	
					CUSTOMER DRAWING		SCALE	SHEET
							3:1	2 OF 2
								REV
								M2

1470-19 (3/11)

X-ON Electronics

Largest Supplier of Electrical and Electronic Components

Click to view similar products for [Antennas](#) category:

Click to view products by [TE Connectivity](#) manufacturer:

Other Similar products are found below :

[GAN30084EU](#) [930-033-R](#) [GW17.07.0250E](#) [1513563-1](#) [EXE902SM](#) [APAMPG-117](#) [MAF94383](#) [W3908B0100](#) [W6102B0100](#) [YE572113-30RSMM](#) [108-00014-50](#) [66089-2406](#) [SPDA17RP918](#) [A09-F8NF-M](#) [A09-F5NF-M](#) [RGFRA1903041A1T](#) [W3593B0100](#) [W3921B0100](#) [SIMNA-868](#) [SIMNA-915](#) [SIMNA-433](#) [W1044](#) [W1049B090](#) [A75-001](#) [WTL2449CQ1-FRSMM](#) [CPL9C](#) [EXB148BN](#) [0600-00060](#) [TRA9020S3PBN-001](#) [Y4503](#) [GD5W-28P-NF](#) [MA9-7N](#) [GD53-25](#) [GD5W-21P-NF](#) [C37](#) [MAF94051](#) [MA9-5N](#) [EXD420PL](#) [B1322NR](#) [QWFTB120](#) [MAF94271](#) [MAF94300](#) [GPSMB301](#) [FG4403](#) [AO-AGSM-OM54](#) [5200232](#) [MIKROE-2349](#) [WCM.01.0111](#) [MIKROE-2393](#) [MIKROE-2352](#)