

THIS DRAWING IS UNPUBLISHED.

RELEASED FOR PUBLICATION

20

LOC

DIST

REVISIONS

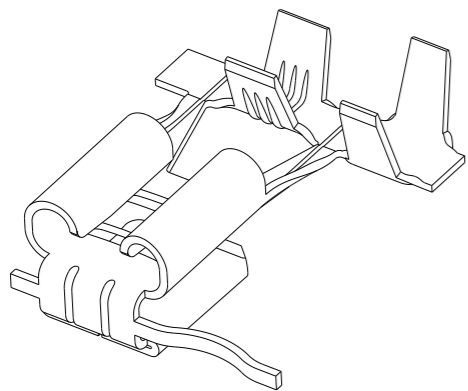
© COPYRIGHT 20

ALL RIGHTS RESERVED.

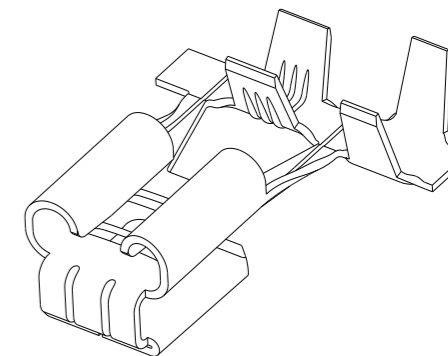
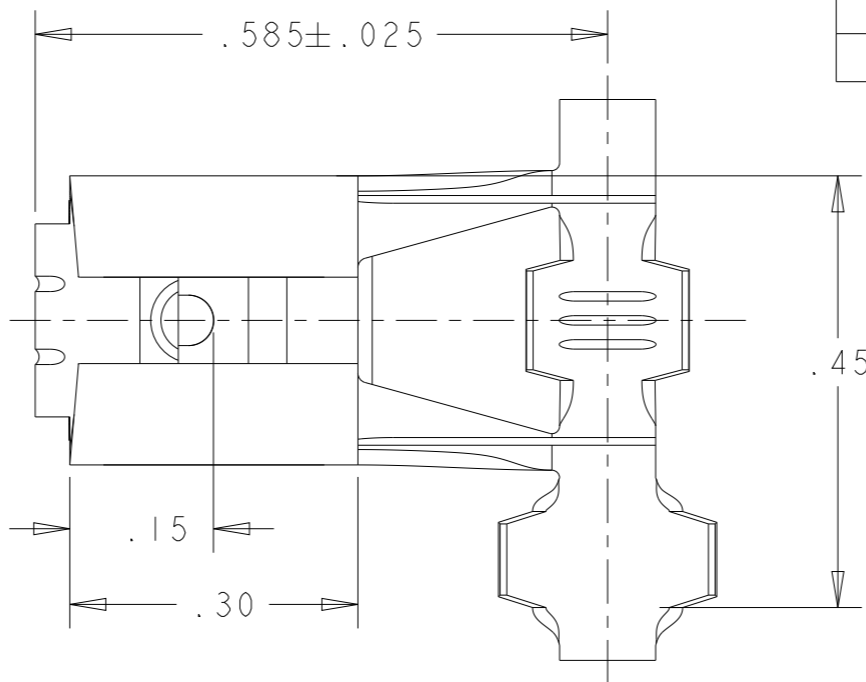
IR

B

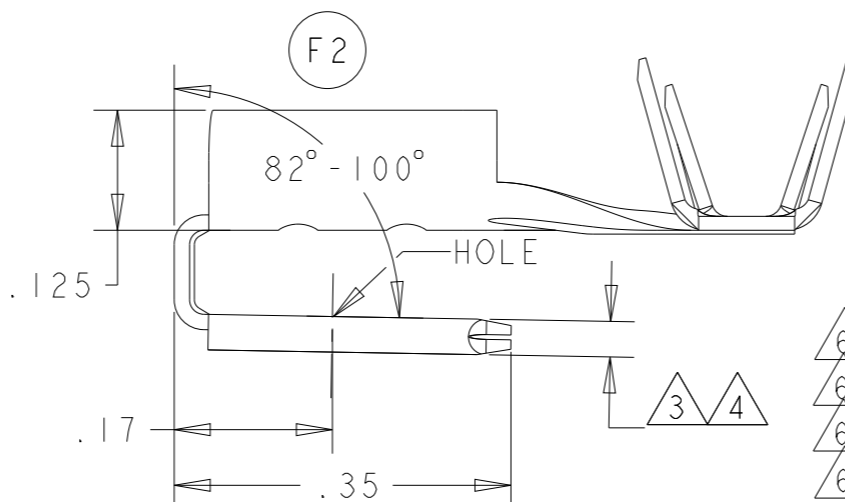
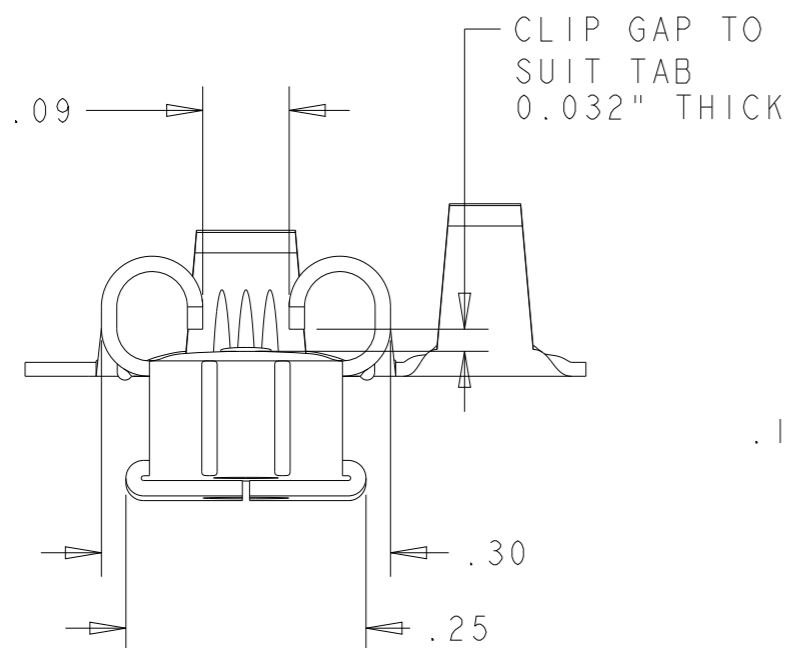
P	LTR	DESCRIPTION	DATE	DWN	APVD
	F	ECR-06-000712	11/01/06	MJG	JA
	F1	ECR-10-022530	02FEB11	KK	HMR
	F2	TAB BENT ANGLE DIM. ADDED	27JUL2011	PKS	RRP
	F3	REVISED PER ECR-21-100552	09MAR2021	PC	DH



1 PRODUCT MANUFACTURED WITH REAR CARRIER STRIP



2 PRODUCT MANUFACTURED WITHOUT REAR CARRIER STRIP



6	4	2	ELECTRO-TIN	+51321-8
6	4	2	UNPLATED	+51321-7
6	4	1	ELECTRO-TIN	+51321-6
6	4	1	UNPLATED	+51321-5
	3	2	ELECTRO-TIN	151321-4
	3	2	UNPLATED	151321-3
	3	1	ELECTRO-TIN	151321-2
	3	1	UNPLATED	151321-1
	TAB	CARRIER	FINISH	PART NO

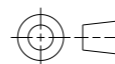
NOTES:

- 1 PRODUCT MANUFACTURED WITH REAR CARRIER STRIP
- 2 PRODUCT MANUFACTURED WITHOUT REAR CARRIER STRIP
- 3 STANDARD TAB
- 4 LOW INSERTION TAB
- 5. TERMINAL DESIGNED FOR WIRE RANGE 18-14 AWG WITH INSULATION RANGE 0.120" TO 0.0170"
- 6 OBSOLETE

THIS DRAWING IS A CONTROLLED DOCUMENT.

DIMENSIONS: INCHES

TOLERANCES UNLESS OTHERWISE SPECIFIED:



0 PLC	±.02
1 PLC	±.02
2 PLC	±.02
3 PLC	±.02
4 PLC	±.02
ANGLES	±1
FINISH	SEE TABLE

MATERIAL BRASS

DWN A. J. BEKEN 13/09/00

CHK R. GOODALL 13/09/00

APVD F. W. K 13/09/00

PRODUCT SPEC

APPLICATION SPEC

WEIGHT -

CUSTOMER DRAWING



FLAG FASTON, PIGGY BACK .250 SERIES

NAME

SIZE CAGE CODE DRAWING NO RESTRICTED TO

A300779 C-151321

SCALE 5:1 SHEET 1 OF 1 REV F3

X-ON Electronics

Largest Supplier of Electrical and Electronic Components

Click to view similar products for [Terminals](#) category:

Click to view products by [TE Connectivity](#) manufacturer:

Other Similar products are found below :

[00-054007-01074-6](#) [00-054007-70206-1](#) [00-054007-70210-8](#) [00-054007-70217-7](#) [00-054007-70226-9](#) [00-054007-70228-3](#) [00-054007-70248-1](#) [00-054007-70256-6](#) [00-054007-70301-3](#) [00-054007-70316-7](#) [0-0320562-0](#) [00-054007-49560-4](#) [00-054007-70209-2](#) [00-054007-70225-2](#) [00-054007-70227-6](#) [00-054007-70231-3](#) [00-054007-70241-2](#) [00-054007-70242-9](#) [00-054007-70244-3](#) [00-054007-70246-7](#) [00-054007-70263-4](#) [00-054007-70288-7](#) [00-054007-70290-0](#) [00-054007-70300-6](#) [00-054007-70304-4](#) [01-2065-1-0216](#) [01-2900-1-04412](#) [00581P0075](#) [600TS-10](#) [60205-1](#) [604200-1](#) [605601-1](#) [60598-1-CUT-TAPE](#) [61314-6-C](#) [61810-3](#) [61-S](#) [61-SN](#) [626-0194](#) [62-NBM-A](#) [62-SN](#) [62-SP](#) [63-S](#) [640179-1](#) [M55155/059I03](#) [M55155/079C01](#) [M55155/099H02](#) [M55155/109H01](#) [M55155/109H02](#) [M55155/12XH05](#) [M55155/16XH02](#)