

THIS DRAWING IS UNPUBLISHED.

RELEASED FOR PUBLICATION

20

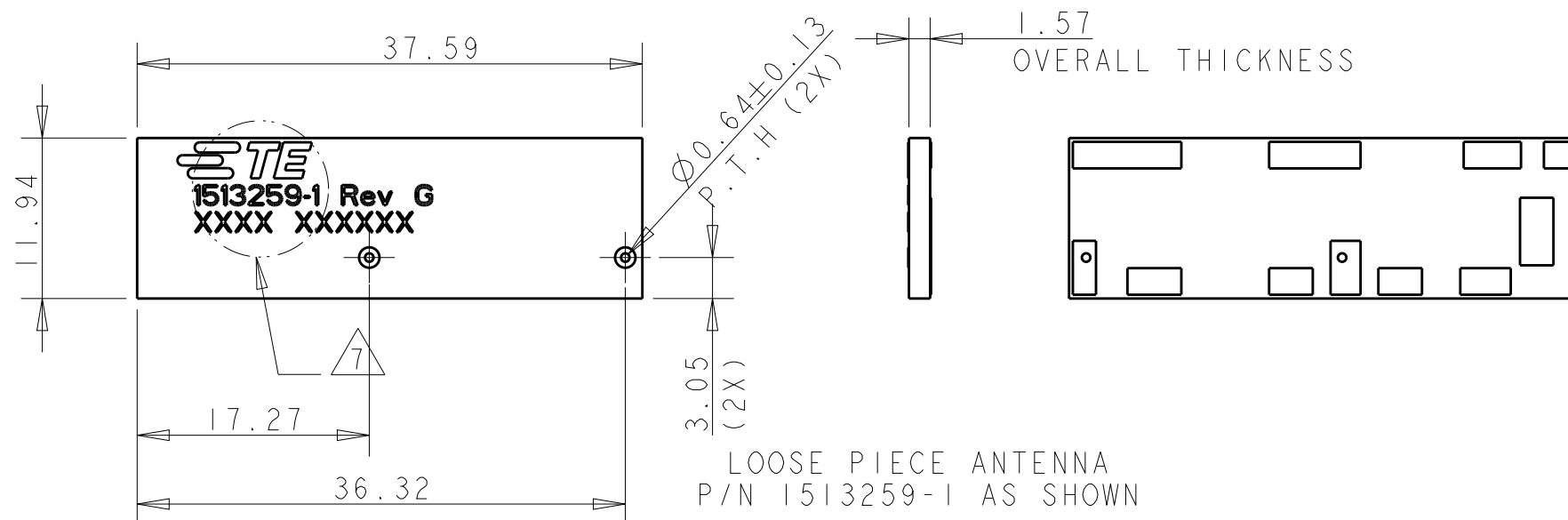
© COPYRIGHT 20 BY -

ALL RIGHTS RESERVED.

LOC HQ DIST 00

REVISIONS

P	LTR	DESCRIPTION	DATE	DWN	APVD
	E3	REVISED PER ECO-12-0016455	12SEP2012	DW	GG
	F	REVISED PER ECO-20-004473	27MAR2020	SJ	JH
	G	REVISED PER ECO-20-008821	24JUN2020	SJ	JH



NOTES: UNLESS OTHERWISE SPECIFIED.

- FABRICATE TO MEET IPC - 6012, CLASS 2. INSPECT TO MEET IPC - A - 600, CLASS 2.
- MATERIAL: FR-4 PCB, 1.57 THK.
- FINISH:
A: SOLDERMASK BOTH SIDES: ORANGE.
B: ENIG PLATING.
- PACKAGING: SINGULATED PARTS TO BE SECURELY SHRINK WRAPPED, BAGGED OR VACUUM PACKED IN BULK FOR TAPE AND REEL, SEE SHEET 2.
- CONSULT TE CONNECTIVITY DATA SHEET DSI513259.
- GENERAL TOLERANCES : ± 0.2 .
- SILKSCREEN; WHITE EPOXY INK.
A. TE LOGO, TE P/N
B. WORD REV., FOLLOWED BY THE LATEST REVISION LETTER, AS SHOWN.
C. 4 DIGIT DATE CODE: FIRST 2 DIGITS FOR THE WEEK CODE AND THE 2ND TWO DIGITS FOR THE YEAR CODE.
OTHERS: SPECIFIC TE SOURCE CODE NUMBER DIGITS AS REQUIRED.

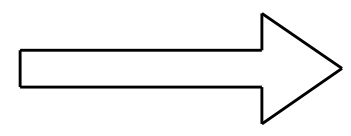
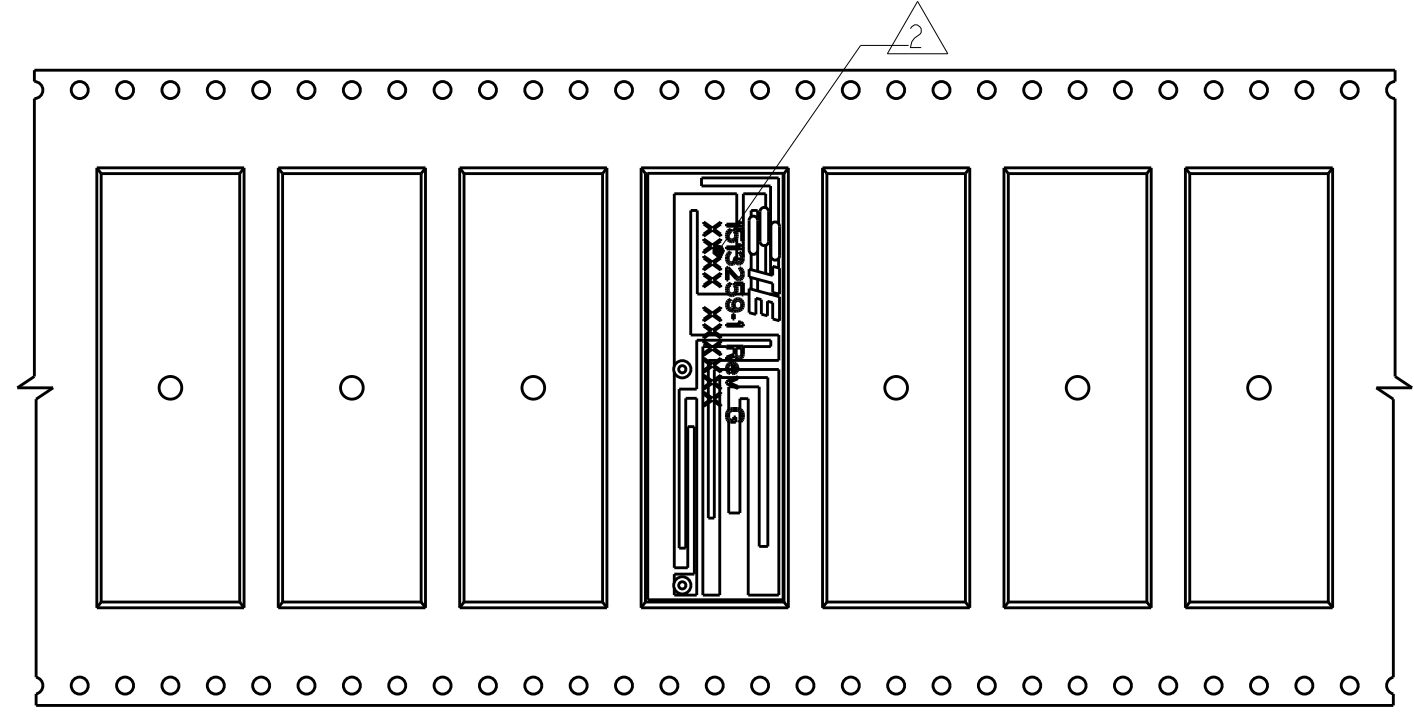
FOR BULK PACKAGING, ORDER P/N 1513259-1
FOR TAPE & REEL PACKAGING, ORDER P/N 1513259-9

THIS DRAWING IS A CONTROLLED DOCUMENT.		DWN DJL 13MAR2007	TE Connectivity			
DIMENSIONS: mm		CHK -				
TOLERANCES UNLESS OTHERWISE SPECIFIED:		APVD -	NAME World GSM Antenna			
0 PLC \pm		PRODUCT SPEC -				
1 PLC \pm		APPLICATION SPEC -	SIZE A3	CAGE CODE 00779	DRAWING NO C-1513259	RESTRICTED TO
2 PLC \pm		WEIGHT -	CUSTOMER DRAWING			
3 PLC \pm			SCALE 2:1	SHEET 1 OF 2	REV G	
4 PLC \pm						
ANGLES \pm						
FINISH -						


THIS DRAWING IS UNPUBLISHED. RELEASED FOR PUBLICATION 20
 © COPYRIGHT 20 BY - ALL RIGHTS RESERVED.


LOC	DIST	REVISIONS					
		P	LTR	DESCRIPTION	DATE	DWN	APVD
HQ	00			SEE SHEET 1	-	-	-

1513259-9 AS SHOWN



UNREELING DIRECTION

- NOTES: UNLESS OTHERWISE SPECIFIED.
- REFER TO TE CONNECTIVITY DRAWING NO. C-1533293 (PN: 1533293-7) FOR PACKAGING CONTROLLED DOCUMENT SPECIFICATION.
 -  ORIENT PARTS AS SHOWN.
 - PARTS ARE COMPLIANT TO RoHS STANDARDS PER TE CONNECTIVITY STANDARD TEC-138-702
 - ALL INFORMATION ON THIS DRAWING IS CONFIDENTIAL AND PROPRIETARY TO TE CONNECTIVITY.

THIS DRAWING IS A CONTROLLED DOCUMENT.		DWN DJI	13MAR2007	 TE Connectivity	
DIMENSIONS: mm		CHK -	APVD -		
TOLERANCES UNLESS OTHERWISE SPECIFIED: 0 PLC ±- 1 PLC ±- 2 PLC ±- 3 PLC ±- 4 PLC ±- ANGLES ±-		PRODUCT SPEC -	APPLICATION SPEC -	SIZE A3	CAGE CODE 00779
MATERIAL -		FINISH -	WEIGHT -	DRAWING NO C-1513259	RESTRICTED TO
CUSTOMER DRAWING			SCALE 2:1	SHEET 2	OF 2
				REV G	

X-ON Electronics

Largest Supplier of Electrical and Electronic Components

Click to view similar products for [Antennas](#) category:

Click to view products by [TE Connectivity](#) manufacturer:

Other Similar products are found below :

[GAN30084EU](#) [930-033-R](#) [GW17.07.0250E](#) [1513563-1](#) [EXE902SM](#) [APAMPG-117](#) [MAF94383](#) [W3908B0100](#) [W6102B0100](#) [YE572113-30RSMM](#) [108-00014-50](#) [66089-2406](#) [SPDA17RP918](#) [A09-F8NF-M](#) [A09-F5NF-M](#) [RGFRA1903041A1T](#) [W3593B0100](#) [W3921B0100](#) [SIMNA-868](#) [SIMNA-915](#) [SIMNA-433](#) [W1044](#) [W1049B090](#) [A75-001](#) [WTL2449CQ1-FRSMM](#) [CPL9C](#) [EXB148BN](#) [0600-00060](#) [TRA9020S3PBN-001](#) [GD5W-28P-NF](#) [MA9-7N](#) [GD53-25](#) [GD5W-21P-NF](#) [C37](#) [MAF94051](#) [MA9-5N](#) [EXD420PL](#) [B1322NR](#) [QWFTB120](#) [MAF94271](#) [MAF94300](#) [GPSMB301](#) [FG4403](#) [AO-AGSM-OM54](#) [5200232](#) [MIKROE-2349](#) [WCM.01.0111](#) [MIKROE-2393](#) [MIKROE-2352](#) [MIKROE-2350](#)