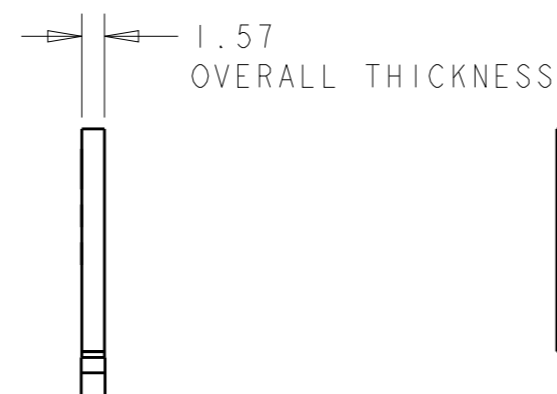
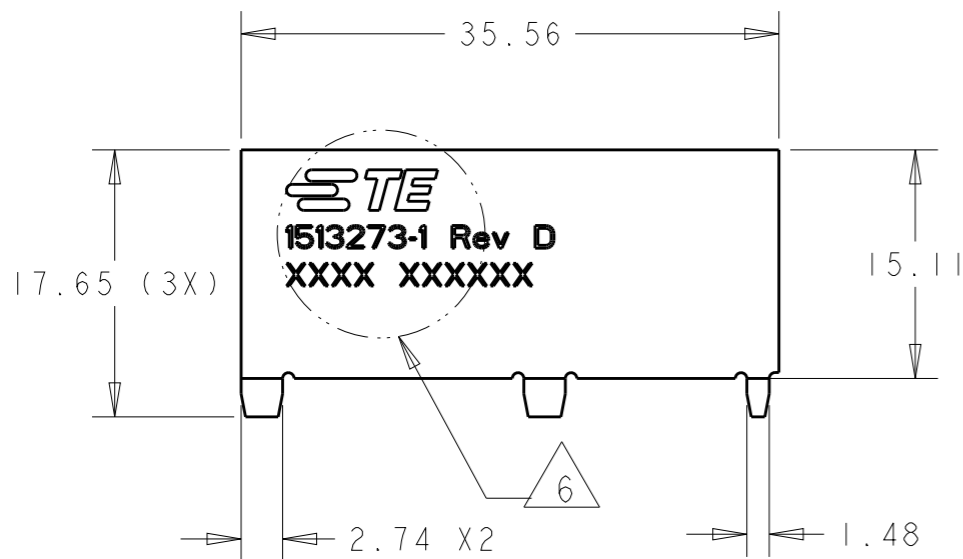


P	LTR	DESCRIPTION	DATE	DWN	APVD
	A	RELEASED	14NOV2008	DJL	MAH
	B	UPDATE DRAWING	19AUG2009	APV	APV
	D	REVISED PER ECO-20-006487	08MAY2020	SJ	JH



1513273-1 AS SHOWN

NOTES: UNLESS OTHERWISE SPECIFIED.

- FABRICATE TO MEET IPC - 6013, CLASS 2.  
INSPECT TO MEET IPC - A - 600, CLASS 2.
- MATERIAL : FR-4 PCB.
- FINISH:  
A: SOLDERMASK BOTH SIDES: ORANGE.  
B: ENIG PLATING.
- PACKAGING: SINGULATED PARTS TO BE SECURELY SHRINK WRAPPED, BAGGED OR VACUUM PACKED IN BULK.
- CONSULT TE CONNECTIVITY DATA SHEET DS1513273.
- SILKSCREEN; WHITE EPOXY INK.  
A. TE LOGO, TE P/N  
B. WORD REV., FOLLOWED BY THE LATEST REVISION LETTER, AS SHOWN.  
C. 4 DIGIT DATE CODE: FIRST 2 DIGITS FOR THE WEEK CODE AND THE 2ND TWO DIGITS FOR THE YEAR CODE.  
5 DIGIT CODE: SPECIFIC TE SOURCE CODE NUMBER DIGITS AS REQUIRED.

THIS DRAWING IS A CONTROLLED DOCUMENT.		DWN DJL	14NOV2008	TE Connectivity	
DIMENSIONS: mm		CHK -	APVD -		
TOLERANCES UNLESS OTHERWISE SPECIFIED: 0 PLC ± 1 PLC ± 2 PLC ± 3 PLC ± 4 PLC ± ANGLES ±		PRODUCT SPEC -	APPLICATION SPEC -	SIZE A3	CAGE CODE 00779
MATERIAL -	FINISH -	WEIGHT -	DRAWING NO C-1513273	RESTRICTED TO	
material_2	finish_spec_2	CUSTOMER DRAWING		SCALE 2:1	SHEET 1 OF 1
				REV D	

## X-ON Electronics

Largest Supplier of Electrical and Electronic Components

*Click to view similar products for [Antennas](#) category:*

*Click to view products by [TE Connectivity](#) manufacturer:*

Other Similar products are found below :

[GAN30084EU](#) [930-033-R](#) [GW17.07.0250E](#) [1513563-1](#) [EXE902SM](#) [APAMPG-117](#) [MAF94383](#) [W3908B0100](#) [W6102B0100](#) [YE572113-30RSMM](#) [108-00014-50](#) [66089-2406](#) [SPDA17RP918](#) [A09-F8NF-M](#) [A09-F5NF-M](#) [RGFRA1903041A1T](#) [W3593B0100](#) [W3921B0100](#) [SIMNA-868](#) [SIMNA-915](#) [SIMNA-433](#) [W1044](#) [W1049B090](#) [A75-001](#) [WTL2449CQ1-FRSMM](#) [CPL9C](#) [EXB148BN](#) [0600-00060](#) [TRA9020S3PBN-001](#) [Y4503](#) [GD5W-28P-NF](#) [MA9-7N](#) [GD53-25](#) [GD5W-21P-NF](#) [C37](#) [MAF94051](#) [MA9-5N](#) [EXD420PL](#) [B1322NR](#) [QWFTB120](#) [MAF94271](#) [MAF94300](#) [GPSMB301](#) [FG4403](#) [AO-AGSM-OM54](#) [5200232](#) [MIKROE-2349](#) [WCM.01.0111](#) [MIKROE-2393](#) [MIKROE-2352](#)