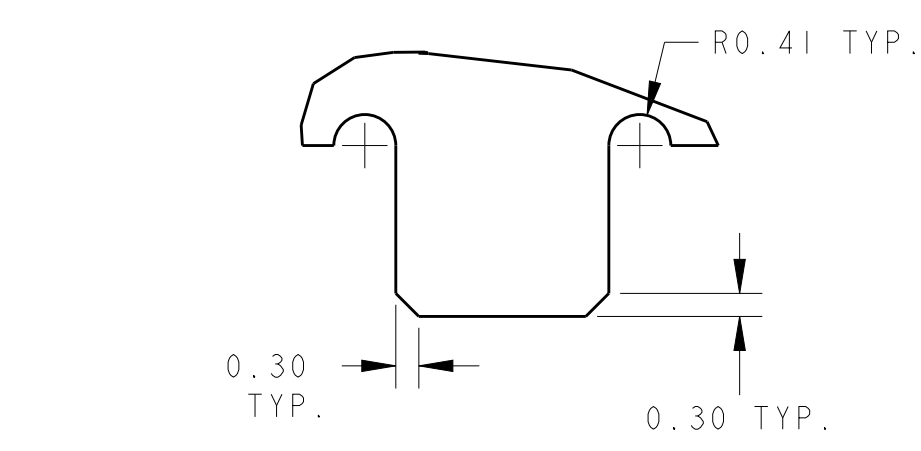
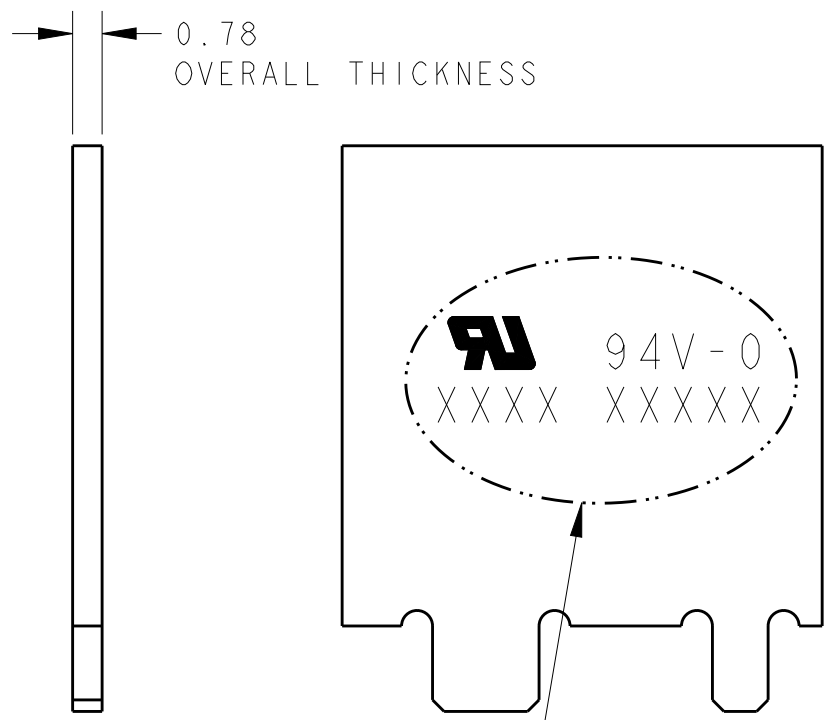
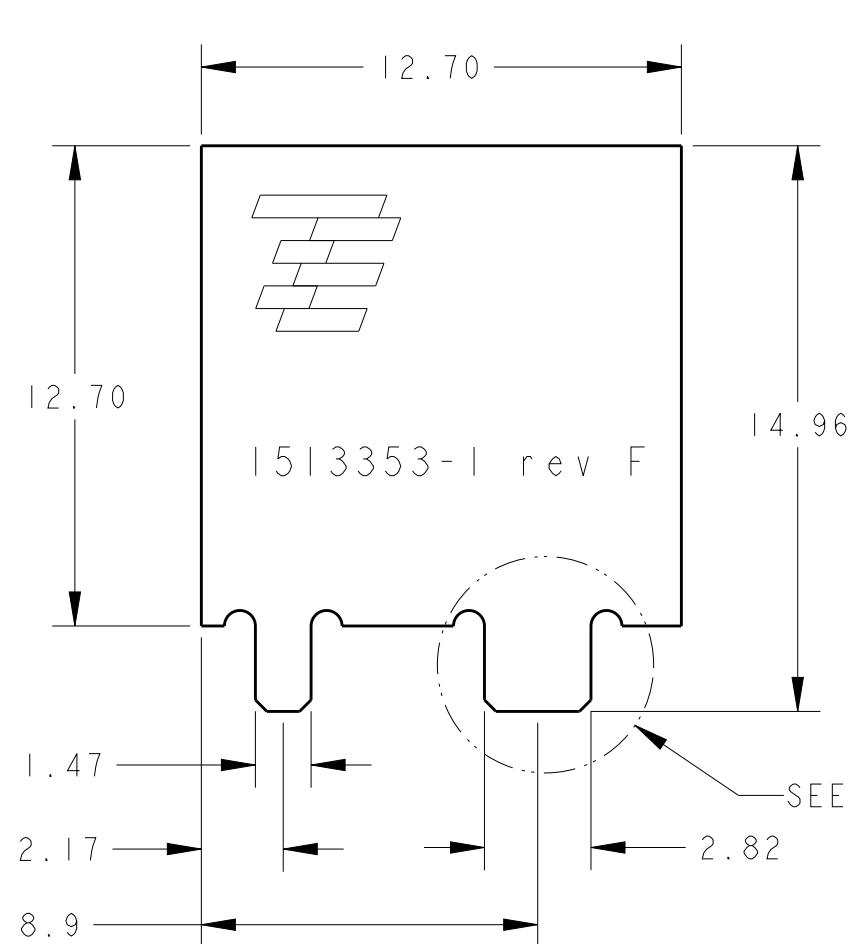


THIS DRAWING IS UNPUBLISHED. RELEASED FOR PUBLICATION 20
 © COPYRIGHT 20 BY TYCO ELECTRONICS CORPORATION. ALL RIGHTS RESERVED.

LOC	DIST	REVISIONS			
P	LTR	DESCRIPTION	DATE	DWN	APVD
HQ	00				
	D	Modified silkscreen and notes	13MAR2009	VG	MAH
	DI	Modified notes	26MAR2009	VG	MAH
	E	Updated dims / logo, and notes	20AUG2009	APV	MAH
	F	REVISED PER ECO-20-004939	07APR2020	SJ	JH



DETAIL A
SCALE 10:1

SEE DETAIL A
 4 DIGIT DATE CODE AND
 TE VENDOR SOURCE CODE

- NOTES: UNLESS OTHERWISE SPECIFIED.
- FABRICATED TO MEET IPC - 6012, CLASS 2. INSPECT TO MEET IPC - A - 600, CLASS 2.
 - MATERIAL: TU863 0.71 THK. P/N ML200D, 1/2 OZ. COPPER BOTH SIDES DIELECTRIC CONSTANT @ 1MHz 4.2 ± 0.1.
 - FINISH:
 A: SOLDERMASK OVER BARE COPPER (SMOBC).
 B: MASK BOTH SIDES OF PCB WITH LPI SOLDERMASK. SOLDERMASK COLOR: ORANGE.
 C: TOP AND BOTTOM OF TABS E.N.I.G PLATING
 - TWO PLACE TOLERANCES: ±0.23
 - PACKAGING: SINGULATED PARTS TO BE VACUUM PACKED IN BULK.
 - PARTS ARE COMPLIANT TO ROHS STANDARDS PER TYCO ELECTRONICS STANDARD TEC-138-702.
 - CONSULT TYCO ELECTRONICS DATA SHEET DS1513353
 - CONTACT TYCO ELECTRONICS ENGINEERING PRIOR TO DESIGNING INTO AN APPLICATION
 - PRIMARY AND SECONDARY SIDES SHOWN.

THIS DRAWING IS A CONTROLLED DOCUMENT FOR TYCO ELECTRONICS CORPORATION. IT IS SUBJECT TO CHANGE AND THE CONTROLLING ENGINEERING ORGANIZATION SHOULD BE CONTACTED FOR THE LATEST REVISION.		DWN DJI	14DEC2006	Tyco Electronics Rochester, New York 14623	
DIMENSIONS: mm		CHK -	-	NAME 2.4 GHz PCB Antenna	
TOLERANCES UNLESS OTHERWISE SPECIFIED: 0 PLC ±- 1 PLC ±- 2 PLC ±- 3 PLC ±- 4 PLC ±- ANGLES ±-		APVD -	-	PRODUCT SPEC -	
MATERIAL -	FINISH -	APPLICATION SPEC -	-	SIZE A3	CAGE CODE 00779
CUSTOMER DRAWING		WEIGHT -	-	DRAWING NO G-1513353	RESTRICTED TO
		SCALE 5:1		SHEET 1 OF 1	REV F

X-ON Electronics

Largest Supplier of Electrical and Electronic Components

Click to view similar products for [Antennas](#) category:

Click to view products by [TE Connectivity](#) manufacturer:

Other Similar products are found below :

[GAN30084EU](#) [930-033-R](#) [GW17.07.0250E](#) [1513563-1](#) [EXE902SM](#) [APAMPG-117](#) [MAF94383](#) [W3908B0100](#) [W6102B0100](#) [YE572113-30RSMM](#) [108-00014-50](#) [66089-2406](#) [SPDA17RP918](#) [A09-F8NF-M](#) [A09-F5NF-M](#) [RGFRA1903041A1T](#) [W3593B0100](#) [W3921B0100](#) [SIMNA-868](#) [SIMNA-915](#) [SIMNA-433](#) [W1044](#) [W1049B090](#) [A75-001](#) [WTL2449CQ1-FRSMM](#) [CPL9C](#) [EXB148BN](#) [0600-00060](#) [TRA9020S3PBN-001](#) [Y4503](#) [GD5W-28P-NF](#) [MA9-7N](#) [GD53-25](#) [GD5W-21P-NF](#) [C37](#) [MAF94051](#) [MA9-5N](#) [EXD420PL](#) [B1322NR](#) [QWFTB120](#) [MAF94271](#) [MAF94300](#) [GPSMB301](#) [FG4403](#) [AO-AGSM-OM54](#) [5200232](#) [MIKROE-2349](#) [WCM.01.0111](#) [MIKROE-2393](#) [MIKROE-2352](#)