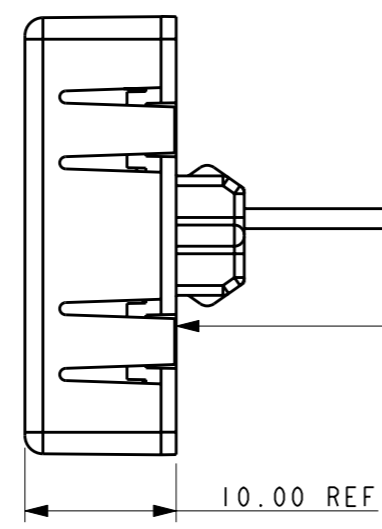
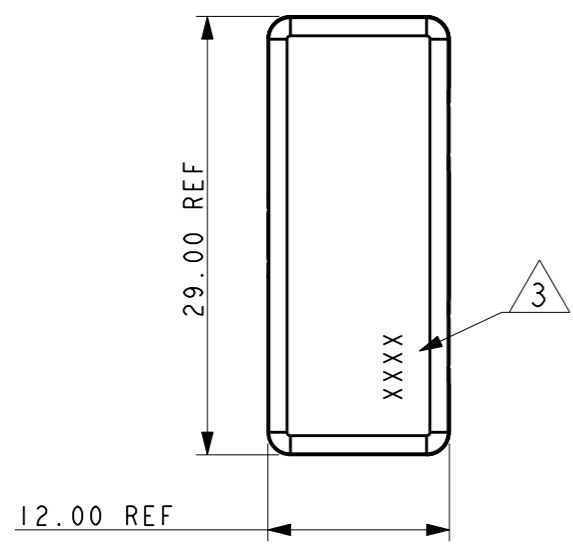
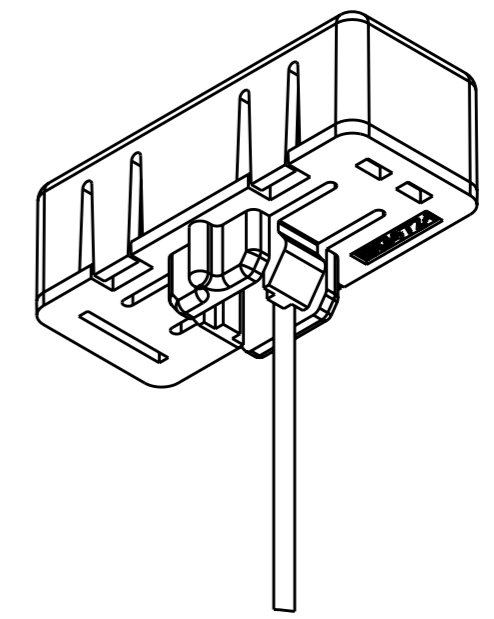
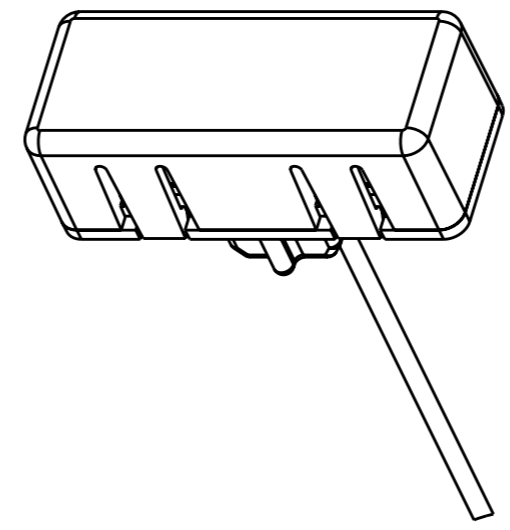
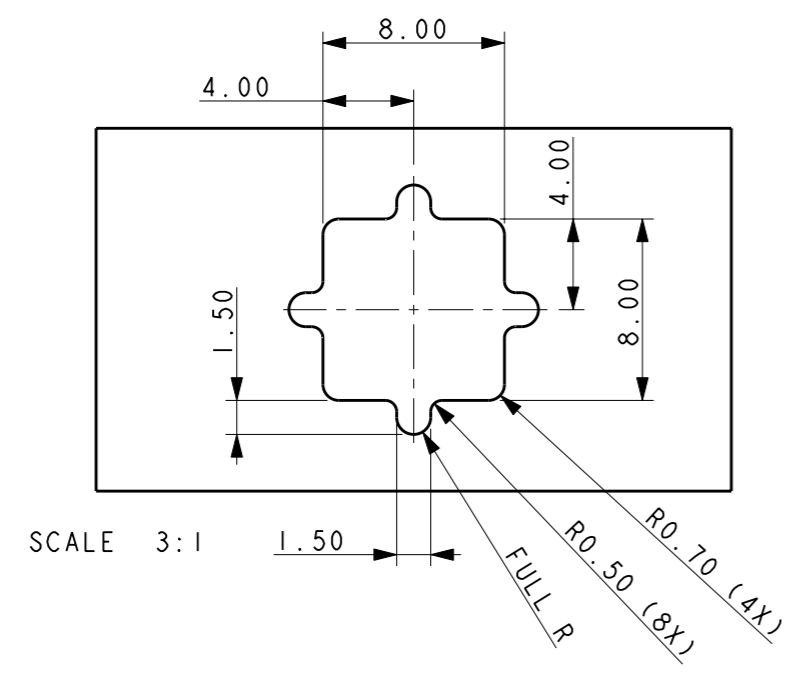


THIS DRAWING IS UNPUBLISHED. RELEASED FOR PUBLICATION
 © COPYRIGHT - BY TYCO ELECTRONICS CORPORATION. ALL RIGHTS RESERVED.

LOC	DIST	REVISIONS			
P	LTR	DESCRIPTION	DATE	DWN	APVD
AJ	00	A	RELEASE	31AUG2010	DW GG

PANEL CUTOUT DIMENSIONS
 (Tolerances .XX ±0.1)



365±25

CENTER LINE OF CENTER CONTACT

ORDER P/N 1513381-1

NOTES: UNLESS OTHERWISE SPECIFIED.

- 1 MINI COAX CABLE DIAMETER 1.13 mm TERMINATED WITH U.FL CONNECTOR.
- 2. COMPONENTS AND ASSEMBLY ARE COMPLIANT TO RoHS STANDARDS.
- 3 4 DIGIT DATE CODE IN THIS AREA. FIRST 2 DIGITS DESIGNATE THE YEAR CODE AND THE THIRD AND FORTH DIGITS DESIGNATE THE WEEK.

<small>THIS DRAWING IS A CONTROLLED DOCUMENT FOR TYCO ELECTRONICS CORPORATION IT IS SUBJECT TO CHANGE AND THE CONTROLLING ENGINEERING ORGANIZATION SHOULD BE CONTACTED FOR THE LATEST REVISION.</small>		DWN	29MAR2010		Tyco Electronics Rochester, NY 14623						
DIMENSIONS:		CHK	-								
mm		APVD	-		NAME						
		PRODUCT SPEC	-			UNIVERSAL ANTENNA MODULE (UAM) WLAN					
TOLERANCES UNLESS OTHERWISE SPECIFIED:		APPLICATION SPEC	-		SIZE	CAGE CODE	DRAWING NO	RESTRICTED TO			
0 PLC ±-		WEIGHT	-		A3	-	C-1513381	-			
1 PLC ±-		CUSTOMER DRAWING		SCALE	2:1	SHEET	1	OF	1	REV	A
2 PLC ±-											
3 PLC ±-											
4 PLC ±-											
ANGLES ±-											
MATERIAL -											
FINISH -											

X-ON Electronics

Largest Supplier of Electrical and Electronic Components

Click to view similar products for [Antennas](#) category:

Click to view products by [TE Connectivity](#) manufacturer:

Other Similar products are found below :

[GAN30084EU](#) [930-033-R](#) [GW17.07.0250E](#) [1513563-1](#) [EXE902SM](#) [APAMPG-117](#) [MAF94383](#) [W3908B0100](#) [W6102B0100](#) [YE572113-30RSMM](#) [108-00014-50](#) [66089-2406](#) [SPDA17RP918](#) [A09-F8NF-M](#) [A09-F5NF-M](#) [RGFRA1903041A1T](#) [W3593B0100](#) [W3921B0100](#) [SIMNA-868](#) [SIMNA-915](#) [SIMNA-433](#) [W1044](#) [W1049B090](#) [A75-001](#) [WTL2449CQ1-FRSMM](#) [CPL9C](#) [EXB148BN](#) [0600-00060](#) [TRA9020S3PBN-001](#) [Y4503](#) [GD5W-28P-NF](#) [MA9-7N](#) [GD53-25](#) [GD5W-21P-NF](#) [C37](#) [MAF94051](#) [MA9-5N](#) [EXD420PL](#) [B1322NR](#) [QWFTB120](#) [MAF94271](#) [MAF94300](#) [GPSMB301](#) [FG4403](#) [AO-AGSM-OM54](#) [5200232](#) [MIKROE-2349](#) [WCM.01.0111](#) [MIKROE-2393](#) [MIKROE-2352](#)