

THIS DRAWING IS UNPUBLISHED.

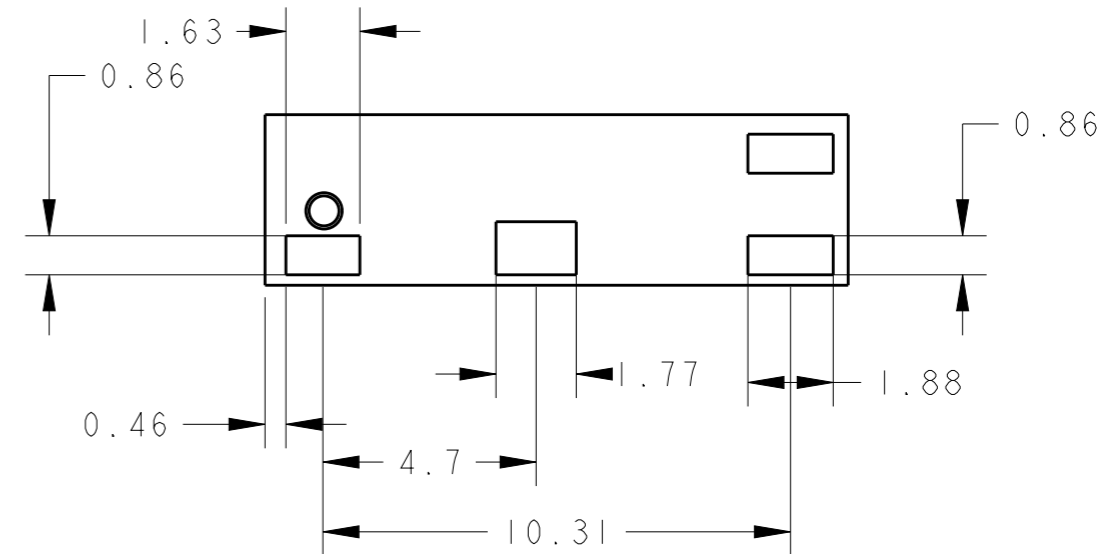
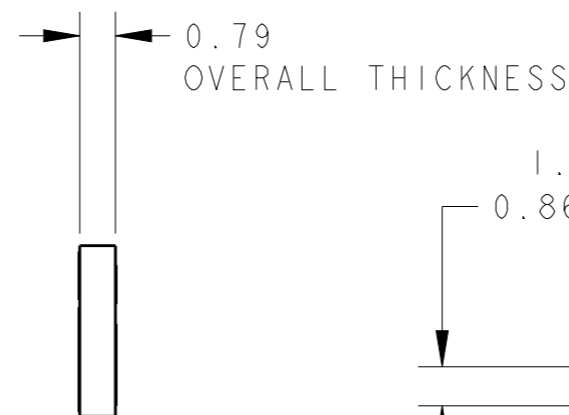
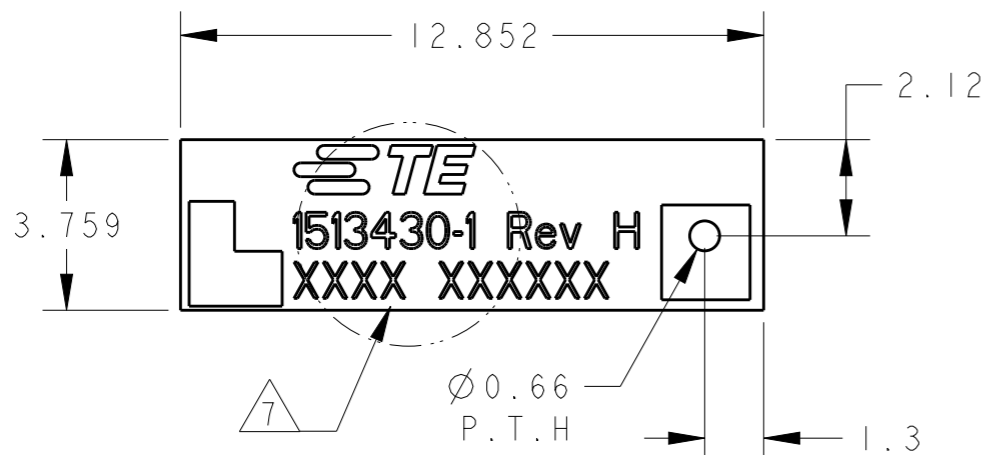
RELEASED FOR PUBLICATION

20

© COPYRIGHT 20 BY TYCO ELECTRONICS CORPORATION ALL RIGHTS RESERVED.

REVISIONS

P	LTR	DESCRIPTION	DATE	DWN	APVD
	G	REV PER ECO-15-002516	19FEB2015	KF	PG
	H	REV PER ECO-20-009357	03JUL2020	SJ	JH



1513430-2 AS SHOWN

NOTES: UNLESS OTHERWISE SPECIFIED.

- FABRICATE TO MEET IPC - 6013, CLASS 2. INSPECT TO MEET IPC - A - 600, CLASS 2.
- MATERIAL : FR-4 PCB. THK 0.76
- FINISH:  
A: SOLDERMASK BOTH SIDES COLOR: ORANGE.  
B: ENIG PLATING.
- GENERAL TOLRANCES : ±0.2.
- PACKAGING: SINGULATED PARTS TO BE SECURELY SHRINK WRAPPED, BAGGED OR VACUUM PACKED IN BULK FOR TAPE AND REEL, SEE SHEET 2.
- CONSULT TE CONNECTIVITY DATA SHEET DSI513430.
- SILKSCREEN; WHITE EPOXY INK.  
A. TE LOGO, TE P/N  
B. WORD REV., FOLLOWED BY THE LATEST REVISION LETTER, AS SHOWN.  
C. 4 DIGIT DATE CODE: FIRST 2 DIGITS FOR THE WEEK CODE AND THE 2ND TWO DIGITS FOR THE YEAR CODE. OTHERS : SPECIFIC TE INTERNAL USE ONLY.

BULK PACKAGED	1513430-2
TAPE AND REELED	1513430-1
PACKAGING	PART NUMBER

THIS DRAWING IS A CONTROLLED DOCUMENT.		DWN VG 19DEC2007	<b>TE Connectivity</b>				
DIMENSIONS: INCHES		CHK -					
TOLERANCES UNLESS OTHERWISE SPECIFIED:		APVD -	NAME 802.11b Diversity Antenna				
0 PLC ±- 1 PLC ±- 2 PLC ±- 3 PLC ±- 4 PLC ±- ANGLES ±-		PRODUCT SPEC -					
MATERIAL -		APPLICATION SPEC -	SIZE A3	CAGE CODE -	DRAWING NO. ©=1513430	RESTRICTED TO	
FINISH -		WEIGHT -	CUSTOMER DRAWING		SCALE 6:1	SHEET 1 OF 2	REV H

THIS DRAWING IS UNPUBLISHED.

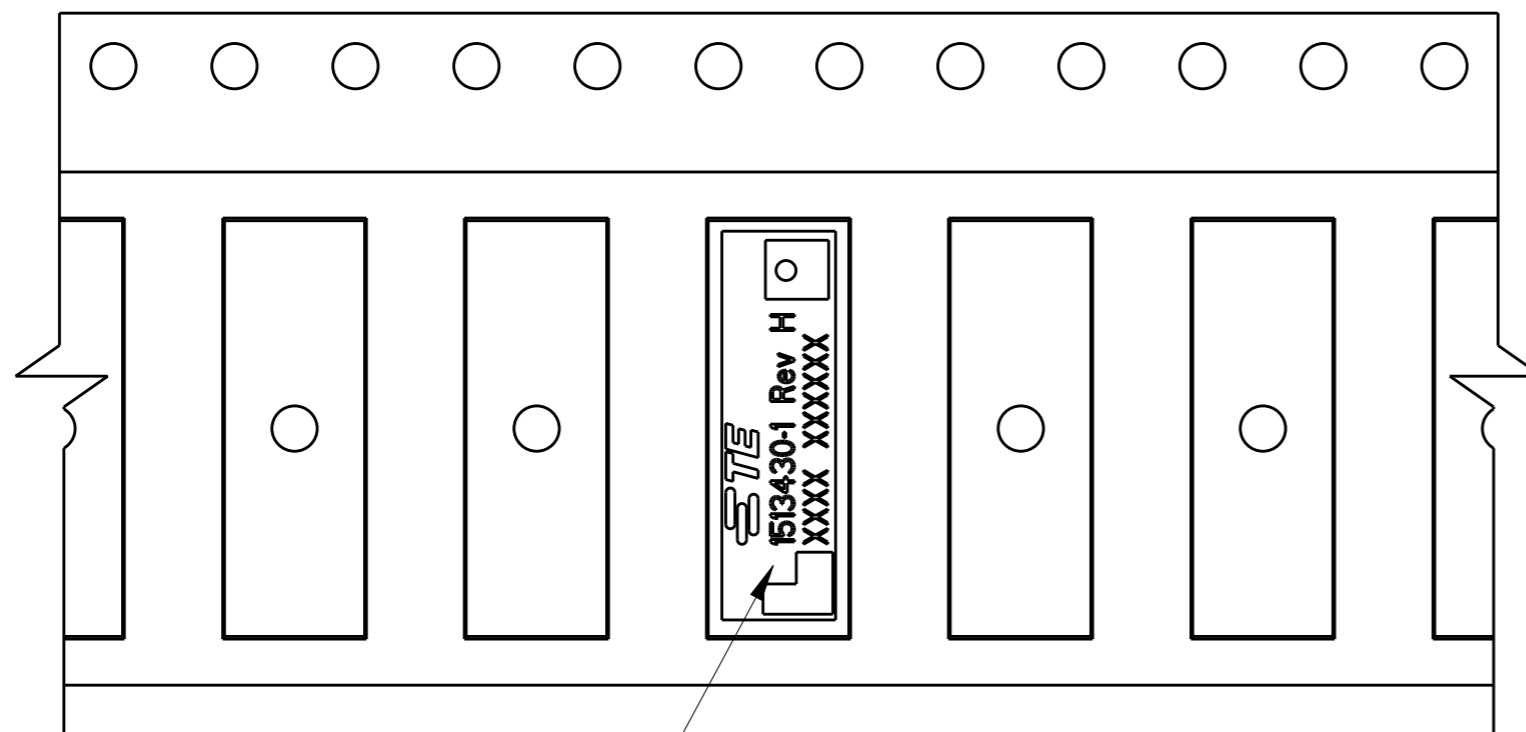
RELEASED FOR PUBLICATION

20

© COPYRIGHT 20 BY TYCO ELECTRONICS CORPORATION ALL RIGHTS RESERVED.

REVISIONS

P	LTR	DESCRIPTION	DATE	DWN	APVD
-		SEE SHEET 1	-	-	-


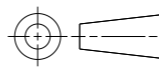


SEE NOTE 2

P/N 1513430-1 AS SHOWN

NOTES:

- 1. UNLESS OTHERWISE SPECIFIED.
- 2. ORIENT PARTS AS SHOWN.

THIS DRAWING IS A CONTROLLED DOCUMENT.		DWN VG 19DEC2007	 TE Connectivity		
DIMENSIONS: INCHES		CHK -			NAME 802.11b Diversity Antenna
		APVD -	PRODUCT SPEC -		
TOLERANCES UNLESS OTHERWISE SPECIFIED: 0 PLC ±- 1 PLC ±- 2 PLC ±- 3 PLC ±- 4 PLC ±- ANGLES ±-		APPLICATION SPEC -	RESTRICTED TO		
MATERIAL -	FINISH -	WEIGHT -	SIZE A3	CAGE CODE -	DRAWING NO. 1513430
		CUSTOMER DRAWING	SCALE 4:1	SHEET 2 OF 2	REV H

## X-ON Electronics

Largest Supplier of Electrical and Electronic Components

*Click to view similar products for [Antennas](#) category:*

*Click to view products by [TE Connectivity](#) manufacturer:*

Other Similar products are found below :

[GAN30084EU](#) [930-033-R](#) [GW17.07.0250E](#) [1513563-1](#) [EXE902SM](#) [APAMPG-117](#) [MAF94383](#) [W3908B0100](#) [W6102B0100](#) [YE572113-30RSMM](#) [108-00014-50](#) [66089-2406](#) [SPDA17RP918](#) [A09-F8NF-M](#) [A09-F5NF-M](#) [RGFRA1903041A1T](#) [W3593B0100](#) [W3921B0100](#) [SIMNA-868](#) [SIMNA-915](#) [SIMNA-433](#) [W1044](#) [W1049B090](#) [A75-001](#) [WTL2449CQ1-FRSMM](#) [CPL9C](#) [EXB148BN](#) [0600-00060](#) [TRA9020S3PBN-001](#) [GD5W-28P-NF](#) [MA9-7N](#) [GD53-25](#) [GD5W-21P-NF](#) [C37](#) [MAF94051](#) [MA9-5N](#) [EXD420PL](#) [B1322NR](#) [QWFTB120](#) [MAF94271](#) [MAF94300](#) [GPSMB301](#) [FG4403](#) [AO-AGSM-OM54](#) [5200232](#) [MIKROE-2349](#) [WCM.01.0111](#) [MIKROE-2393](#) [MIKROE-2352](#) [MIKROE-2350](#)