

THIS DRAWING IS UNPUBLISHED.

RELEASED FOR PUBLICATION 20

© COPYRIGHT 20

ALL RIGHTS RESERVED.



REVISIONS

P	LTR	DESCRIPTION	DATE	DWN	APVD
	F	REVISED PER ECO-17-014200	26SEP2017	JPS	JLM
	G	ADDED 2--4; 2--5 ECO-18-001995	30JAN2018	CR	JLM
	H	REVISED PER ECO-18-003884	12MAR2018	AP	JLM
	H2	REVISED PER ECO-19-013922	05SEP2019	SJ	JH

NOTES: UNLESS OTHERWISE SPECIFIED.

- 1 MINI COAX CABLE DIAMETER 1.13 mm TERMINATED WITH U.FL CONNECTOR OR MHF4L SEE TABLE.
- 2. PRODUCT AND PROCESSING MEETS REQUIREMENTS OF TE CONNECTIVITY ENVIROMENTAL STANDARD TEC-138-702.
- 3 4 DIGIT DATE CODE.
- 4. FOR DESIGNS UTILIZING 1513472-1 OR 1513472-5 PLEASE SEE TYCO ELECTRONICS DSI513472-1 OR DSI513472-5 RESPECTIVELY.
- 5 FOAM LOCATED INTERNAL ABOVE ANTENNA ELEMENT.

5	-	830±5.0	BLACK	UAM W U.FL+FOAM	2-1513472-6
-	-	500±5.0	GRAY	UAM W MHF4L	2-1513472-5
-	-	500±5.0	BLACK	UAM W MHF4L	2-1513472-4
-	-	600±5.0	BLACK	UAM W MHF4L	2-1513472-3
-	-	210±5.0	BLACK	UAM W MHF4L	2-1513472-0
-	-	85±5.0	GRAY	UAM W MHF4L	1-1513472-9
-	-	210±5.0	BLACK	UAM W U.FL	1-1513472-8
5	-	360±5.0	BLACK	UAM W U.FL+FOAM	1-1513472-7
5	-	250±5.0	BLACK	UAM W U.FL+FOAM	1-1513472-6
-	-	270±5.0	BLACK	UAM W MHF4L	1-1513472-5
-	-	130±5.0	GRAY	UAM W MHF4L	1-1513472-4
-	-	360±5.0	BLACK	UAM W MHF4L	1-1513472-3
-	-	80±5.0	BLACK	UAM W U.FL	1-1513472-2
-	-	345±5.0	BLACK	UAM W U.FL W PROT-TUBE	1-1513472-0
-	-	235±5.0	WHITE	UAM W U.FL	1513472-9
-	-	250±5.0	BLACK	UAM W U.FL	1513472-8
-	X	590±10.0	BLACK	UAM W U.FL+HS SHEET3	1513472-7
-	-	265±5.0	BLACK	UAM W U.FL	1513472-6
-	-	360±5.0	BLACK	UAM W U.FL	1513472-5
-	-	595±5.0	BLACK	UAM W U.FL	1513472-1
FOAM	HEAT SHRINK	CABLE LENGTH "A"	CABLE COLOR	DESCRIPTION CONNECTOR	PART NUMBER

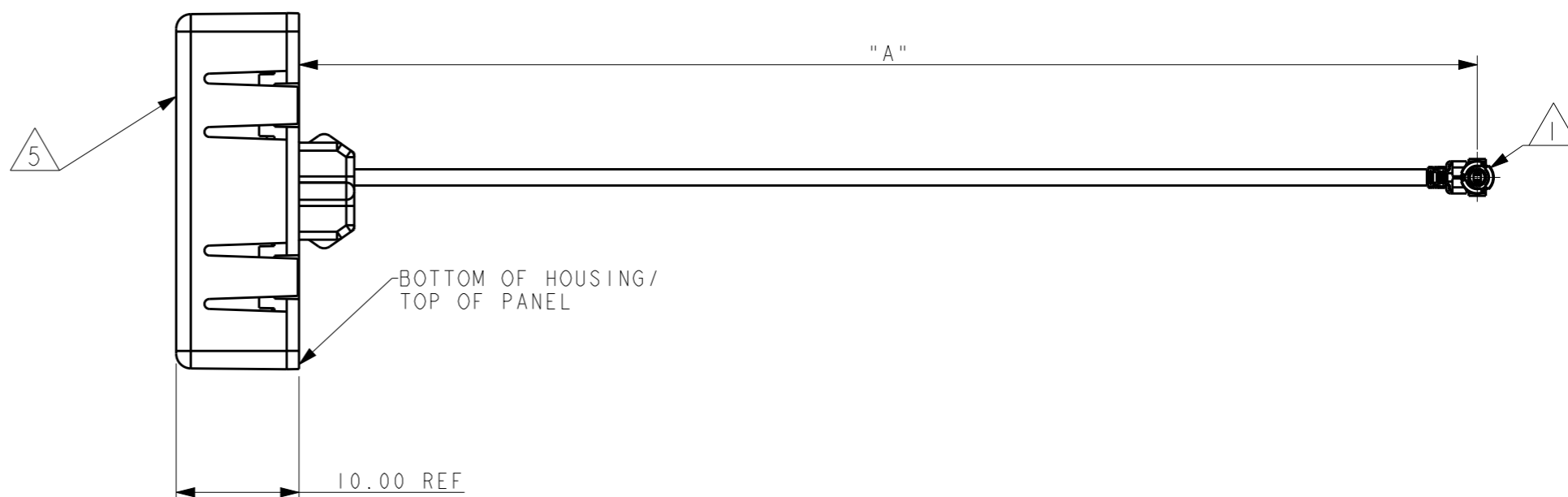
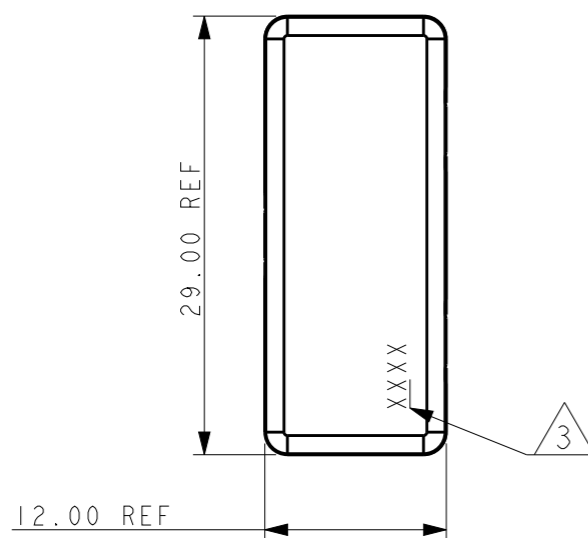
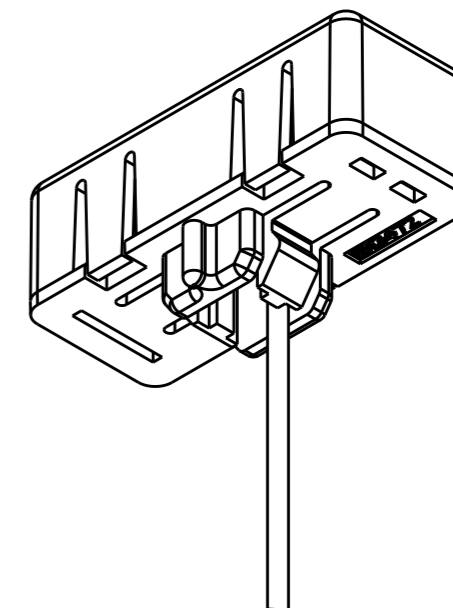
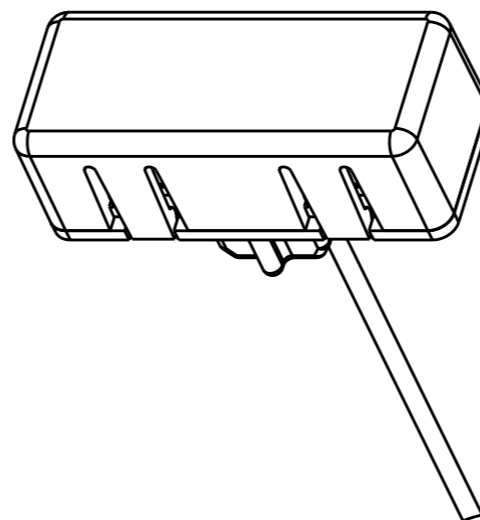
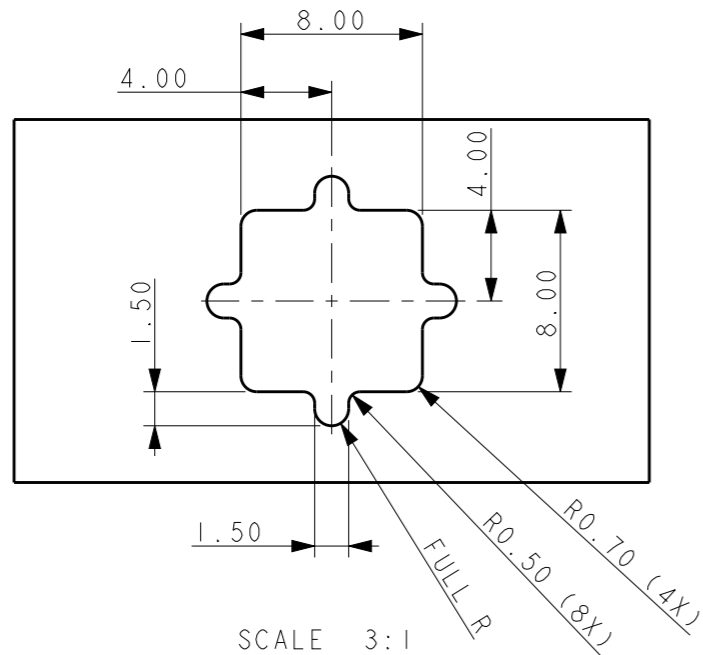
THIS DRAWING IS A CONTROLLED DOCUMENT.		DWN APV	25FEB2009	 TE Connectivity	
DIMENSIONS: mm		CHK	-		
		TOLERANCES UNLESS OTHERWISE SPECIFIED:		NAME UNIVERSAL ANTENNA MODULE (UAM) WLAN	
		0 PLC	±-	PRODUCT SPEC	-
MATERIAL		1 PLC	±-	APPLICATION SPEC	-
FINISH		2 PLC	±-	WEIGHT	-
		3 PLC	±-	SIZE CAGE CODE DRAWING NO RESTRICTED TO	
		4 PLC	±-	A300779 C-1513472	
		ANGLES	±-	SCALE 1:1 SHEET 1 OF 3 REV H2	
				CUSTOMER DRAWING	

REVISIONS

P	LTR	DESCRIPTION	DATE	DWN	APVD
-	-	SEE SHEET 1	-	-	-

### PANEL CUTOUT DIMENSIONS

(Tolerances .XX ±0.10)  
0.8mm MAX THICKNESS



THIS DRAWING IS A CONTROLLED DOCUMENT.

DWN APV 25FEB2009

CHK -

APVD -

PRODUCT SPEC -

APPLICATION SPEC -

WEIGHT -

CUSTOMER DRAWING



TE Connectivity

NAME  
UNIVERSAL ANTENNA MODULE (UAM)  
WLAN

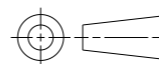
SIZE CAGE CODE DRAWING NO RESTRICTED TO

A300779 C-1513472

SCALE 1:1 SHEET 2 OF 3 REV H2

DIMENSIONS:

mm



TOLERANCES UNLESS OTHERWISE SPECIFIED:

- 0 PLC ±-
- 1 PLC ±-
- 2 PLC ±-
- 3 PLC ±-
- 4 PLC ±-
- ANGLES ±-

MATERIAL

-

FINISH

-

THIS DRAWING IS UNPUBLISHED.

RELEASED FOR PUBLICATION

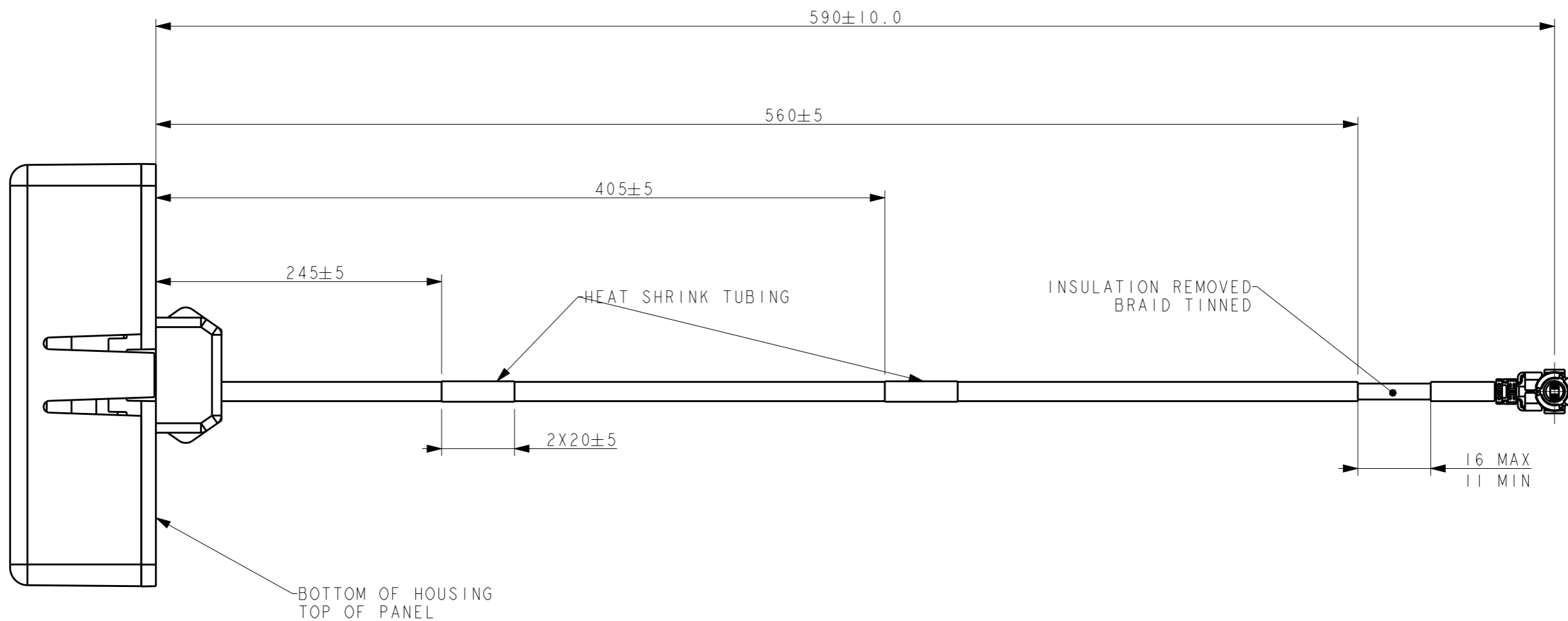
20

© COPYRIGHT 20

ALL RIGHTS RESERVED.

REVISIONS

P	LTR	DESCRIPTION	DATE	DWN	APVD
-	-	SEE SHEET 1	-	-	-



1513472-7 ASSEMBLY ONLY

THIS DRAWING IS A CONTROLLED DOCUMENT.

DWN APV 25FEB2009

CHK -

APVD -

PRODUCT SPEC -

APPLICATION SPEC -

WEIGHT -

CUSTOMER DRAWING



TE Connectivity

NAME UNIVERSAL ANTENNA MODULE (UAM) WLAN

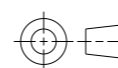
SIZE CAGE CODE DRAWING NO RESTRICTED TO

A300779 C-1513472

SCALE 3:1 SHEET 3 OF 3 REV H2

DIMENSIONS:

mm



TOLERANCES UNLESS OTHERWISE SPECIFIED:

- 0 PLC ±-
- 1 PLC ±-
- 2 PLC ±-
- 3 PLC ±-
- 4 PLC ±-
- ANGLES ±-

MATERIAL

-

FINISH

-

## X-ON Electronics

Largest Supplier of Electrical and Electronic Components

*Click to view similar products for [Antennas](#) category:*

*Click to view products by [TE Connectivity](#) manufacturer:*

Other Similar products are found below :

[GAN30084EU](#) [930-033-R](#) [GW17.07.0250E](#) [1513563-1](#) [EXE902SM](#) [APAMPG-117](#) [MAF94383](#) [W3908B0100](#) [W6102B0100](#) [YE572113-30RSMM](#) [108-00014-50](#) [66089-2406](#) [SPDA17RP918](#) [A09-F8NF-M](#) [A09-F5NF-M](#) [RGFRA1903041A1T](#) [W3593B0100](#) [W3921B0100](#) [SIMNA-868](#) [SIMNA-915](#) [SIMNA-433](#) [W1044](#) [W1049B090](#) [A75-001](#) [WTL2449CQ1-FRSMM](#) [CPL9C](#) [EXB148BN](#) [0600-00060](#) [TRA9020S3PBN-001](#) [Y4503](#) [GD5W-28P-NF](#) [MA9-7N](#) [GD53-25](#) [GD5W-21P-NF](#) [C37](#) [MAF94051](#) [MA9-5N](#) [EXD420PL](#) [B1322NR](#) [QWFTB120](#) [MAF94271](#) [MAF94300](#) [GPSMB301](#) [FG4403](#) [AO-AGSM-OM54](#) [5200232](#) [MIKROE-2349](#) [WCM.01.0111](#) [MIKROE-2393](#) [MIKROE-2352](#)