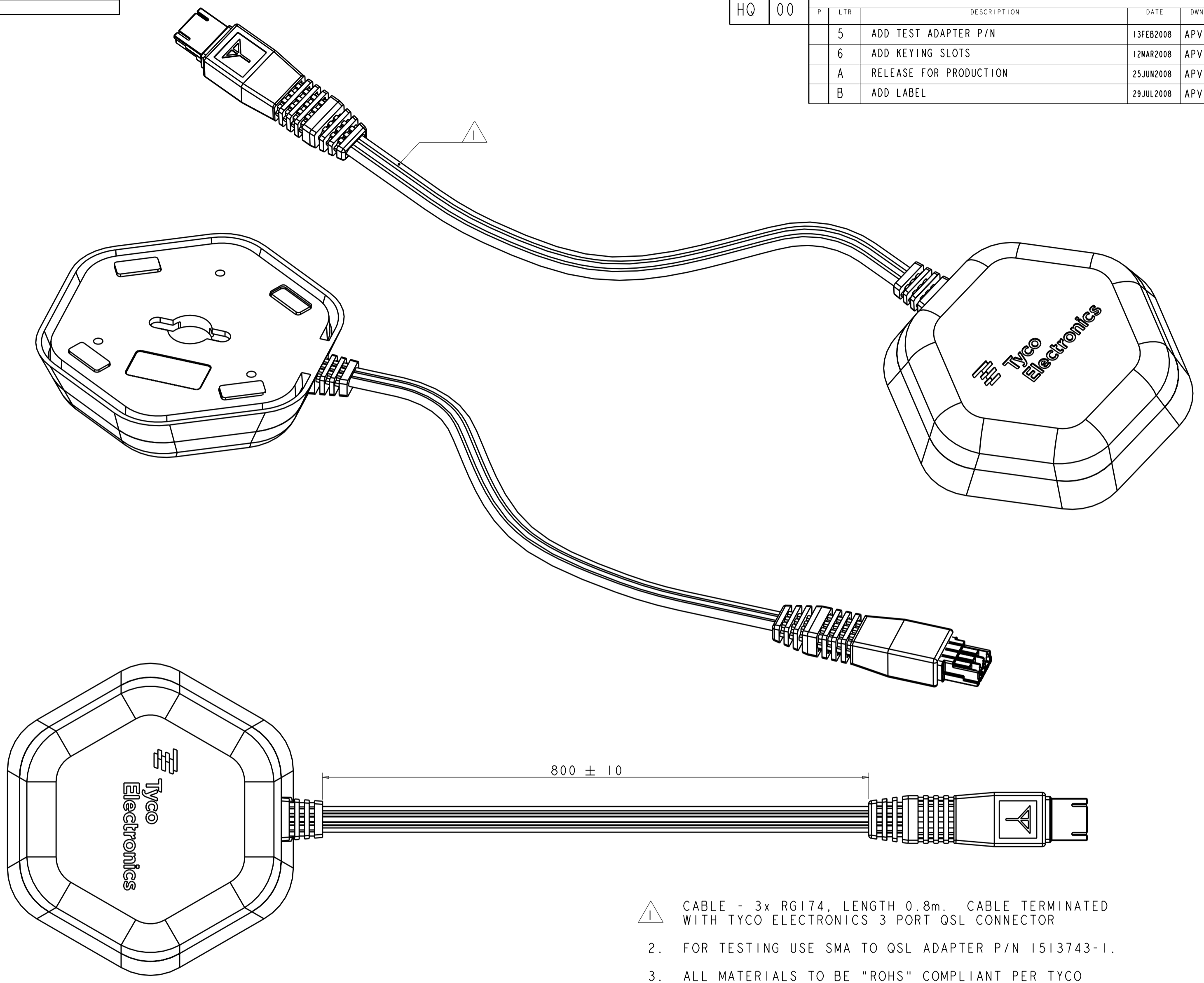
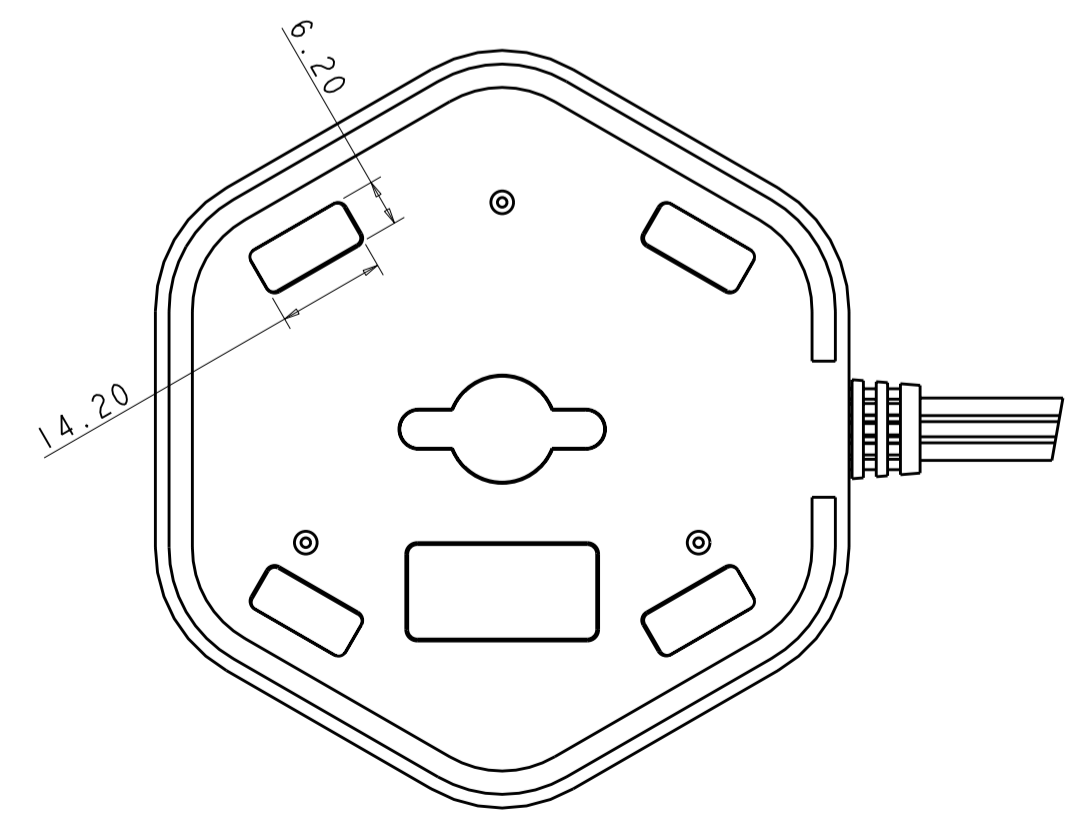
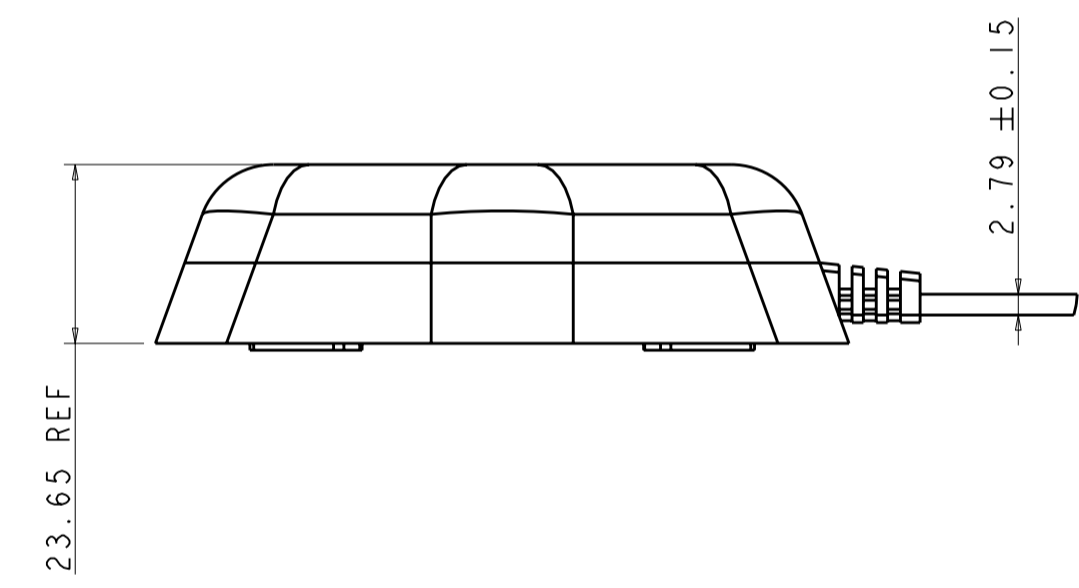
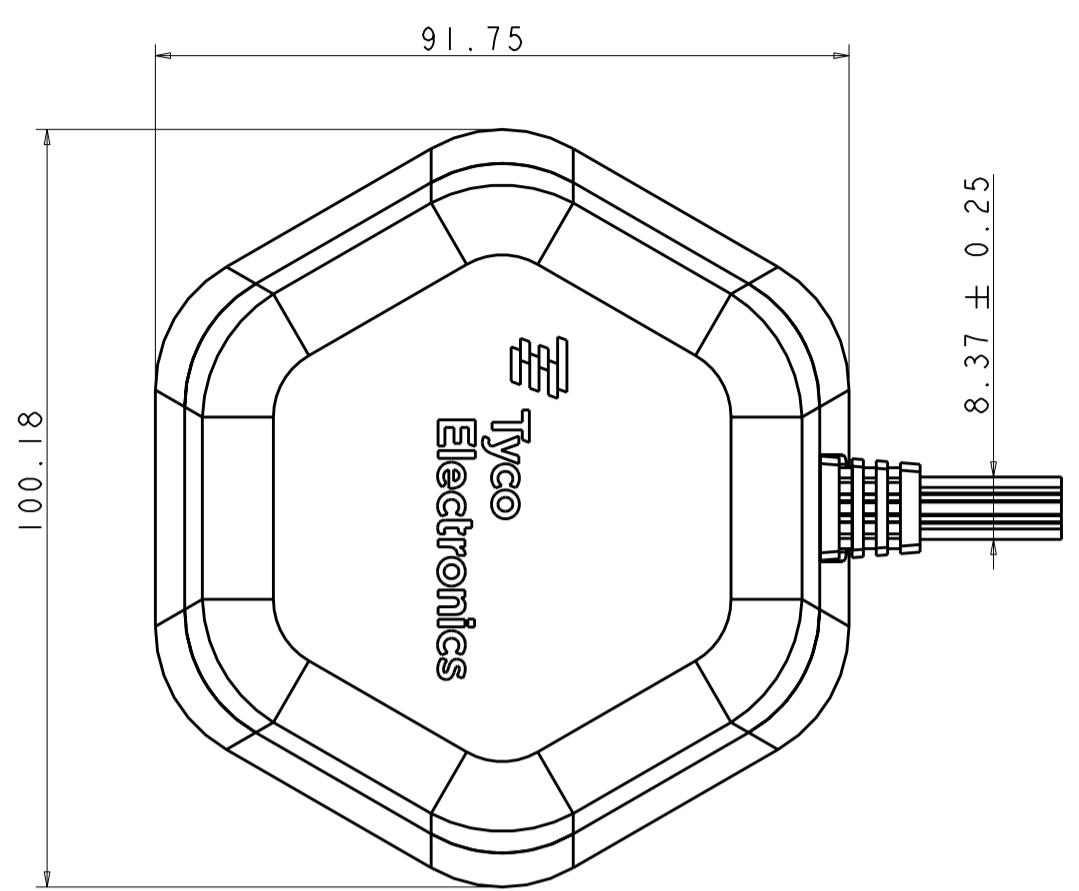


THIS DRAWING IS UNPUBLISHED. RELEASED FOR PUBLICATION 20  
 © COPYRIGHT 20 BY TYCO ELECTRONICS CORPORATION. ALL RIGHTS RESERVED.

LOC		DIST		REVISIONS			
P	LTR	DESCRIPTION	DATE	DWN	APVD		
5		ADD TEST ADAPTER P/N	13FEB2008	APV	APV		
6		ADD KEYING SLOTS	12MAR2008	APV	APV		
A		RELEASE FOR PRODUCTION	25JUN2008	APV	APV		
B		ADD LABEL	29JUL2008	APV	APV		



- ⚠ CABLE - 3x RG174, LENGTH 0.8m. CABLE TERMINATED WITH TYCO ELECTRONICS 3 PORT QSL CONNECTOR
- 2. FOR TESTING USE SMA TO QSL ADAPTER P/N 1513743-1.
- 3. ALL MATERIALS TO BE "ROHS" COMPLIANT PER TYCO ELECTRONICS STANDARD 230-720.

ORDER P/N 1513711-1

THIS DRAWING IS A CONTROLLED DOCUMENT FOR TYCO ELECTRONICS CORPORATION. IT IS SUBJECT TO CHANGE AND THE CONTROLLING ENGINEERING ORGANIZATION SHOULD BE CONTACTED FOR THE LATEST REVISION.		DWN	APV	27 JUL 2007	Tyco Electronics Rochester, NY 14623
DIMENSIONS:		CHK	-	27 JUL 2007	
mm		APVD	-	27 JUL 2007	
TOLERANCES UNLESS OTHERWISE SPECIFIED:		PRODUCT SPEC		NAME	
0 PLC	±	-		WIMAX/MIMO ANTENNA MODULE WITH 3-PORT QSL CONNECTOR	
1 PLC	±	-		SIZE CAGE CODE DRAWING NO	
2 PLC	±	-		A200779 C-1513711	
3 PLC	±	-		RESTRICTED TO	
4 PLC	±	-		-	
ANGLES	±	-		-	
FINISH	±	-		-	
MATERIAL	-	WEIGHT		-	
-		CUSTOMER DRAWING		SCALE	
-		-		SHEET OF REV	

## X-ON Electronics

Largest Supplier of Electrical and Electronic Components

*Click to view similar products for [Antennas](#) category:*

*Click to view products by [TE Connectivity](#) manufacturer:*

Other Similar products are found below :

[GAN30084EU](#) [930-033-R](#) [GW17.07.0250E](#) [1513563-1](#) [EXE902SM](#) [APAMPG-117](#) [MAF94383](#) [W3908B0100](#) [W6102B0100](#) [YE572113-30RSMM](#) [108-00014-50](#) [66089-2406](#) [SPDA17RP918](#) [A09-F8NF-M](#) [A09-F5NF-M](#) [RGFRA1903041A1T](#) [W3593B0100](#) [W3921B0100](#) [SIMNA-868](#) [SIMNA-915](#) [SIMNA-433](#) [W1044](#) [W1049B090](#) [A75-001](#) [WTL2449CQ1-FRSMM](#) [CPL9C](#) [EXB148BN](#) [0600-00060](#) [TRA9020S3PBN-001](#) [GD5W-28P-NF](#) [MA9-7N](#) [GD53-25](#) [GD5W-21P-NF](#) [C37](#) [MAF94051](#) [MA9-5N](#) [EXD420PL](#) [B1322NR](#) [QWFTB120](#) [MAF94271](#) [MAF94300](#) [GPSMB301](#) [FG4403](#) [AO-AGSM-OM54](#) [5200232](#) [MIKROE-2349](#) [WCM.01.0111](#) [MIKROE-2393](#) [MIKROE-2352](#) [MIKROE-2350](#)