

4

3

2

1

THIS DRAWING IS UNPUBLISHED.

RELEASED FOR PUBLICATION

© COPYRIGHT - TE Connectivity Ltd.

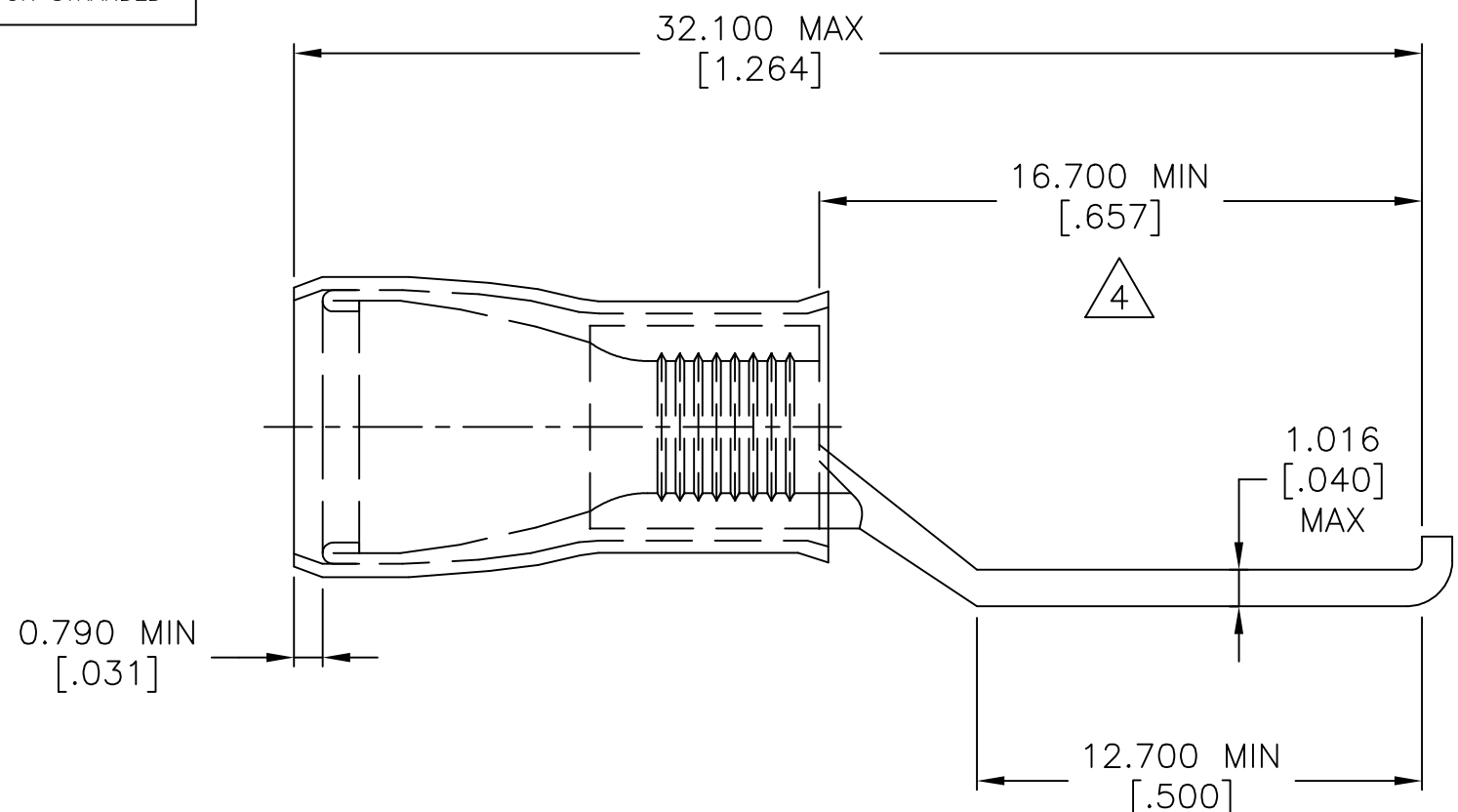
ALL RIGHTS RESERVED.

REVISIONS

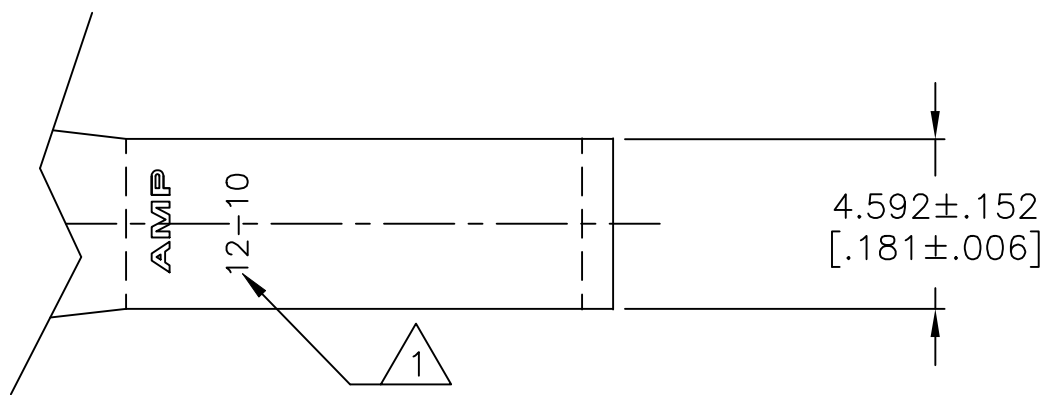
P	LTR	DESCRIPTION	DATE	DWN	APVD
	D2	REV PER ECR 08-013956	04JUN08	JR	TM
	D3	REVISED PER ECO-18-002107	13FEB2018	RS	DR

AMP
WIRE RANGE

12-10 AWG
SOLID OR STRANDED



- 1 STAMP AMP 12-10, LOCATE APPROX AS SHOWN.
- 2 BODY - COPPER PER ASTM B-152 SLEEVE - COPPER PER ASTM B-152 INSULATION - NYLON
- 3 BODY - TIN PLATE PER ASTM B-545 SLEEVE - TIN PLATE PER ASTM B-545 INSULATION - COLOR, BLACK
- 4 APPLIES FROM EDGE OF METAL WIRE BARREL TO FLANGE.
- 5 WIRE INSULATION $\phi 3.800 - \phi 6.400 [\phi .149 - \phi .252]$
- 6 NOTE DELETED
- 7 NOTE DELETED



500	LOOSE PC	151471
QTY	DESCRIPTION	PART NO

AMP INCORPORATED
CUSTOMER SERVICE SYSTEMS

MAX RECOMMENDED OPERATING TEMPERATURE:
105°C [221°F]

THIS DRAWING IS A CONTROLLED DOCUMENT.

DWN	JR RUTH	23FEB2006
CHK	T MICHIELUTTI	23FEB06
APVD	T MICHIELUTTI	23FEB06

STE TE Connectivity Ltd.

FOR ADDITIONAL PRODUCT INFORMATION OR COPIES OF DRAWINGS AND TECHNICAL DOCUMENTS

PRODUCT INFORMATION CENTER
1-800-522-6752

VOLTAGE RATING:
300V MAX

DIMENSIONS:
mm [INCHES]

TOLERANCES UNLESS OTHERWISE SPECIFIED:

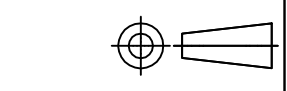
PRODUCT SPEC

NAME
TERMINAL, LIPPED BLADE, P.I.D.G.,
WIRE SIZE: 12-10 AWG

FOR APPLICATION TOOLING INFORMATION

TOOLING ASSISTANCE CENTER
1-800-722-1111

CIRCULAR MIL AREA:
2.62-6.64mm² [5180-13100]
SOLID OR STRANDED



0 PLC	± -
1 PLC	± -
2 PLC	± 0.127 [0.005]
3 PLC	± -
4 PLC	± -
ANGLES	± -
FINISH	± -

APPLICATION SPEC

SIZE CAGE CODE DRAWING NO RESTRICTED TO

FOR ORDER ENTRY

1-800-526-5142

THIS DRAWING IS A CONTROLLED DOCUMENT FOR AMP INCORPORATED. IT IS SUBJECT TO CHANGE AND THE CONTROLLING ENGINEERING ORGANIZATION SHOULD BE CONTACTED FOR THE LATEST REVISION.

MATERIAL - 2

FINISH - 3

114-2157

A3 00779 C=151471

CUSTOMER DRAWING SCALE 5:1 SHEET 1 OF 1 REV D3

X-ON Electronics

Largest Supplier of Electrical and Electronic Components

Click to view similar products for [Terminals](#) category:

Click to view products by [TE Connectivity](#) manufacturer:

Other Similar products are found below :

[00-054007-01074-6](#) [00-054007-70206-1](#) [00-054007-70210-8](#) [00-054007-70217-7](#) [00-054007-70226-9](#) [00-054007-70228-3](#) [00-054007-70248-1](#) [00-054007-70256-6](#) [00-054007-70301-3](#) [00-054007-70316-7](#) [0-0320562-0](#) [00-054007-49560-4](#) [00-054007-70209-2](#) [00-054007-70225-2](#) [00-054007-70227-6](#) [00-054007-70231-3](#) [00-054007-70241-2](#) [00-054007-70242-9](#) [00-054007-70244-3](#) [00-054007-70246-7](#) [00-054007-70263-4](#) [00-054007-70288-7](#) [00-054007-70290-0](#) [00-054007-70300-6](#) [00-054007-70304-4](#) [01-2065-1-0216](#) [01-2900-1-04412](#) [00581P0075](#) [600TS-10](#) [60205-1](#) [604200-1](#) [605601-1](#) [60598-1-CUT-TAPE](#) [61314-6-C](#) [61810-3](#) [61-S](#) [61-SN](#) [626-0194](#) [62-NBM-A](#) [62-SN](#) [62-SP](#) [63-S](#) [640179-1](#) [M55155/059I03](#) [M55155/079C01](#) [M55155/099H02](#) [M55155/109H01](#) [M55155/109H02](#) [M55155/12XH05](#) [M55155/16XH02](#)