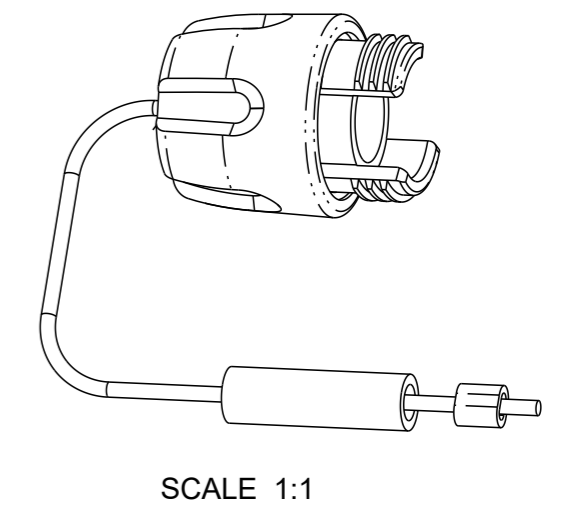
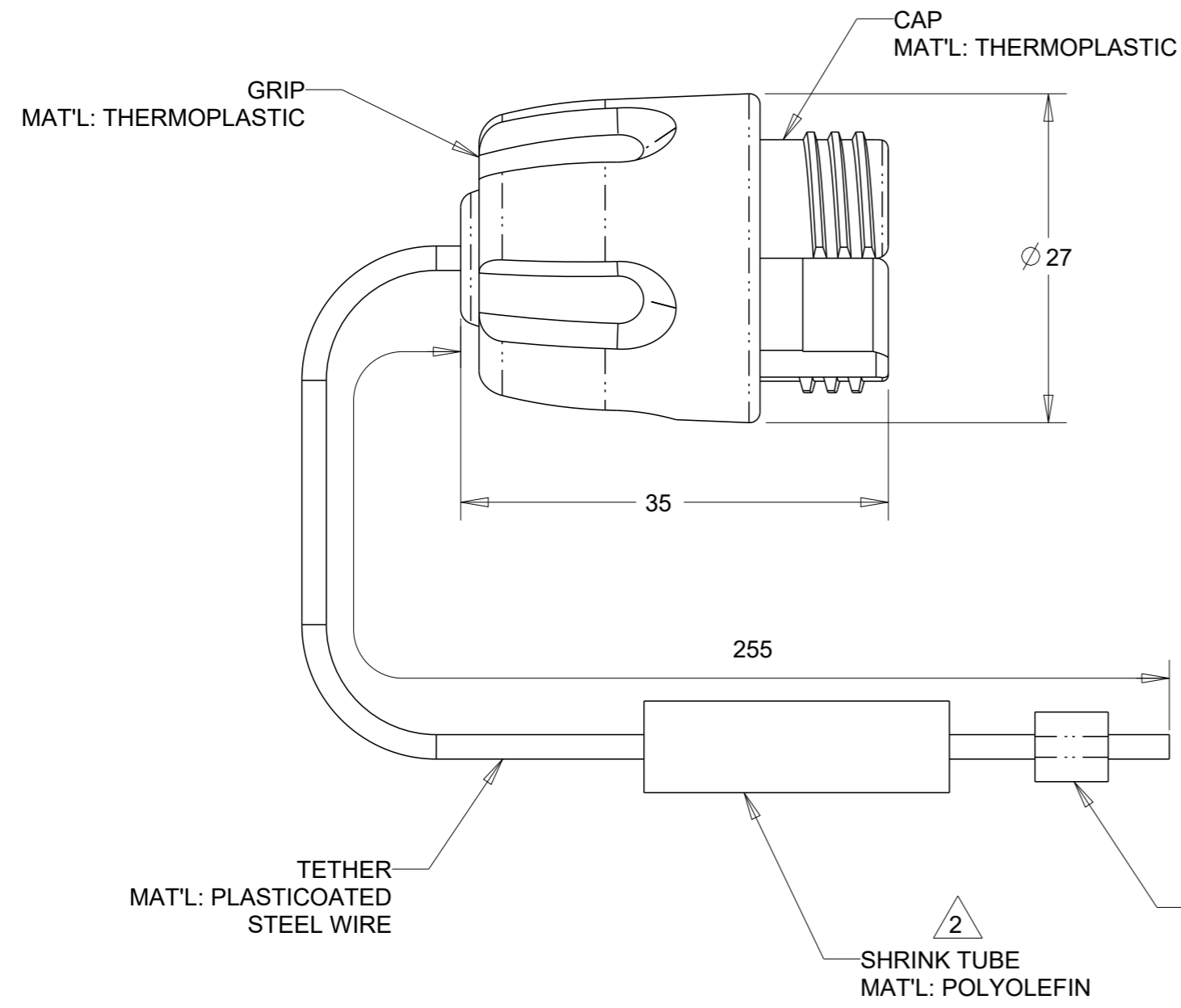


THIS DRAWING IS UNPUBLISHED. RELEASED FOR PUBLICATION 20
 © COPYRIGHT20 BY - ALL RIGHTS RESERVED.

LOC	DIST	REVISIONS			
P	LTR	DESCRIPTION	DATE	DWN	APVD
CE	-	E1	ECR-13-001022	18JAN2013	KG DW
		F	ECR-19-008989	17JUN2019	TS DW



1. ALL DIMENSIONS ARE FOR REFERENCE ONLY.
 2 TO BE COMPLETED BY END USER DURING CONNECTOR ASSEMBLY.

COLOR	DESCRIPTION	PART NUMBER
GREEN	AS SHOWN	1515867-4
BROWN	AS SHOWN	1515867-3
BLACK	WITHOUT SHRINK TUBE AND CRIMP SLEEVE	1515867-2
BLACK	AS SHOWN	1515867-1

THIS DRAWING IS A CONTROLLED DOCUMENT. DIMENSIONING AND TOLERANCING PER ASME Y14.5M-2009		DWN 12DEC2002 K.GLATFELTER	
DIMENSIONS: mm		CHK 16DEC2002 D.WERTMAN	
TOLERANCES UNLESS OTHERWISE SPECIFIED:		APVD 17DEC2002 D.WERTMAN	
0 PLC ±- 1 PLC ±- 2 PLC ±- 3 PLC ±- 4 PLC ±- ANGLES ±-		NAME PROTECTIVE CAP, PLUG, PRO BEAM JR. BULKHEAD PRO BEAM JR.	
MATERIAL -	FINISH -	PRODUCT SPEC -	SIZE A3
		APPLICATION SPEC -	CAGE CODE 00779
		WEIGHT -	DRAWING NO C-1515867
		Customer Drawing	RESTRICTED TO -
		SCALE 2:1	SHEET 1 OF 1
			REV F

X-ON Electronics

Largest Supplier of Electrical and Electronic Components

Click to view similar products for [Fibre Optic Connectors](#) category:

Click to view products by [TE Connectivity](#) manufacturer:

Other Similar products are found below :

[0004700001](#) [6100-R](#) [6313](#) [F709034706](#) [F709722200](#) [F709730000](#) [F718183204](#) [F727403500](#) [F727752800](#) [8119](#) [9440F20-27S-190](#) [944-120-6001](#) [9441F10SL-3S](#) [9444W28-21S](#) [9444W36-10S](#) [9446F10SL-4S](#) [9446W20-16S](#) [953-101-5310-P](#) [954-101-57202B](#) [A0270169](#) [12-9122](#) [12-5702](#) [AX101713](#) [AX102420](#) [AX103923](#) [AX104024](#) [AX104193](#) [AX104230](#) [AX104498](#) [AX104562](#) [AX105203-B25](#) [AX105205-S1](#) [EHSC2M](#) [181-011-126](#) [181-011-S](#) [181-057-126](#) [HRFC-R2\(40\)](#) [NKSOPBUY](#) [20500002116](#) [2064996-1](#) [20800001065](#) [2170](#) [9132](#) [2612](#) [2620](#) [9291](#) [9440F16-10S](#) [9440F20-18S](#) [9442W14S-10P](#) [9446F16-10S-190](#)