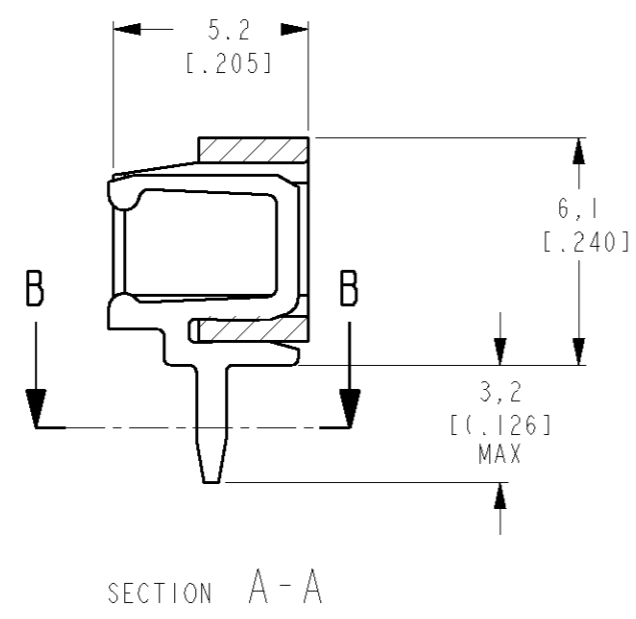
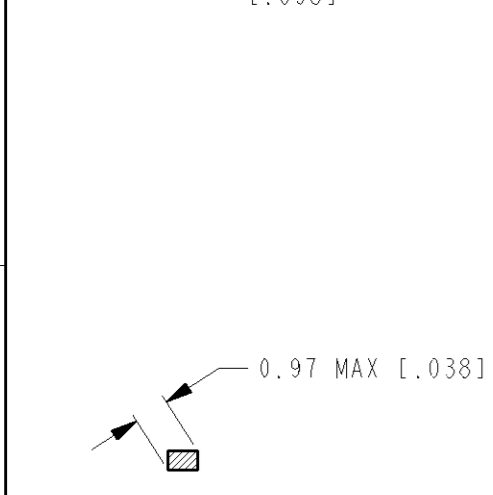
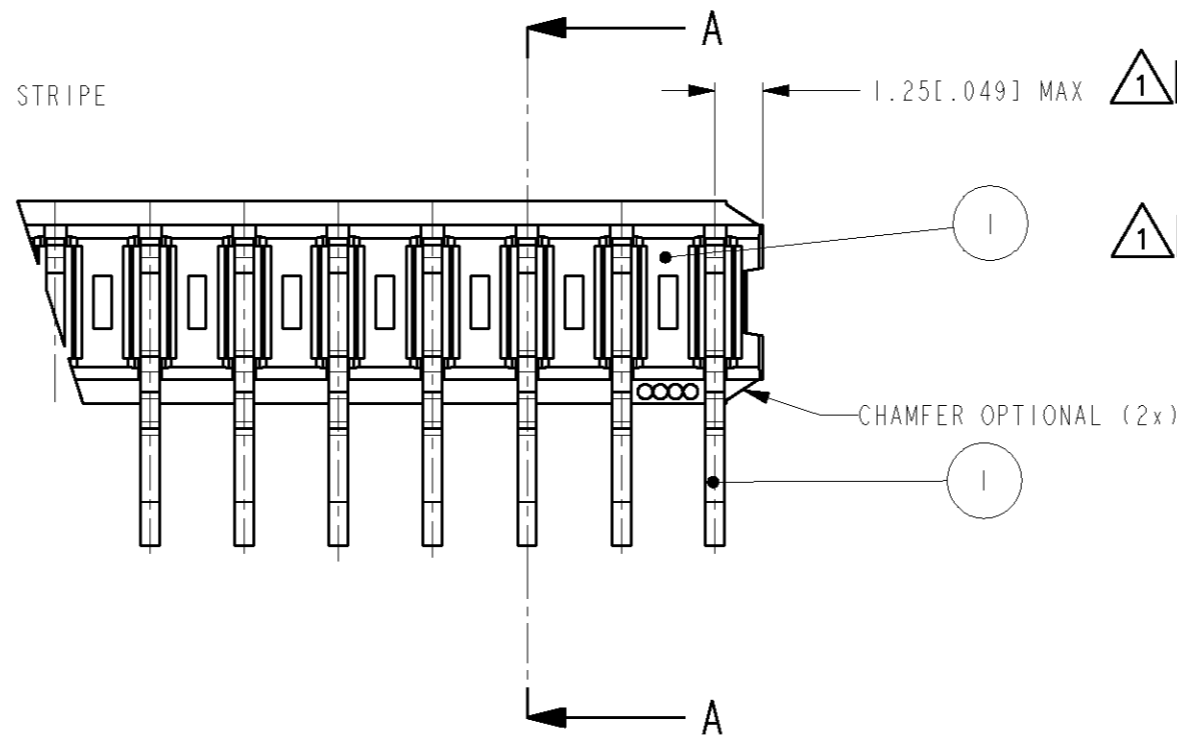
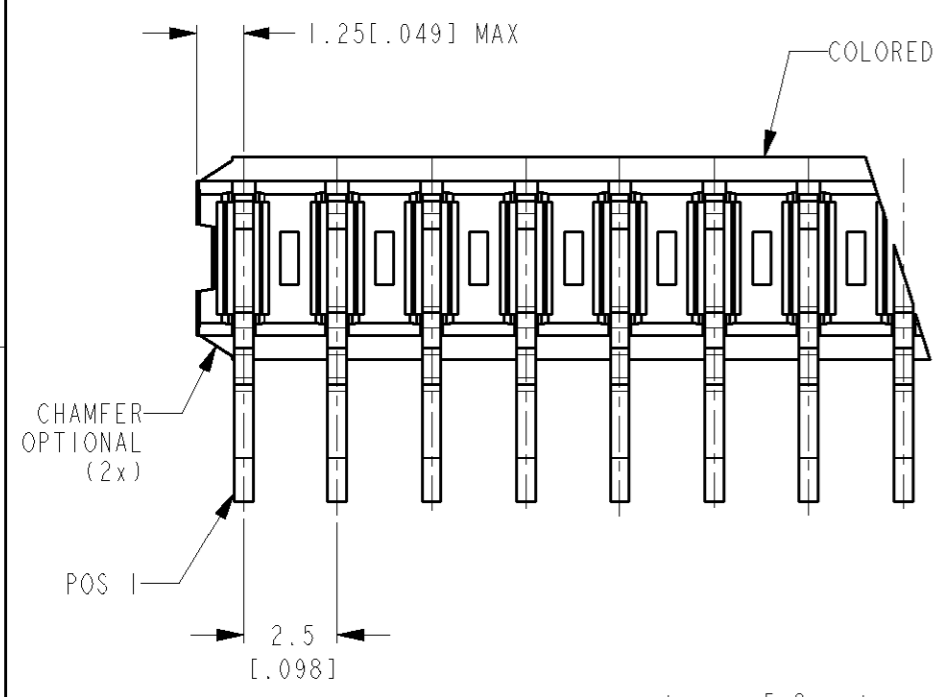
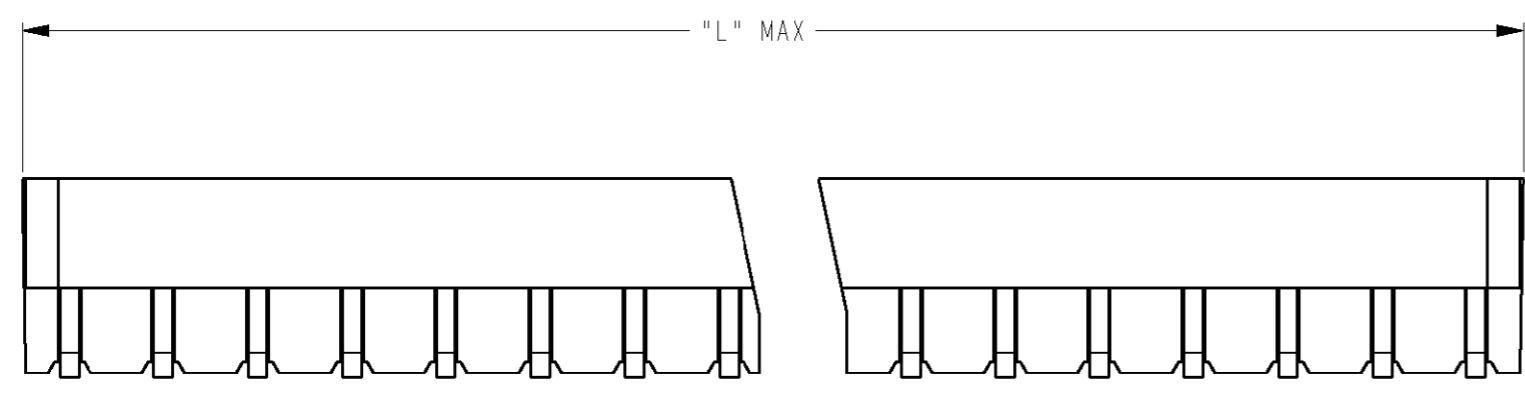


THIS DRAWING IS UNPUBLISHED. RELEASED FOR PUBLICATION  
 © COPYRIGHT - BY TYCO ELECTRONICS CORPORATION. ALL RIGHTS RESERVED.

LOC	DIST	REVISIONS			
P	LTR	DESCRIPTION	DATE	DWN	APVD
H	-	A	ECN EH10 0344 05	31marc2005	MG MG
		A1	REVISED PER ECO-09-026495	28NOV09	KK AEG



**1** OBSOLETE

**1** OBSOLETE

**1** OBSOLETE

**1** OBSOLETE

	NUMBER OF POSITIONS	L MAX.	
		M.M.	INCHES
5161800 -3	3	7,5	.296
5161800 -4	4	10,0	.394
5161800 -5	5	12,5	.493
5161800 -6	6	15,0	.591
5161800 -7	7	17,5	.690
5161800 -8	8	20,0	.788
5161800 -9	9	22,5	.886
1- 5161800 -0	10	25,0	.985
1- 5161800 -1	11	27,5	1.083
1- 5161800 -2	12	30,0	1.182
1- 5161800 -3	13	32,5	1.280
1- 5161800 -4	14	35,0	1.378
1- 5161800 -5	15	37,5	1.477
1- 5161800 -6	16	40,0	1.575
1- 5161800 -7	17	42,5	1.674
1- 5161800 -8	18	45,0	1.772
1- 5161800 -9	19	47,5	1.871
2- 5161800 -0	20	50,0	1.969

**1** OBSOLETE PARTS: OBSOLETE CIS STREAMLINING PER D.RENAUD/D.SINISI

ITEM NO.	DESCRIPTION	MATERIAL	FINISH	QUANTITY
2	CONTACT	PHOSPHORBRONZE	TIN OVER NICKEL	SEE TABLE
1	HOUSING	PBT, 20% GF	GREEN	1

THIS DRAWING IS A CONTROLLED DOCUMENT FOR TYCO ELECTRONICS CORPORATION  
 IT IS SUBJECT TO CHANGE AND THE CONTROLLING ENGINEERING ORGANIZATION  
 SHOULD BE CONTACTED FOR THE LATEST REVISION.

DIMENSIONS:	TOLERANCES UNLESS OTHERWISE SPECIFIED:
mm	
0 PLC	±
1 PLC	±
2 PLC	±
3 PLC	±
4 PLC	±
ANGLES	±
MATERIAL	FINISH

DWN 31 mar 05  
 M.Gosselink  
 CHR 31 mar 05  
 M.Gosselink  
 APVD -

**tyco** TYCO ELECTRONICS NEDERLAND B.V.  
**Electronics** 's-HERTOGENBOSCH, THE NETHERLANDS

NAME  
 3-20 POS FEMALE BOARD TO BOARD  
 CONNECTOR ASSEMBLY FOR MINI-MATCH  
 INTERCONNECTION SYSTEM, PITCH 2.5 MM

PRODUCT SPEC 108-19027  
 APPLICATION SPEC -

WEIGHT -

SIZE A3 CAGE CODE 00779 DRAWING NO C=5161800 RESTRICTED TO -

CUSTOMER DRAWING SCALE - SHEET OF REV **A1**

## X-ON Electronics

Largest Supplier of Electrical and Electronic Components

*Click to view similar products for [Headers & Wire Housings](#) category:*

*Click to view products by [TE Connectivity](#) manufacturer:*

Other Similar products are found below :

[892-18-020-10-001101](#) [58102-G61-06LF](#) [582553-1](#) [0009485154](#) [009176003701906](#) [0050291907](#) [LY20-4P-DT1-P1E-BR](#) [02.125.8002.8](#)  
[609-3404](#) [61062-3](#) [61082-181009](#) [622-3653LF](#) [63453-116](#) [636-1030](#) [636-1427](#) [636-3427](#) [636-4007](#) [641938-9](#) [641991-4](#) [644827-2](#) [65817-010LF](#) [65817-015LF](#) [65863-015LF](#) [66207-023LF](#) [67095-007LF](#) [67601157](#) [68645-018](#) [68648-049](#) [70.362.1628.0](#) [70-4210](#) [70-4226B](#) [70-4853B](#) [707-5020](#) [707-5028](#) [71.350.2428.0](#) [71918-208LF](#) [71961-016LF](#) [733-134](#) [733-162](#) [754199-000](#) [760-3052](#) [787-8014-00](#) [79531-3000](#)  
[FCN-360C032-B](#) [FCN-367T-T012/H](#) [FCN-723D010/2](#) [80.063.4001.1](#) [800-90-001-10-001000](#) [800-90-010-10-002000](#) [801-43-002-10-013000](#)