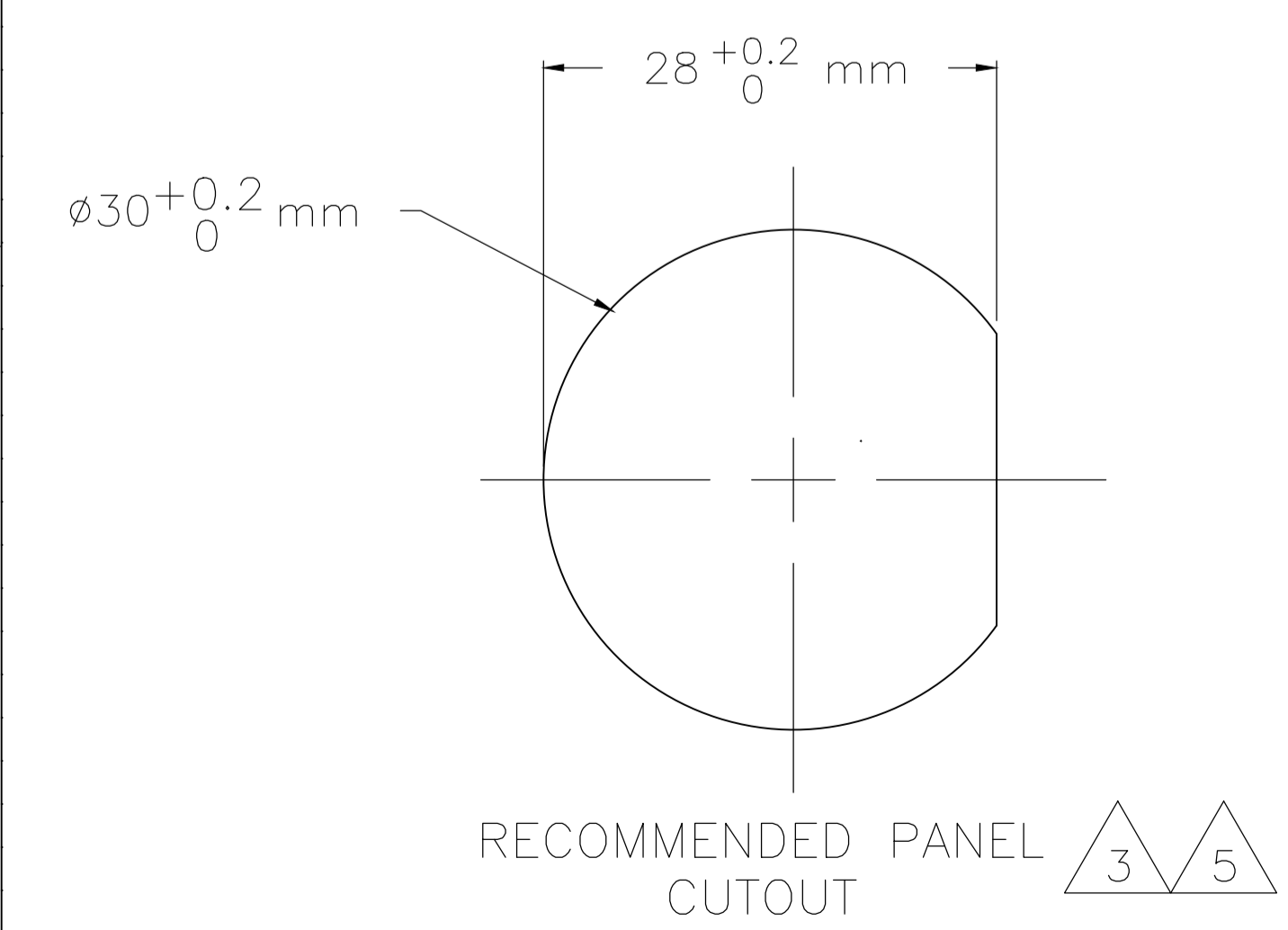
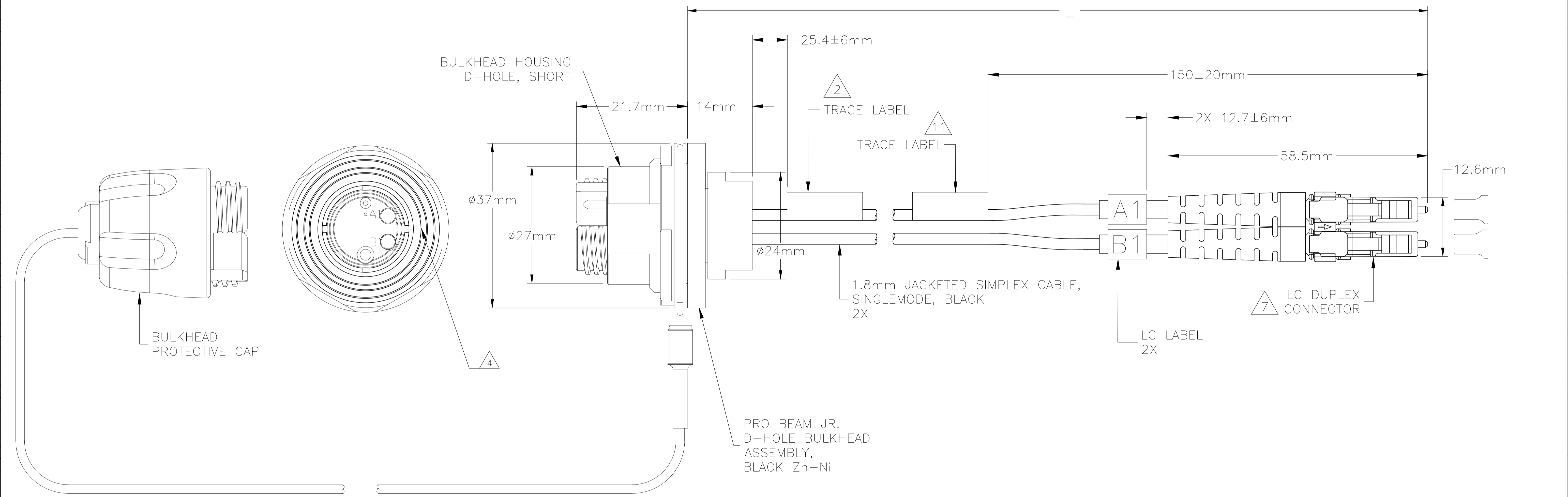


REVISIONS				
P	LTR	DESCRIPTION	DATE	OWN / APVD
H		ECR-18-001667	06FEB18	KG / DW

1. MAXIMUM CONNECTOR INSERTION LOSS: 1.50 dB PRO BEAM JR. END (1310nm)
0.50 dB LC DUPLEX END (1310nm)
2. MINIMUM CONNECTOR RETURN LOSS: 34 dB PRO BEAM JR. END (1310nm)
50 dB LC DUPLEX END (1310nm)
- 2 SEE TRACE LABEL DETAIL.
- 3 RECEPTACLE IS DESIGNED FOR REAR MOUNT.
- 4 FLAT ON BULKHEAD HOUSING WILL BE LOCATED ON A1, B1 SIDE OF INSERT.
- 5 PANEL SHOULD BE BETWEEN 1mm AND 6.5mm THICKNESS.

6. BULKHEAD ASSEMBLY DIFFERENTIAL PRESSURE HOLD: 1000mm Hg MINIMUM.
- 7 LC SM TIGHT JACKET CONNECTOR P/N: 2123524-1.
8. D-HOLE BULKHEAD HOUSING AND CAP IP-68 RATED.
9. HEX NUT REQUIRES 34mm WRENCH AND TORQUE TO 40NM.
10. CABLE ASSEMBLY OPERATIONAL TEMPERATURE RATING IS -40°C TO 85°C.
- 11 TRACE LABEL WITHOUT ANY INFORMATION.



PRO BEAM JR. POSITION	LC LABEL
A1	A1
B1	B1

FIBER PATH CHART

XXXXXXXXXXXXXXXXXX
1516362-X

} TE CONNECTIVITY TRACE NO.
} TE CONNECTIVITY P/N

TRACE LABEL DETAIL 2

3048±150 [120±6]	1516362-3
444.5±51 [17.5±2]	1516362-2
914.4±51 [36±2]	1516362-1
L	PART NUMBER

THIS DRAWING IS A CONTROLLED DOCUMENT.

DIMENSIONS: mm [INCHES]	TOLERANCES UNLESS OTHERWISE SPECIFIED:	DWG: K. GLATFELTER 130CT2011	CHK: D. WERTMAN 130CT2011	APVD: D. WERTMAN 130CT2011	NAME: CABLE ASSEMBLY, FO, 2 FIB, SM PRO BEAM JR. D-HOLE BULKHEAD TO LC DUPLEX
0. PLC ± -	1. PLC ± -	2. PLC ± -	3. PLC ± -	4. PLC ± -	APPLICATION SPEC
ANGLES ± -					SIZE: A1
MATERIAL	FINISH	WEIGHT: 0.000000	SCALE: NTS	DRAWING NO: 00779	DWG NO: 1516362
				CUSTOMER DRAWING	SHEET 1 OF 1 REV H

STE TE Connectivity

X-ON Electronics

Largest Supplier of Electrical and Electronic Components

Click to view similar products for [TE Connectivity](#) manufacturer:

Other Similar products are found below :

[D38999/24FJ4AN](#) [570416-000](#) [CLTEQ-M81CE-SSRELAY-4-20V](#) [4-1195131-0](#) [650069-000](#) [SMD100-2](#) [358838-000](#) [CB-1022B-78](#)
[RM707012](#) [RP410012](#) [MMS42](#) [1-640426-8](#) [2EDL4CM](#) [DTS20W19-11PD-3028-LC](#) [RM202615](#) [NC6-P104-06](#) [MSPS103B](#) [DTS26F21-41HE-LC](#) [DTS26F21-41AE](#) [DTS26F21-41PE-LC](#) [DTS26F21-11SE-3028-LC](#) [30DCB6](#) [1932144-1](#) [293545-4](#) [LVR125S](#) [MS27466T25F4PB](#)
[CKB-38-78010](#) [TR04AI-TINELLOCKRING](#) [1206SFF150F/63-2](#) [D38999/20JB35HA](#) [TE1500A2R2J](#) [D38999/20WC8BB](#) [DTS24F19-11SC-3028-LC](#) [D38999/24WG11HA](#) [D38999/24WG11HN](#) [MS27467T21F11H](#) [DJT16E21-11HA](#) [MS27467T21F35J](#) [MS27467T21F11J](#)
[MS27467T21F16H-LC](#) [MS27467T21F35H](#) [MS27467T21F41H-LC](#) [1206SFH150F/24-2](#) [RP330024](#) [DJT16E21-11PA-LC](#) [DJT16E21-11HA-LC](#) [DJT16E21-11AA](#) [MS27467T21B11JA](#) [DJT16E21-11JA](#) [MS27467T21B11JA-LC](#)