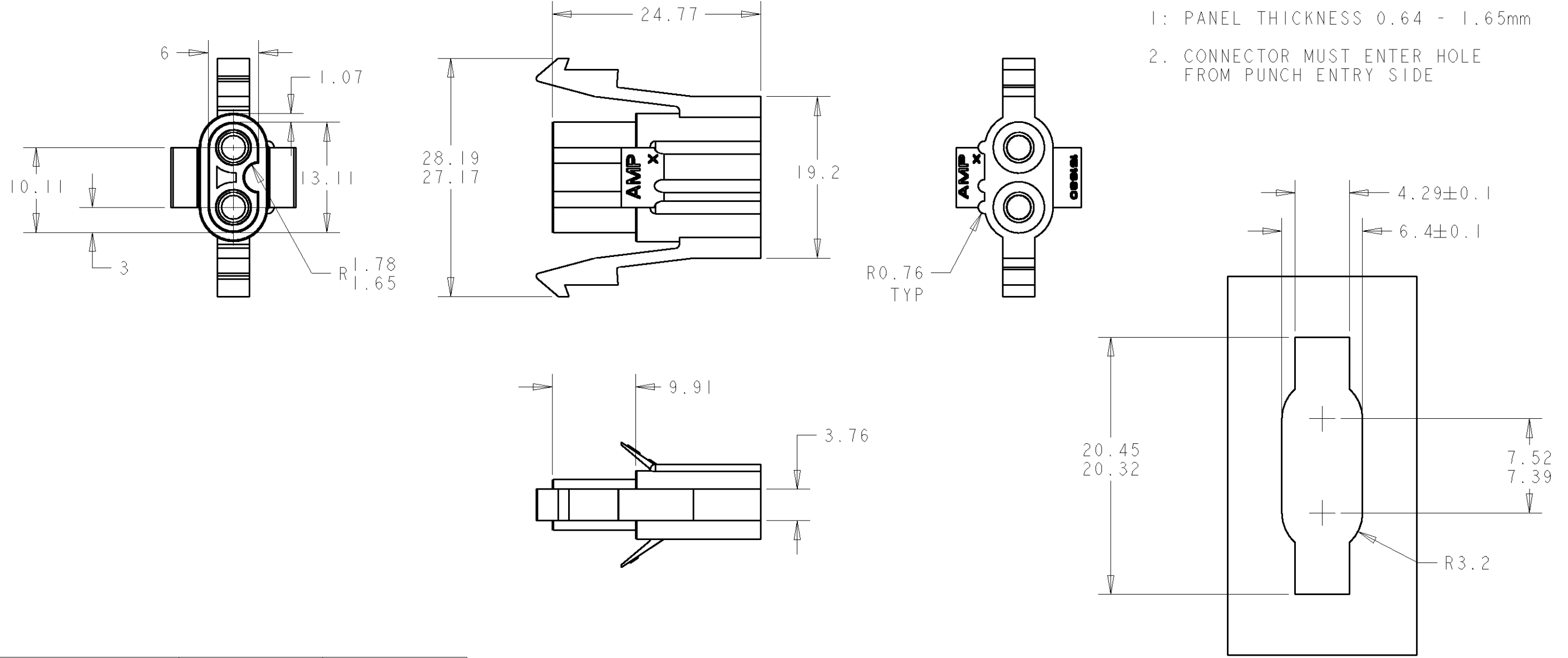


THIS DRAWING IS UNPUBLISHED. RELEASED FOR PUBLICATION 20  
 © COPYRIGHT 20 BY TYCO ELECTRONICS CORPORATION. ALL RIGHTS RESERVED.

LOC	DIST	REVISIONS					
		P	LTR	DESCRIPTION	DATE	DWN	APVD
E	B	P		ECR-06-000059	03JAN2006	MJG	JA
		P1		ECR-10-000004	22MAR10	RK	SRE

NOTES:

- 1: PANEL THICKNESS 0.64 - 1.65mm
- 2. CONNECTOR MUST ENTER HOLE FROM PUNCH ENTRY SIDE



NYLON 66 (V0)	NATURAL	2-151680-0	
NYLON 66	BLACK	<del>151680-9</del>	OBSOLETE
NYLON 66	GREY	151680-8	
NYLON 66	VIOLET	151680-7	
NYLON 66	GREEN	<del>151680-5</del>	OBSOLETE
NYLON 66	YELLOW	151680-4	
NYLON 66	ORANGE	151680-3	
NYLON 66	BROWN	151680-1	
NYLON 66	NATURAL	151680-0	
MATERIAL	COLOUR	PART NO	

THIS DRAWING IS A CONTROLLED DOCUMENT FOR TYCO ELECTRONICS CORPORATION IT IS SUBJECT TO CHANGE AND THE CONTROLLING ENGINEERING ORGANIZATION SHOULD BE CONTACTED FOR THE LATEST REVISION.

DWN	M. GREENER	03/01/06	Tyco Electronics Bideford, Devon EX39 4HA
CHK	J. AMBROSE	03/01/06	
APVD	F. WHEELER-KING	03/01/06	
NAME	2 WAY 'MATE-N-LOK' SOCKET HOUSING		
DIMENSIONS: mm 			PRODUCT SPEC
TOLERANCES UNLESS OTHERWISE SPECIFIED: 0 PLC ±0.5 1 PLC ±0.5 2 PLC ±0.5 3 PLC ±0.5 4 PLC ±0.5 ANGLES ±1 FINISH -			APPLICATION SPEC
MATERIAL SEE TABLE			WEIGHT -
CUSTOMER DRAWING			RESTRICTED TO -
SIZE A3		CAGE CODE 00779	DRAWING NO C-151680
SCALE 2:1		SHEET 1	OF 1 REV P1

## X-ON Electronics

Largest Supplier of Electrical and Electronic Components

*Click to view similar products for [Pin & Socket Connectors](#) category:*

*Click to view products by [TE Connectivity](#) manufacturer:*

Other Similar products are found below :

[6450822-1](#) [770392-1](#) [794042-1](#) [796885-1](#) [8-794535-1](#) [PLR3455ACS-222](#) [R929991004](#) [R929993003](#) [1403611-1](#) [1-480349-5](#) [152302-5](#)  
[153211-2](#) [1586092-1](#) [1586129-1](#) [1586681-4](#) [1586700-1](#) [1586368-1](#) [1586380-1](#) [1586616-1](#) [1586680-5](#) [16-06-0038](#) [164164-5](#) [1-6609930-1](#)  
[172296-1](#) [19-09-2035](#) [200503-1](#) [200788-2](#) [2029090-4](#) [2029095-4](#) [925061-7](#) [293734-4](#) [293737-2](#) [1-765362-4](#) [1871534-1](#) [200833-4](#)  
[2008625-2](#) [2029027-2](#) [2029096-4](#) [R929991000](#) [R929991002](#) [R929993000](#) [319-10-101-00-005000](#) [319-10-102-00-001000](#) [319-10-104-00-001000](#) [319-10-105-00-001000](#) [319-10-108-00-001000](#) [319-10-112-00-006000](#) [39-01-8019](#) [319-10-101-00-001000](#) [319-10-102-00-005000](#)