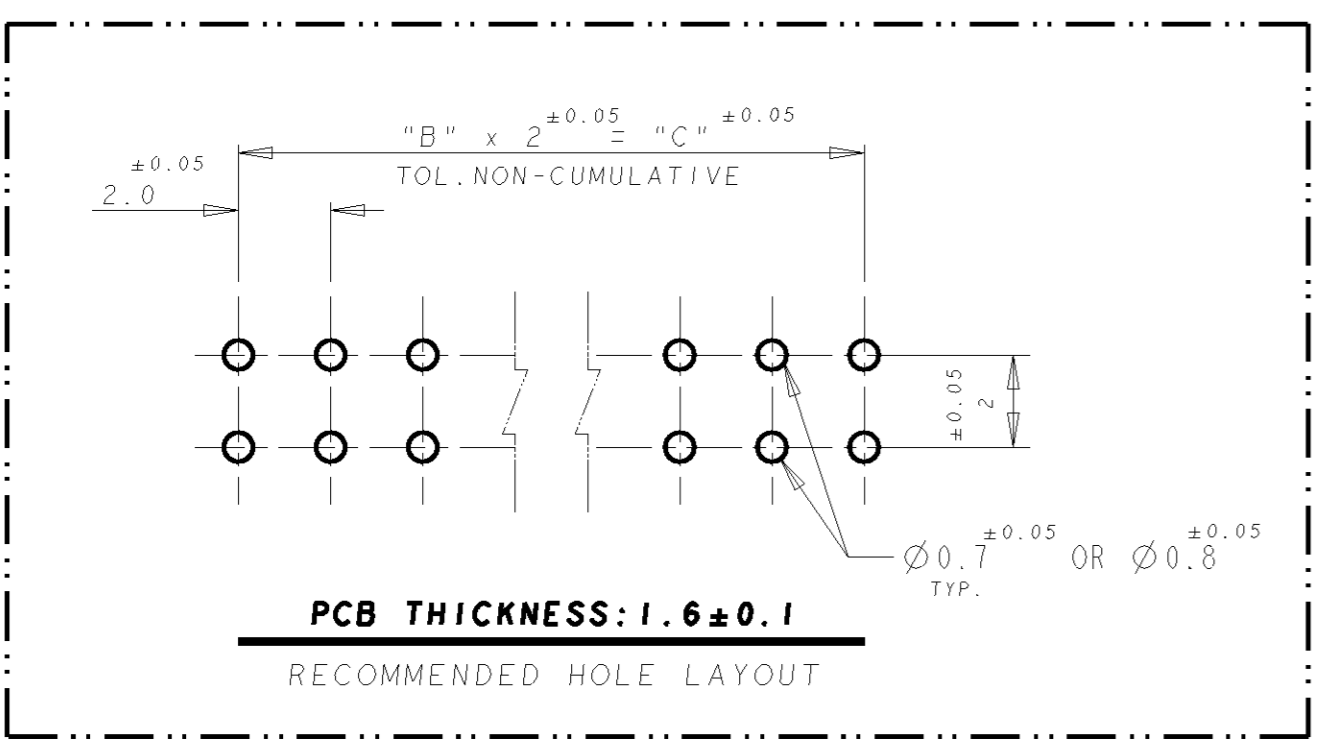
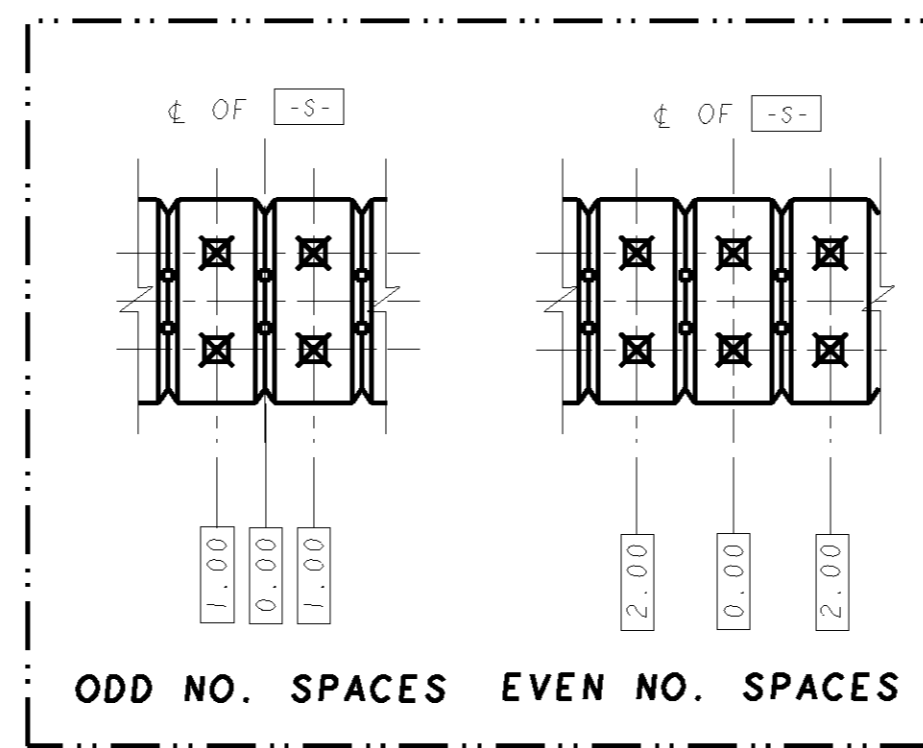
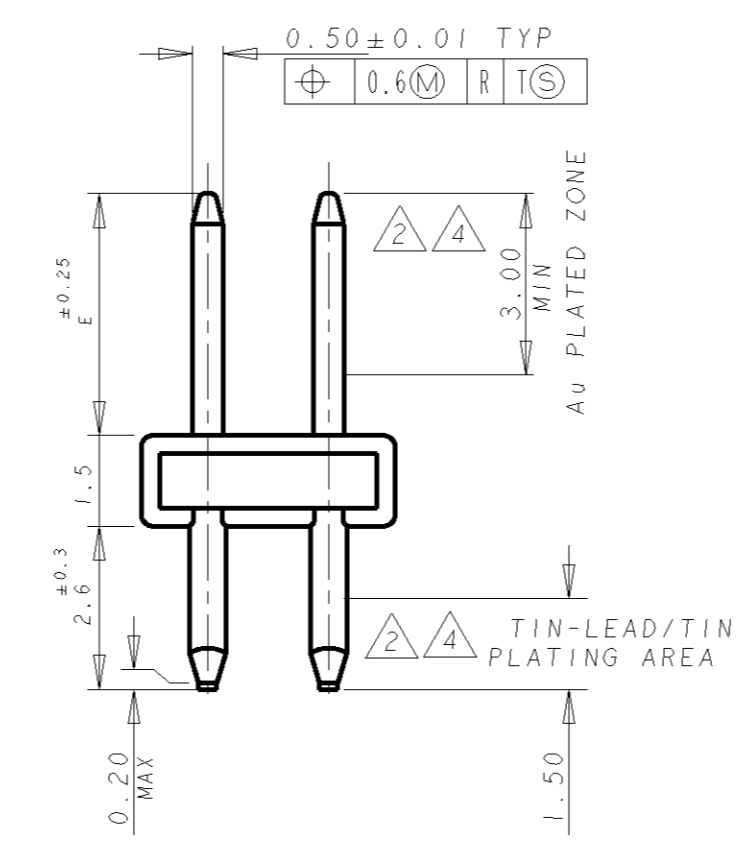
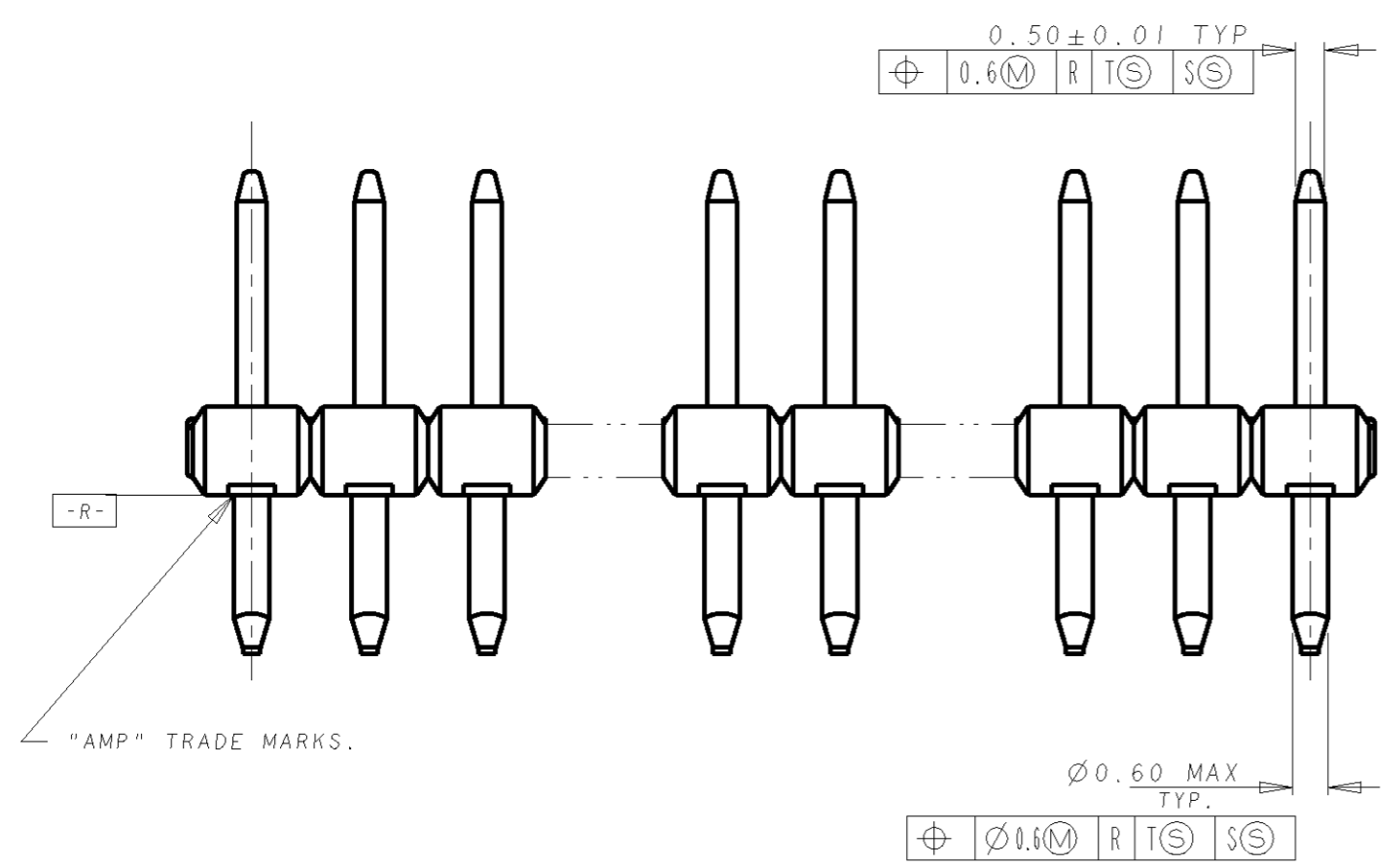
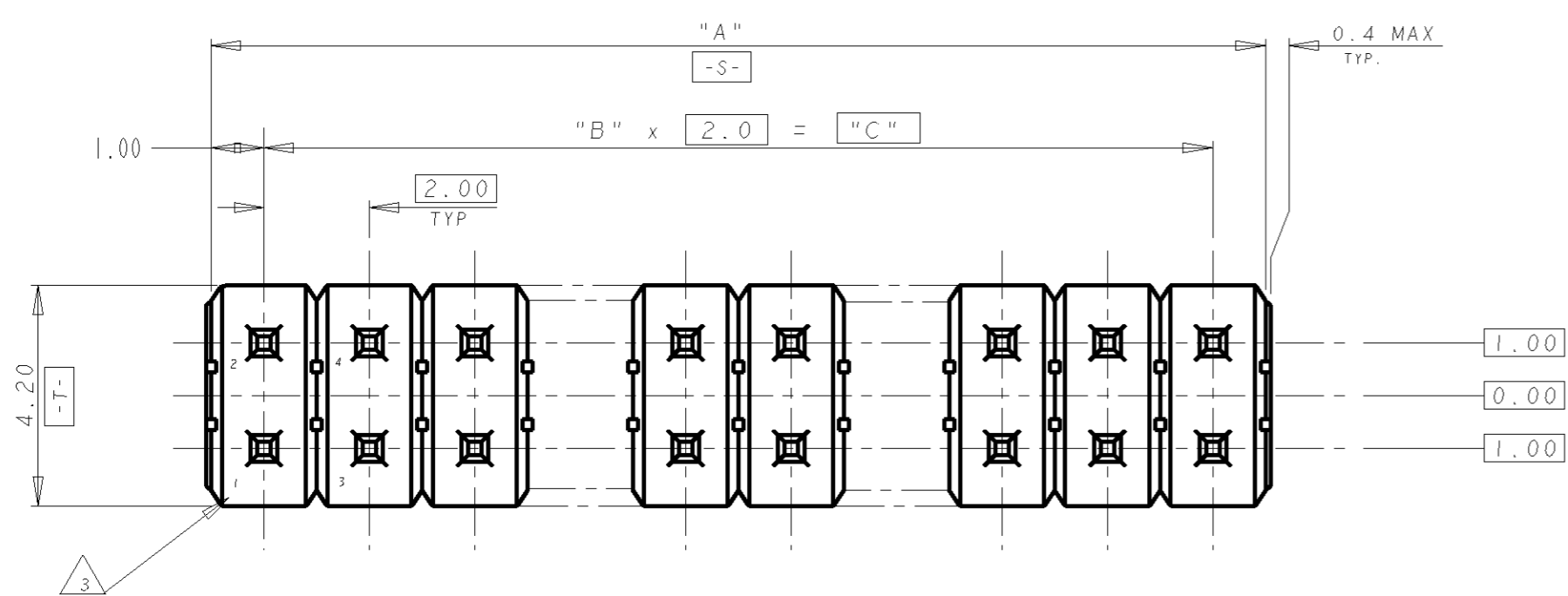


THIS DRAWING IS UNPUBLISHED. RELEASED FOR PUBLICATION
 © COPYRIGHT BY ALL RIGHTS RESERVED.

LOC		DIST		REVISIONS			
P	LTR	DESCRIPTION	DATE	DWN	APVD		
P		REVISED PER ECO-11-005139	19MAR11	RK	HMR		

- NOTES:
- 1 MATERIAL HOUSING: THERMOPLASTIC, UL 94V-0.
POST : BRASS
 - 2 FINISH CONTACT AREA, "D" MIN Au
ON NICKEL 0.0013 MIN ALL OVER
POST TINE: 0.002 MIN MATTE TIN
 - 3 POST POSITION NUMBERS FOR REFERENCE ONLY.



NIL	4.00	0.0002	4	2	6	6	5-	-8
17	4.00	0.00076	24	12	26	26	5-	-7
9, 10	5.00	0.00076	24	12	26	26	5-	-6
1, 14		0.00076	14	7	16	16	5-	-5
1, 12		0.00076	10	5	12	12	5-	-4
NIL		0.00076	--	--	2	2	5-	-3
25		0.00076	48	24	50	50	5-	-2
25		0.0002	48	24	50	50	5-	-1
			48	24	50	50	4-	-8
			46	23	48	48	4-	-7
			44	22	46	46	4-	-6
			42	21	44	44	4-	-5
		0.00076	34	17	36	36	4-	-1
			48	24	50	50	3-	-9
			42	21	44	44	3-	-6
		0.0002	34	17	36	36	3-	-2
			28	14	30	30	2-	-9
			22	11	24	24	2-	-6
			20	10	22	22	2-	-5
			18	9	20	20	2-	-4
			16	8	18	18	2-	-3
			14	7	16	16	2-	-2
			12	6	14	14	2-	-1
			10	5	12	12	2-	-0
			8	4	10	10	1-	-9
			6	3	8	8	1-	-8
			4	2	6	6	1-	-7
		0.00076	2	1	4	4	1-	-6
			30	15	32	32	1-	-5
			28	14	30	30	1-	-4
			26	13	28	28	1-	-3
			22	11	24	24	1-	-1
			20	10	22	22	1-	-0
			18	9	20	20		-9
			16	8	18	18		-8
			14	7	16	16		-7
			12	6	14	14		-6
			10	5	12	12		-5
			8	4	10	10		-4
			6	3	8	8		-3
			2	1	4	4		-1
FINISH	PIN OMITTED	"E"	"D"	"C"	"B" SPACES	"A"	POS	P/N
								5176264-1

GENERAL TOLERANCE

0 <= 10	: ±0.2
10 <= 30	: ±0.25
30 <= 100	: ±0.3
ANGLES	: ±3°

DIMENSIONS: mm		TOLERANCES UNLESS OTHERWISE SPECIFIED:		DWN WYLEE 07MAR2005		TE Connectivity	
MATERIAL		FINISH		CHK VINCENT TAN		NAME	
APVD SF LEONG		PRODUCT SPEC		APVD SF LEONG		AMPMODU 2mm PITCH POST HDR, VERTICAL MOUNT TYPE	
APPLICATION SPEC		WEIGHT		SIZE A2		CAGE CODE 00779	
CUSTOMER DRAWING		SCALE 8:1		DRAWING NO. 5176264		SHEET OF REV P	

5176264

X-ON Electronics

Largest Supplier of Electrical and Electronic Components

Click to view similar products for [Headers & Wire Housings](#) category:

Click to view products by [TE Connectivity](#) manufacturer:

Other Similar products are found below :

[892-18-020-10-001101](#) [58102-G61-06LF](#) [582553-1](#) [0009485154](#) [009176003701906](#) [0050291907](#) [LY20-4P-DT1-P1E-BR](#) [02.125.8002.8](#)
[609-3404](#) [61062-3](#) [61082-181009](#) [622-3653LF](#) [63453-116](#) [636-1030](#) [636-1427](#) [636-3427](#) [636-4007](#) [641938-9](#) [641991-4](#) [644827-2](#) [65817-010LF](#) [65817-015LF](#) [65863-015LF](#) [66207-023LF](#) [67095-007LF](#) [67601157](#) [68645-018](#) [68648-049](#) [70.362.1628.0](#) [70-4210](#) [70-4226B](#) [70-4853B](#) [707-5020](#) [707-5028](#) [71.350.2428.0](#) [71918-208LF](#) [71961-016LF](#) [733-134](#) [733-162](#) [754199-000](#) [760-3052](#) [787-8014-00](#) [79531-3000](#)
[FCN-360C032-B](#) [FCN-367T-T012/H](#) [FCN-723D010/2](#) [80.063.4001.1](#) [800-90-001-10-001000](#) [800-90-010-10-002000](#) [801-43-002-10-013000](#)