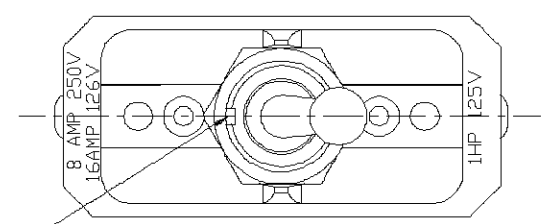


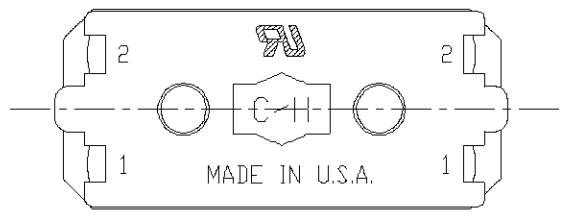
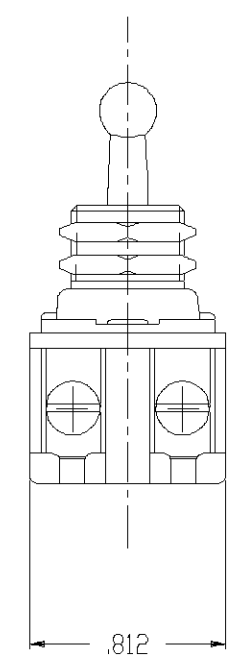
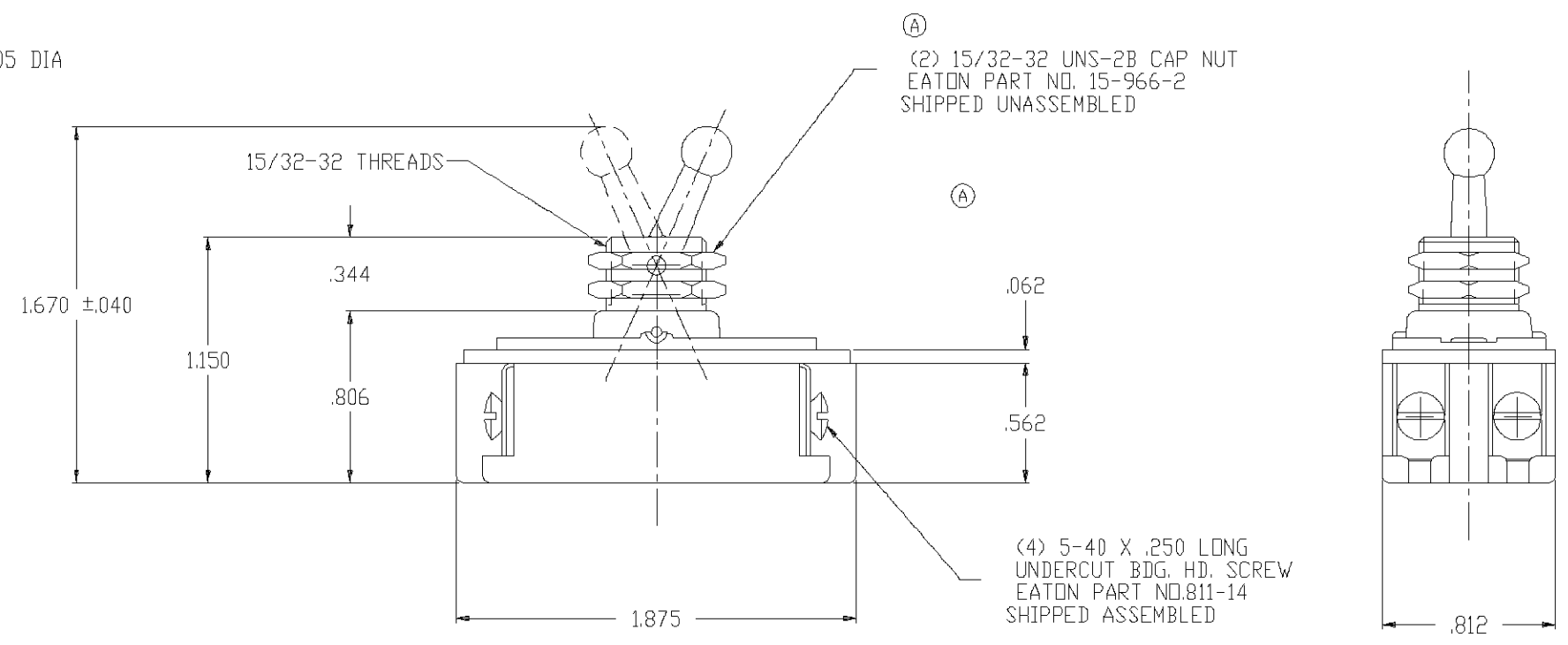
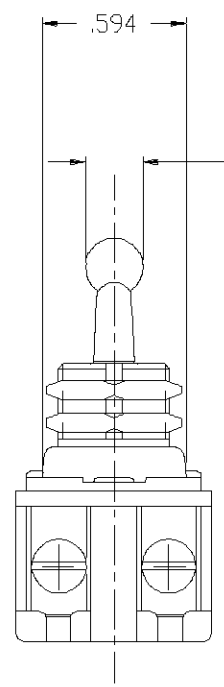
B

91-285



.068  $\begin{matrix} +.003 \\ -.004 \end{matrix}$  X .038 DEEP KEYWAY

NOTE:  
1. UNLESS OTHERWISE SPECIFIED ALL TOLERANCES TO BE  $\pm 0.016$ .



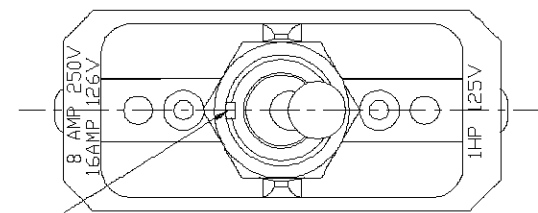
ORDER NO. 93719950

A	REMOVED 15-192 NUT NOTE, ADDED "(2)" TO 15-966-2 NUT NOTE.	6/29/94	D
B			E
C			F

THIRD ANGLE PROJECTION

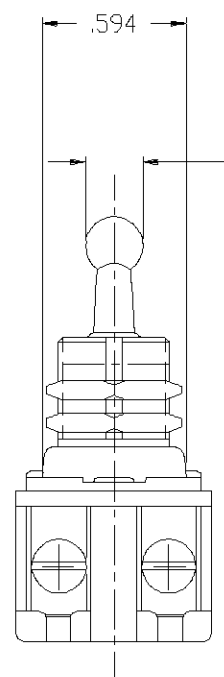


TITLE: DOUBLE POLE 8A 250V/16A 125V ONE HOLE MTD. TOOL HANDLE TOGGLE SWITCH			
DR.	W. LEONARD	1/16/92	SURFACE COATING
CHK.	WESTEMEIER	1/22/92	SCALE
APP.	M.R. DUMMER	1/22/92	DO NOT SCALE DRAWING
		FIRST ASSEM. WHERE LISTED 7320K12	
		SUP'S	
		SUP'D BY	

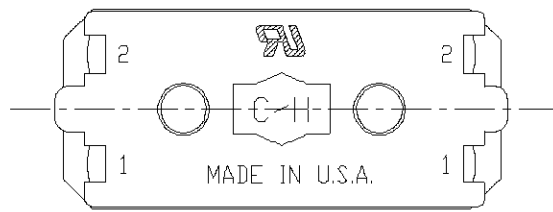
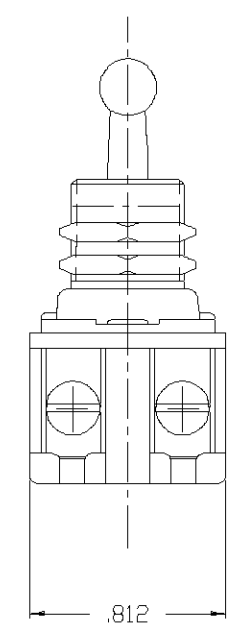
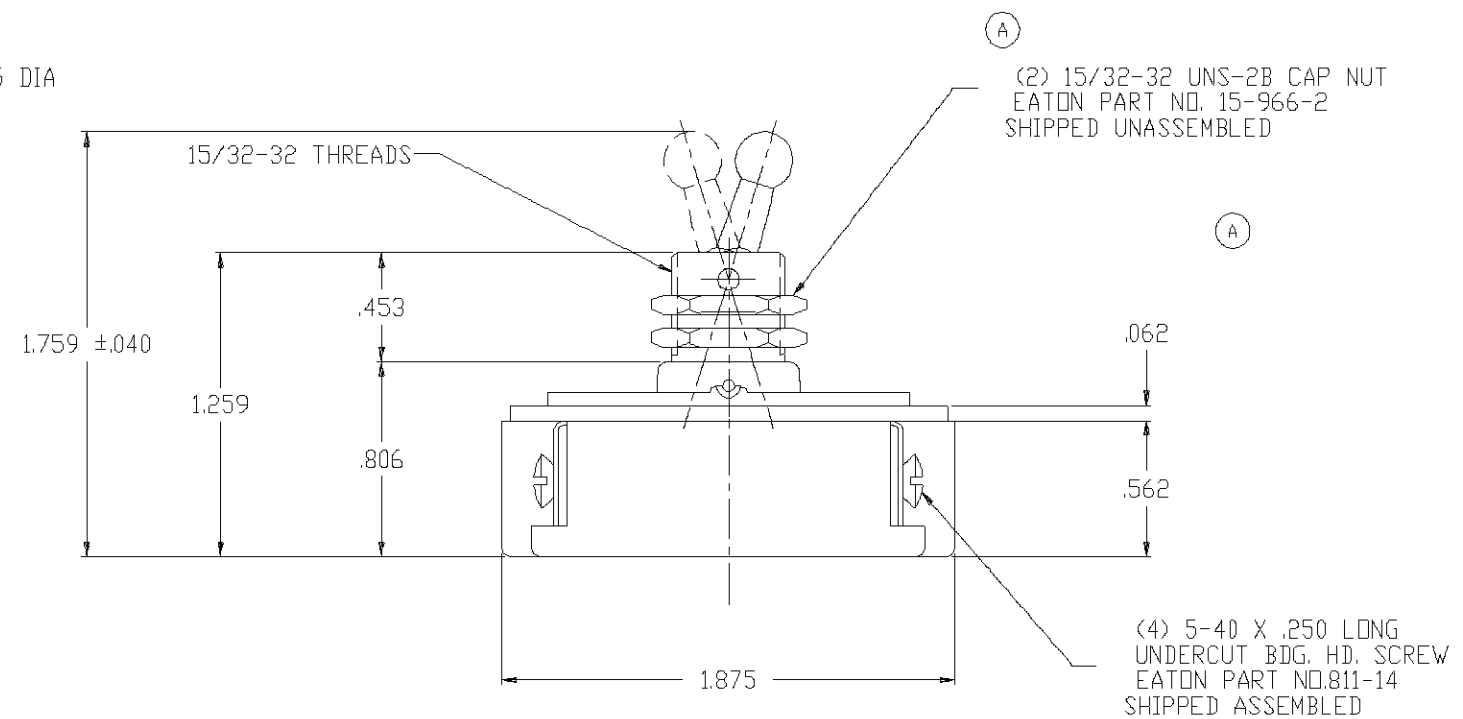


.068  $\begin{matrix} +.003 \\ -.004 \end{matrix}$  X .038 DEEP KEYWAY

NOTE:  
1. UNLESS OTHERWISE SPECIFIED ALL TOLERANCES TO BE  $\pm 0.016$ .

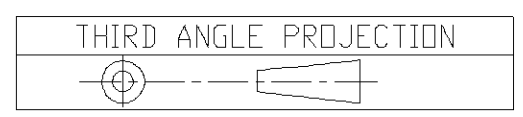


.594  
.240  $\pm 0.005$  DIA



ORDER NO. 93719950

A	REMOVED 15-192 NUT NOTE, ADDED *(2)* TO 15-966-2 NUT NOTE.	6/29/94	D
B		93719990	E
C			F



TITLE: DOUBLE POLE 8A 250V/16A 125V ONE HOLE MTD. TOOL HANDLE TOGGLE SWITCH			
DR. W. LEONARD	1/16/92	SURFACE COATING	FIRST ASSEM. WHERE LISTED 7320K13
CHK. WESTEMEIER	1/22/92	SCALE	SUP'S
APP. M.R. DUMMER	1/22/92	DO NOT SCALE DRAWING	SUP'D BY

## X-ON Electronics

Largest Supplier of Electrical and Electronic Components

*Click to view similar products for [Toggle Switches](#) category:*

*Click to view products by [TE Connectivity](#) manufacturer:*

Other Similar products are found below :

[A19HV](#) [8A1-C-222](#) [60012L](#) [6006L](#) [6663](#) [7101MD9V30GE](#) [7101SPDV30BE](#) [7103SDV30BE](#) [7105D](#) [7108P3YAV2BE](#) [71YY50282](#)  
[7201MD9AVBE](#) [7301K38](#) [7306K36](#) [7310K36](#) [7314K36](#) [7506K4](#) [7592K6](#) [7691K14](#) [7700K1](#) [8396K108](#) [8824K14](#) [8828K13](#) [G2VX](#) [G3VX](#)  
[PS83-121G](#) [A101MD9AB04](#) [A101SD9AB04](#) [A101SDCQ04](#) [A103SD9AQ04](#) [A107TZB04](#) [A123P32YZQ](#) [A123S1YZG](#) [A127S1YCQ](#) [1-](#)  
[1825192-0](#) [A131S1YZQ](#) [A201SCWZB04](#) [A207SYCB04](#) [A208J61ZQ0004](#) [A221K12KAG](#) [A221S1YZQ](#) [A221T1TCQ](#) [A232K12KZQ](#)  
[A232M1YCQ](#) [A323S1CWZQ](#) [A423S1CWZG-M8](#) [A423S1YZQ](#) [12149A-3V](#) [12156AX408](#) [12147AGKX679](#)