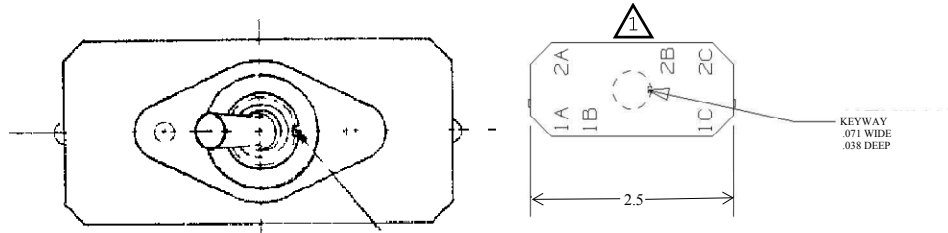


**A** C-1520204  
DWG. SIZE

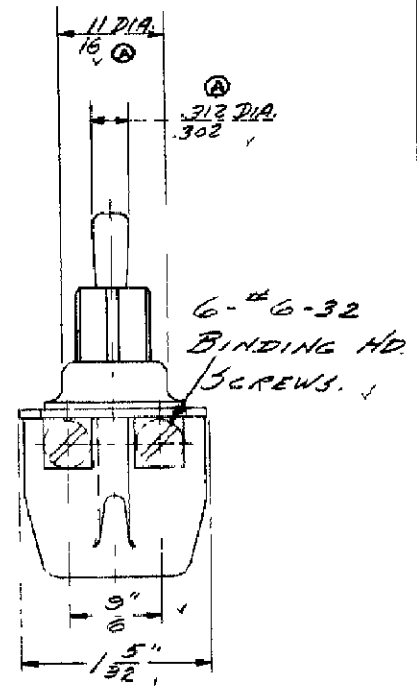
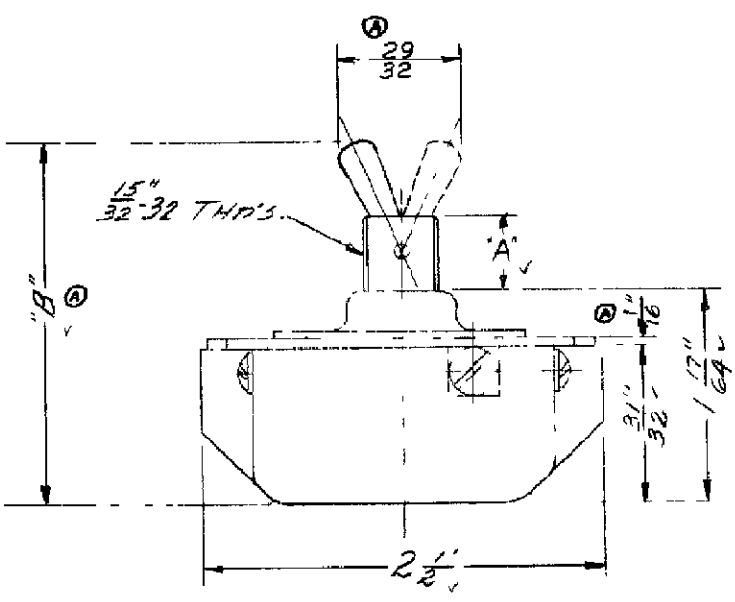
RAW MATERIAL SPECIFICATION WITH PART NO.

LTR	DESCRIPTION	DWN	APVD
A	REVISED PER ECO-14-013647	NK	RH

△ STAMP LOCATION IS APPROXIMATE ON PART.



068" KEYWAY  
075" KEYWAY



FOR 90-283-2	A = 1.125"	B = 2.35/64
FOR 90-283	A = 1.125"	B = 2.27/64

NAME DIM. FOR D.P.D.T., 10 AMP. ONE HOLE MTG. TOOL HANDLE SW.

ORDER NUMBER	SUPERSEDES	SUPERSEDED	FINISH	FIRST ASSEMBLY WHERE USED
DET. 3829-N	INTERCHANGEABLE	INTERCHANGEABLE	—	SEE ABOVE

DRAWN BY *[Signature]* TRACED BY *[Signature]* CHECKED BY *[Signature]* APPROVED BY *[Signature]*

STANDARD TOLERANCES UNLESS OTHERWISE SPECIFIED APPLY TO DIMENSIONS FOR WHICH TOLERANCES ARE NOT SHOWN

SCALE 1" = 1"

**A** C-1520204 REV A  
DWG. SIZE



## X-ON Electronics

Largest Supplier of Electrical and Electronic Components

*Click to view similar products for [Toggle Switches](#) category:*

*Click to view products by [TE Connectivity](#) manufacturer:*

Other Similar products are found below :

[8A1-C-222](#) [60012L](#) [6006L](#) [6663](#) [7101MD9V30GE](#) [7101SPDV30BE](#) [7103SDV30BE](#) [7105D](#) [7108P3YAV2BE](#) [71YY50282](#)  
[7201MD9AVBE](#) [7301K38](#) [7306K36](#) [7310K36](#) [7314K36](#) [7506K4](#) [7660K12](#) [7691K14](#) [7700K1](#) [FA75A-CBL](#) [8396K108](#) [8824K14](#) [8828K13](#)  
[G2VX](#) [G3VX](#) [PS83-121G](#) [A101MD9AB04](#) [A101SD9AB04](#) [A101SDCQ04](#) [A103SD9AQ04](#) [A107TZB04](#) [A123P32YZQ](#) [A123S1YZG](#)  
[A127S1YCQ](#) [1-1825192-0](#) [A131S1YZQ](#) [A201SCWZB04](#) [A207SYCB04](#) [A208J61ZQ0004](#) [A221K12KAG](#) [A221S1YZQ](#) [A221T1TCQ](#)  
[A232K12KZQ](#) [A232M1YCQ](#) [A323S1CWZQ](#) [A423S1CWZG-M8](#) [A423S1YZQ](#) [12149A-3V](#) [12156AX408](#) [12147AGKX679](#)