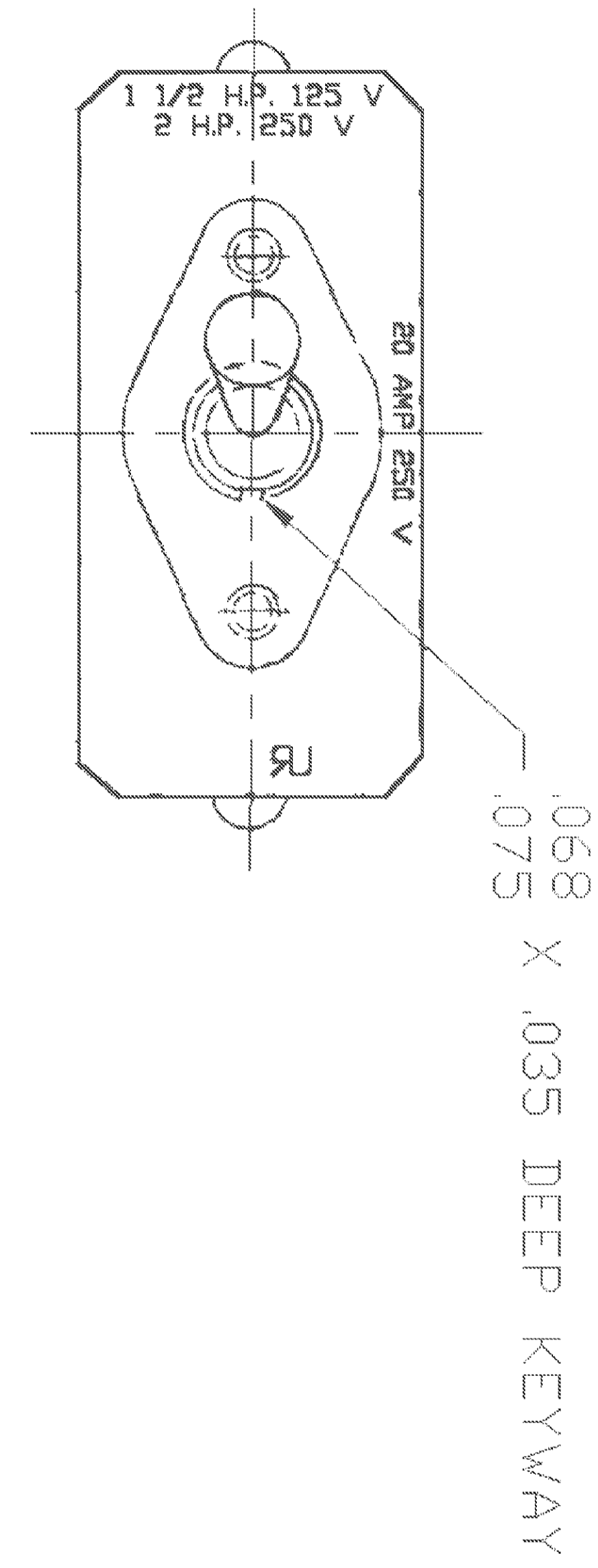
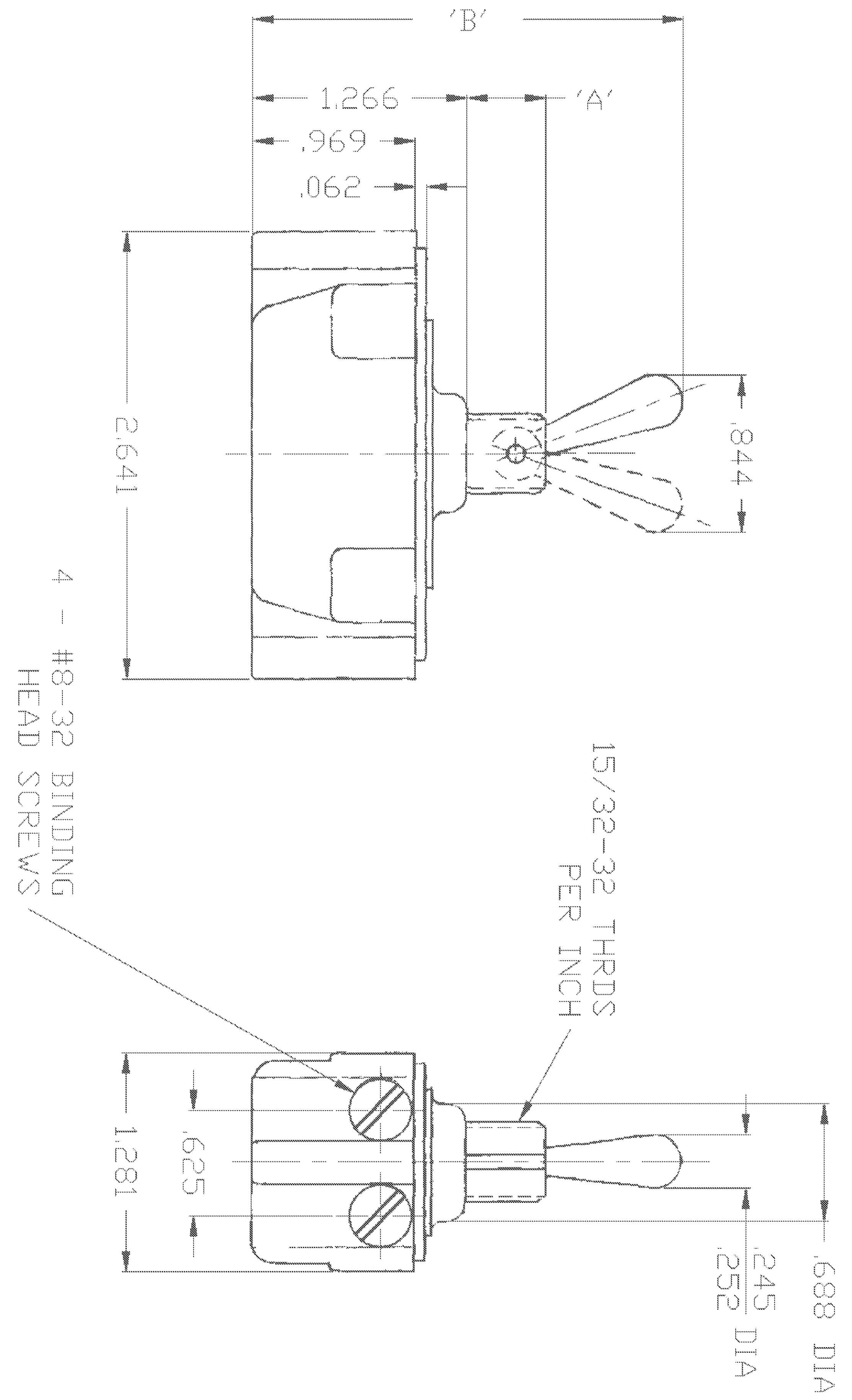


TYCO NO. 1520230-6
(ARAB NO. 8909K500)

90-15569

THIS DRAWING IS A CONTROLLED DOCUMENT.		DWN: WESTEMEIER	01AUG00	 TE Connectivity
DIMENSIONS: INCHES		CHK: R. WALLEN	02AUG00	
TOLERANCES UNLESS OTHERWISE SPECIFIED:		APVD: R. WALLEN	02AUG00	NAME: 20A 250V PANEL MOUNT ROCKER SWITCH
0 PLC ± -		PRODUCT SPEC		TYCO NO. 1520230-6
1 PLC ± -		APPLICATION SPEC		(ARAB NO. 8909K500)
2 PLC ± -		SIZE: A1	CAGE CODE: 00779	DRAWING NO: 1520230
3 PLC ± .016		RESTRICTED TO: -		
4 PLC ± -		WEIGHT: -		
ANGLES ± -		CUSTOMER DRAWING	SCALE: 1:1	SHEET: 1 OF 2
MATERIAL: -	FINISH: -			REV: B1



2-1520230-2	7402K4 T-PAK	.469	2.547
2-1520230-1	7402K3 T-PAK	.344	2.422
2-1520230-3	8909K27	.469	2.547
1520230-9	8910K202	.469	2.547
1520230-8	8910K165	.469	2.547
1520230-5	8909K4	.469	2.547
1520230-4	7403K2	.469	2.547
1520230-3	7403K1	.344	2.422
1520230-2	7402K4	.469	2.547
1520230-1	7402K3	.344	2.422
TYCO NO.	ARAB NO.	DIM 'A'	DIM 'B'
			90-347

THIS DRAWING IS A CONTROLLED DOCUMENT.

DWG: F.R. LEONARD 19SEP40
 CHK: J. RACH 040CT40
 APD: G.J. 050CT40

NAME: 20A 250VAC TOGGLE SWITCH

PRODUCT SPEC: -
 APPLICATION SPEC: -

SIZE: A1
 CAGE CODE: 00779
 DRAWING NO: 1520230

RESTRICTED TO: -

CUSTOMER DRAWING

SCALE: N.T.S. SHEET 2 OF 2

X-ON Electronics

Largest Supplier of Electrical and Electronic Components

Click to view similar products for [Toggle Switches](#) category:

Click to view products by [TE Connectivity](#) manufacturer:

Other Similar products are found below :

[8A1-C-222](#) [60012L](#) [6006L](#) [6663](#) [7101MD9V30GE](#) [7101SPDV30BE](#) [7103SDV30BE](#) [7105D](#) [7108P3YAV2BE](#) [71YY50282](#)
[7201MD9AVBE](#) [7301K38](#) [7306K36](#) [7310K36](#) [7314K36](#) [7506K4](#) [7660K12](#) [7691K14](#) [7700K1](#) [FA75A-CBL](#) [8396K108](#) [8824K14](#) [8828K13](#)
[G2VX](#) [G3VX](#) [PS83-121G](#) [A101MD9AB04](#) [A101SD9AB04](#) [A101SDCQ04](#) [A103SD9AQ04](#) [A107TZB04](#) [A123P32YZQ](#) [A123S1YZG](#)
[A127S1YCQ](#) [1-1825192-0](#) [A131S1YZQ](#) [A201SCWZB04](#) [A207SYCB04](#) [A208J61ZQ0004](#) [A221K12KAG](#) [A221S1YZQ](#) [A221T1TCQ](#)
[A232K12KZQ](#) [A232M1YCQ](#) [A323S1CWZQ](#) [A423S1CWZG-M8](#) [A423S1YZQ](#) [12149A-3V](#) [12156AX408](#) [12147AGKX679](#)