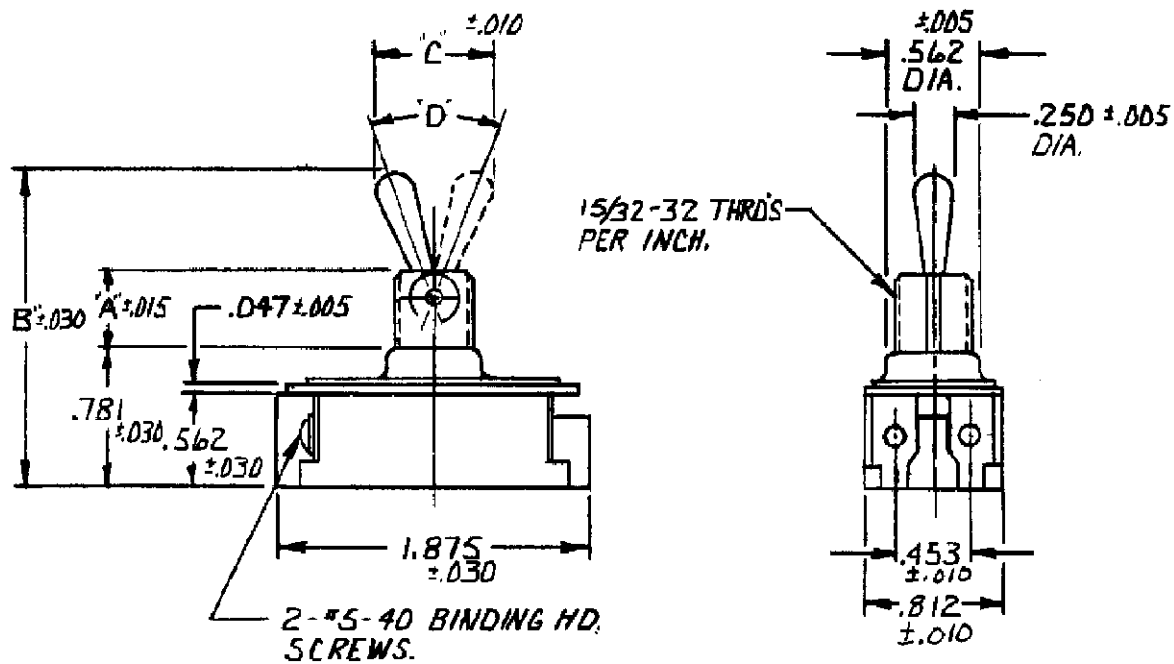


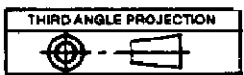
TITLE DIMENSIONS FOR DBL. POLE TOOL HD'L. SW. FOR EUROPEAN USE

ORDER NO.	702A575014	BASIC SPECS. SUMMARY				
			M. R. R. G. 11-26-76	DR MICHAEL WHITEO 1/8/76	APP. Richard Beard	
			702A575014			
			M. R. R. G. 11/14/76	CHK. J. SMITH	1-14-76	1520237
			702A575014 R.S.			REV A
LTR	REVISION RECORD	DATE	CHK			





37°±4°	7321	.469	1.922	.719
50°±4°	7321	.344	1.766	.844
"D"	CAT. NO.	A	B	C



TITLE
DIMENSIONS FOR SINGLE POLE ONE HOLE MTG. TOOL HANDLE SWITCH.

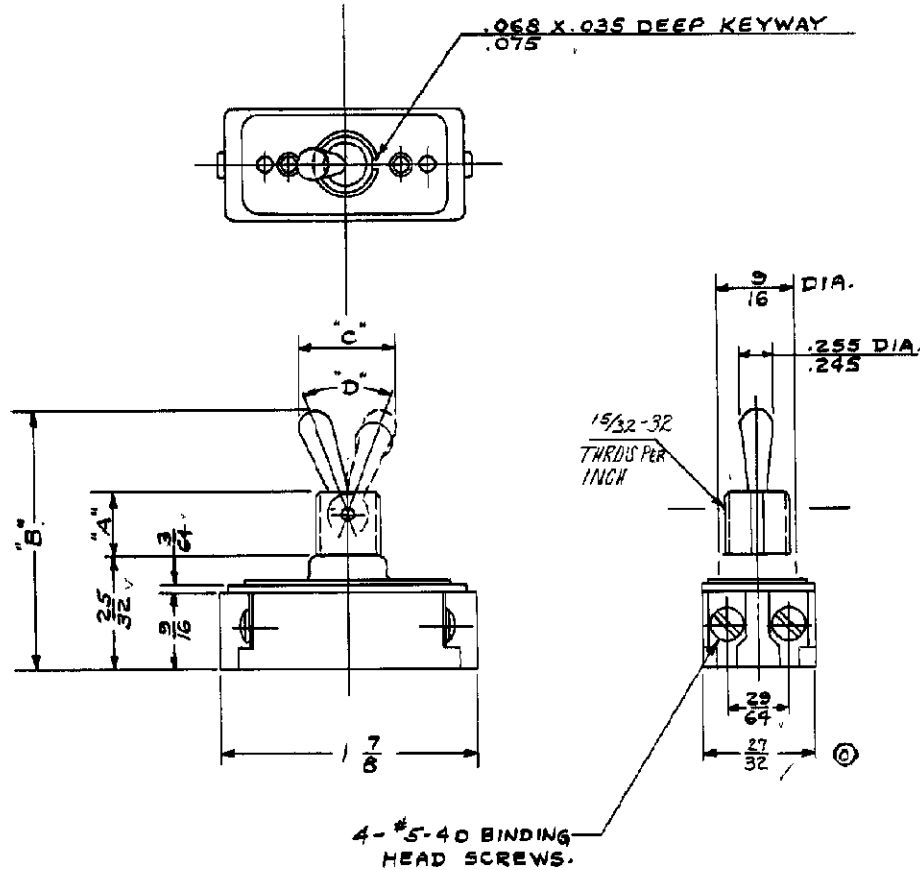
ORDER NO. 9310N10 BASIC SPECS. SUMMARY

DR.	JEFF BROTHERS	11/27/04	APP	Bill Newland
CHK.	GLENN STORY	11/27/04	1520237	REV A

SEE SHEET 1 **STE** TE Connectivity

1520237

RAW MAT SPEC WITH
PART NO AND AMOUNT REQ'D.



© 37±4°	7320	15/32	159/64	21/32
50±4°	7320	11/32	149/64	21/32
"D"	CAT. NO.	A	B	C

BULLETIN
DIMENSIONS FOR ~~ONE HOLE MTG. TOOL HANDLE SWITCH~~, ONE HOLE MTG. TOOL HANDLE SWITCH

DR. <i>E. R. Leonard</i>	11/14/40	1520237
CHKD. <i>J. P. ...</i>	10/14/40	SUP. S. NON-INTERCHANGEABLE
APP. <i>J. P. ...</i>	10/15/40	SUP. D BY NON-INTERCHANGEABLE
DO NOT SCALE DRAWING. WORK ACCORDING TO DIMENSIONS.		SURFACE COATING

STANDARD TOLERANCES 90-875 APPLY TO DIMENSIONS SCALE 1" = 1"

SEE SHEET 1	ORDER NO. DEV. 4041-10	A	REV A
-------------	------------------------	---	-------

STE TE Connectivity

FORM NO. 7
DIMENSIONS ON THIS DRAWING
15-40
SCHILLER
15-40
CLOSE

X-ON Electronics

Largest Supplier of Electrical and Electronic Components

Click to view similar products for [Toggle Switches](#) category:

Click to view products by [TE Connectivity](#) manufacturer:

Other Similar products are found below :

[A19HV](#) [8A1-C-222](#) [60012L](#) [6006L](#) [6663](#) [7101MD9V30GE](#) [7101SPDV30BE](#) [7103SDV30BE](#) [7105D](#) [7108P3YAV2BE](#) [71YY50282](#)
[7201MD9AVBE](#) [7301K38](#) [7306K36](#) [7310K36](#) [7314K36](#) [7506K4](#) [7592K6](#) [7691K14](#) [7700K1](#) [8396K108](#) [8824K14](#) [8828K13](#) [G3VX](#) [PS83-](#)
[121G](#) [A101MD9AB04](#) [A101SD9AB04](#) [A101SDCQ04](#) [A103SD9AQ04](#) [A107TZB04](#) [A123P32YZQ](#) [A123S1YZG](#) [A127S1YCQ](#) [1-1825192-](#)
[0](#) [A131S1YZQ](#) [A201SCWZB04](#) [A207SYCB04](#) [A208J61ZQ0004](#) [A221K12KAG](#) [A221S1YZQ](#) [A221T1TCQ](#) [A232K12KZQ](#) [A232M1YCQ](#)
[A323S1CWZQ](#) [A423S1YZQ](#) [12149A-3V](#) [12156AX408](#) [12147AGKX679](#) [12149AD2G0383VX408](#) [12246X778](#)