

NOTES:

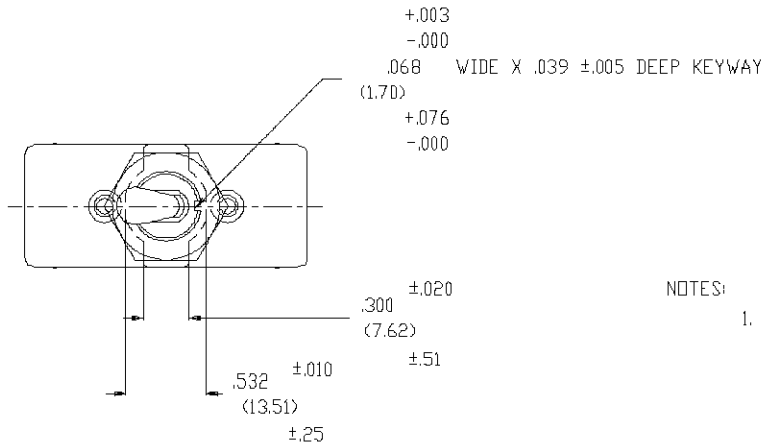
1. METRIC DIMS SHOWN IN ().
2. MOUNTING HARDWARE TO BE SHIPPED UNASSEMBLED.

THIS DOCUMENT IS THE PROPERTY OF EATON CORP. IT'S CONTENTS ARE PROPRIETARY AND CONFIDENTIAL AND SHALL NOT BE DISCLOSED TO ANY UNAUTHORIZED PERSON, COPIED OR PUBLISHED WITHOUT EATON'S PRIOR WRITTEN CONSENT.

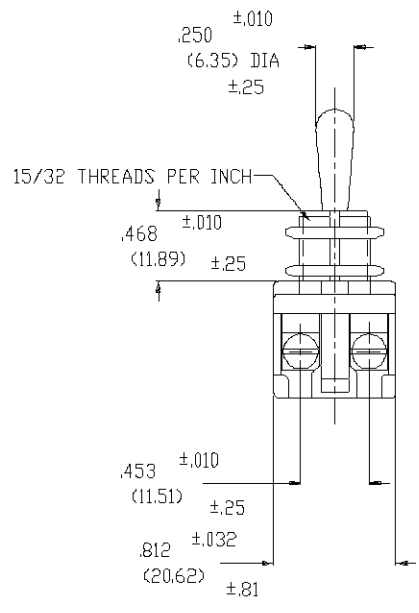
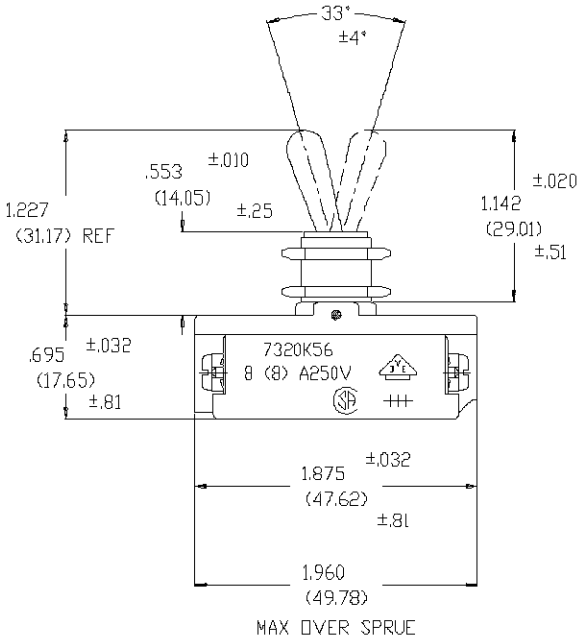


TITLE		DIMS FOR DOUBLE INSULATED TOOL HANDLE SWITCH FOR EUROPEAN USE			
ORDER NO.		BASIC SPECS. SUMMARY			
702A575014					
A2	REDRAWN ON CAD. REMOVED BOTTOM VIEW.	TC		DR.	
	ECN01229603	93719990	1/22/96	MICHAEL WHITED	1/8/76
	ECN			J. SMITH	1/14/76
	ECN				ECN01229603
EATON					

A
 90-6358

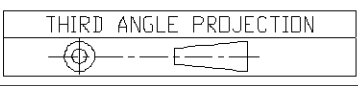


NOTES:
1. MOUNTING HARDWARE TO BE SHIPPED



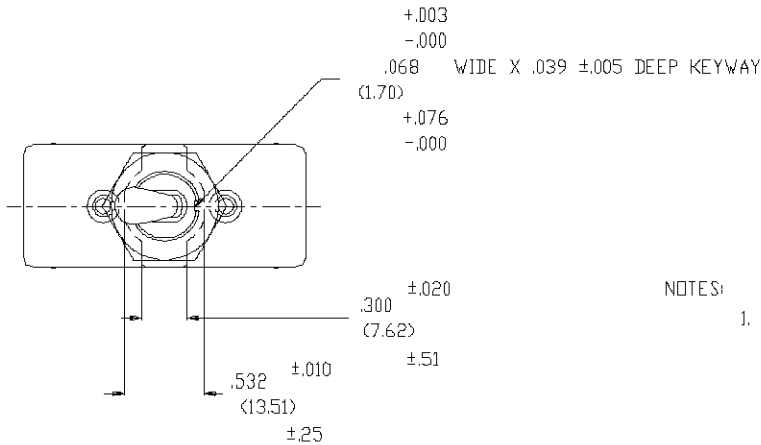
ORDER NO. 93719990

A		ECN						ECN				
		ECN						ECN				
		ECN						ECN				

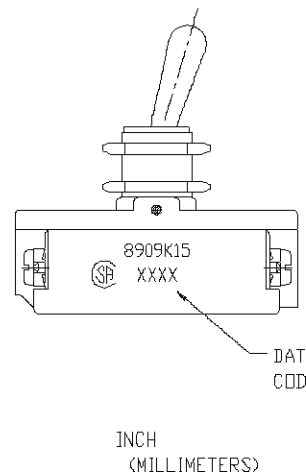
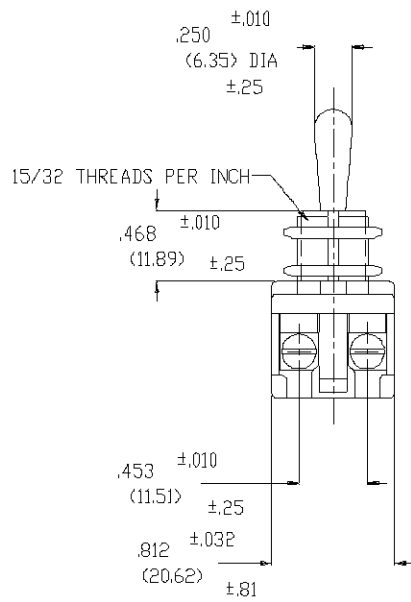
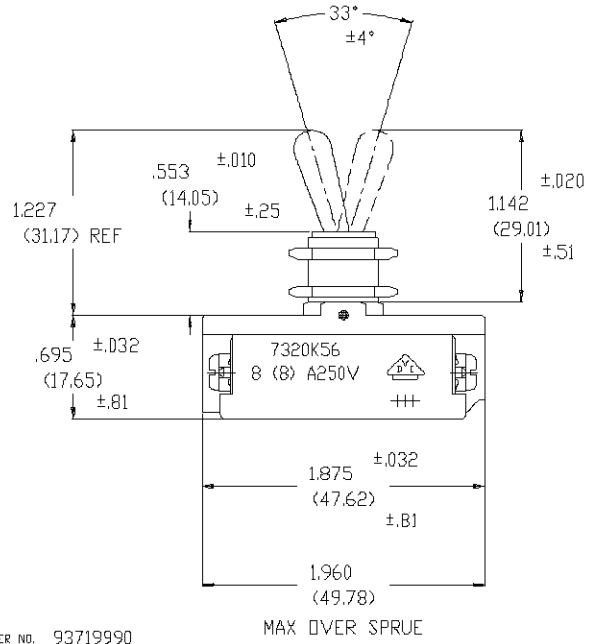


TITLE	DIM DWG D
DR.	2/
CHK.	
APP.	



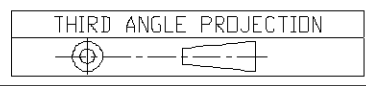


NOTES:
1. MOUNTING HARDWARE TO BE SHIPPED UNASSEMBLED.



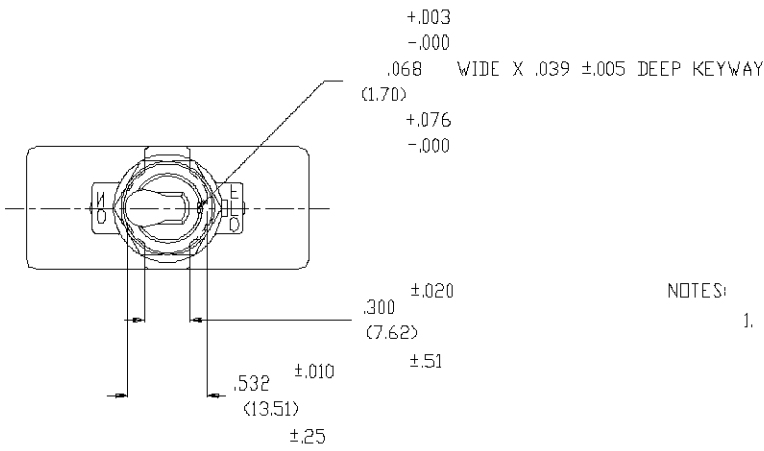
ORDER NO. 93719990

A		ECN								ECN				
		ECN								ECN				
		ECN								ECN				

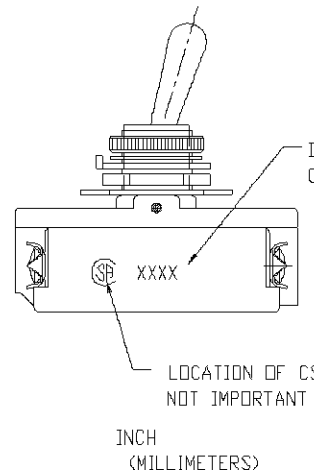
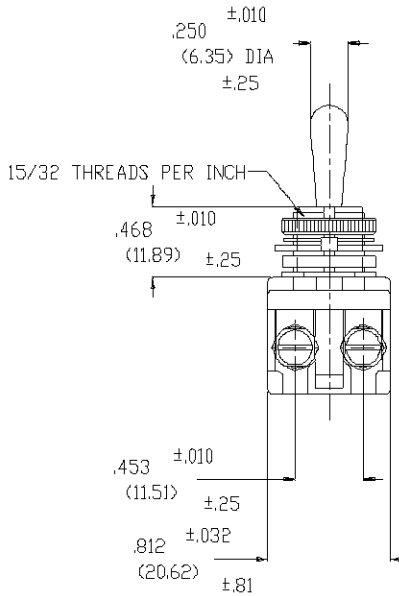
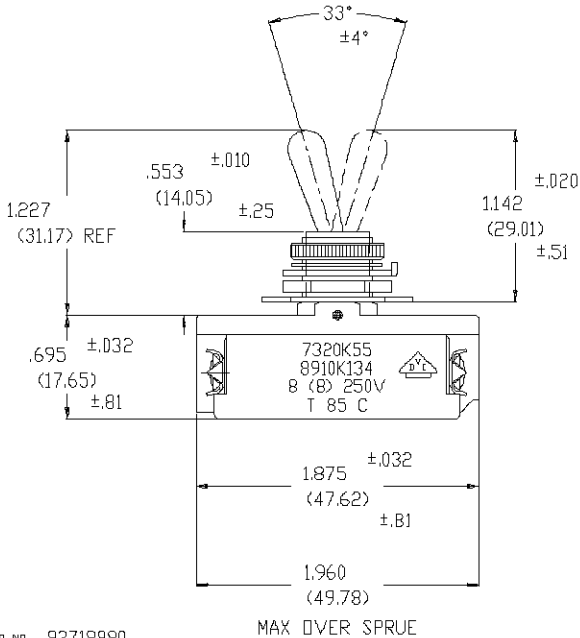


TITLE	DIM DWG D
DR.	T. CHRISTENSEN
CHK.	
APP.	





NOTES:
1. MOUNTING HARDWARE TO BE SHIPPED UNASSEMBLED.

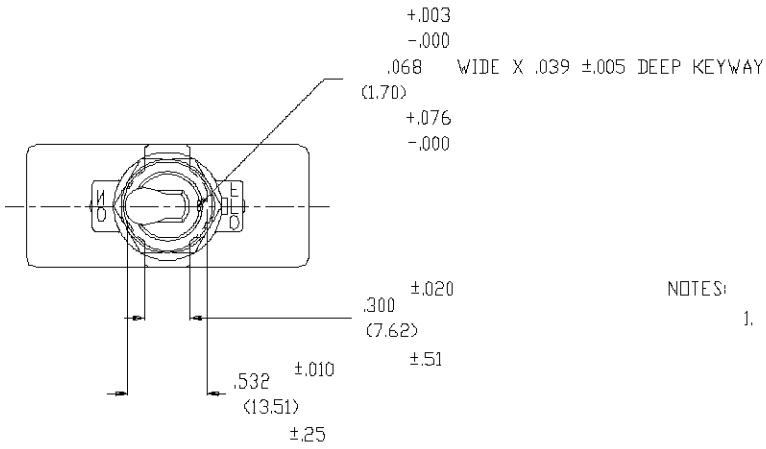


ORDER NO. 93719990

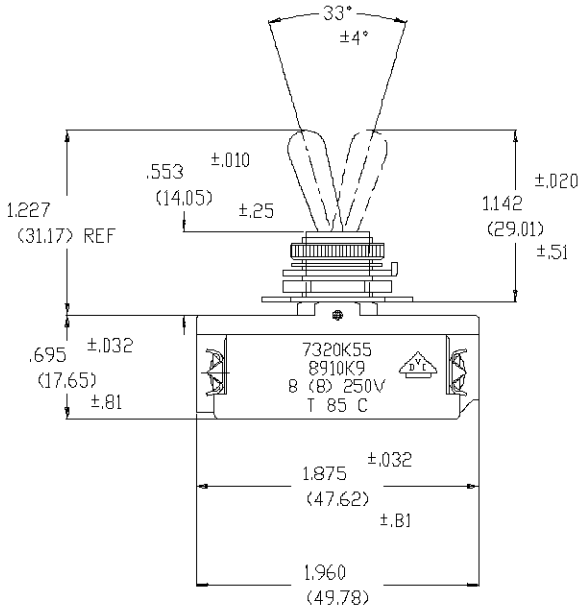
THIRD ANGLE PROJECTION

TITLE		DIM DWG I	
DR.			2/
CHK.			
APP.			

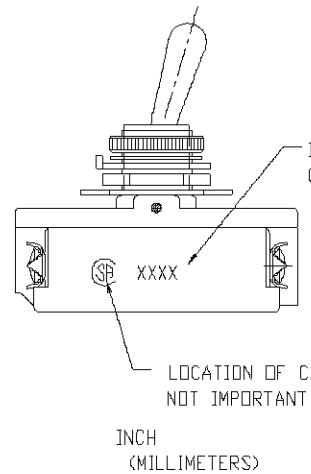
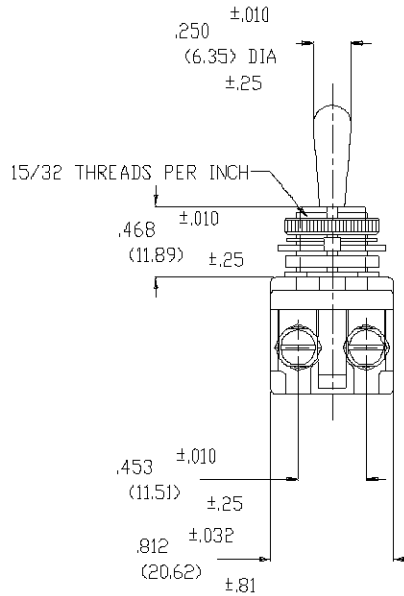




NOTES:
 1. MOUNTING HARDWARE TO BE SHIPPED UNASSEMBLED.



MAX OVER SPRUE



ORDER NO. 93719990

REV	DESCRIPTION	DATE	BY	CHK	APP
A	ECN				
	ECN				
	ECN				



TITLE	DIM DWG	REV
DR.		2/
CHK.		
APP.		

X-ON Electronics

Largest Supplier of Electrical and Electronic Components

Click to view similar products for [Toggle Switches](#) category:

Click to view products by [TE Connectivity](#) manufacturer:

Other Similar products are found below :

[8A1-C-222](#) [60012L](#) [6006L](#) [6663](#) [7101MD9V30GE](#) [7101SPDV30BE](#) [7103SDV30BE](#) [7105D](#) [7108P3YAV2BE](#) [71YY50282](#)
[7201MD9AVBE](#) [7301K38](#) [7306K36](#) [7310K36](#) [7314K36](#) [7506K4](#) [7660K12](#) [7691K14](#) [7700K1](#) [FA75A-CBL](#) [8396K108](#) [8824K14](#) [8828K13](#)
[G2VX](#) [G3VX](#) [PS83-121G](#) [A101MD9AB04](#) [A101SD9AB04](#) [A101SDCQ04](#) [A103SD9AQ04](#) [A107TZB04](#) [A123P32YZQ](#) [A123S1YZG](#)
[A127S1YCQ](#) [1-1825192-0](#) [A131S1YZQ](#) [A201SCWZB04](#) [A207SYCB04](#) [A208J61ZQ0004](#) [A221K12KAG](#) [A221S1YZQ](#) [A221T1TCQ](#)
[A232K12KZQ](#) [A232M1YCQ](#) [A323S1CWZQ](#) [A423S1CWZG-M8](#) [A423S1YZQ](#) [12149A-3V](#) [12156AX408](#) [12147AGKX679](#)