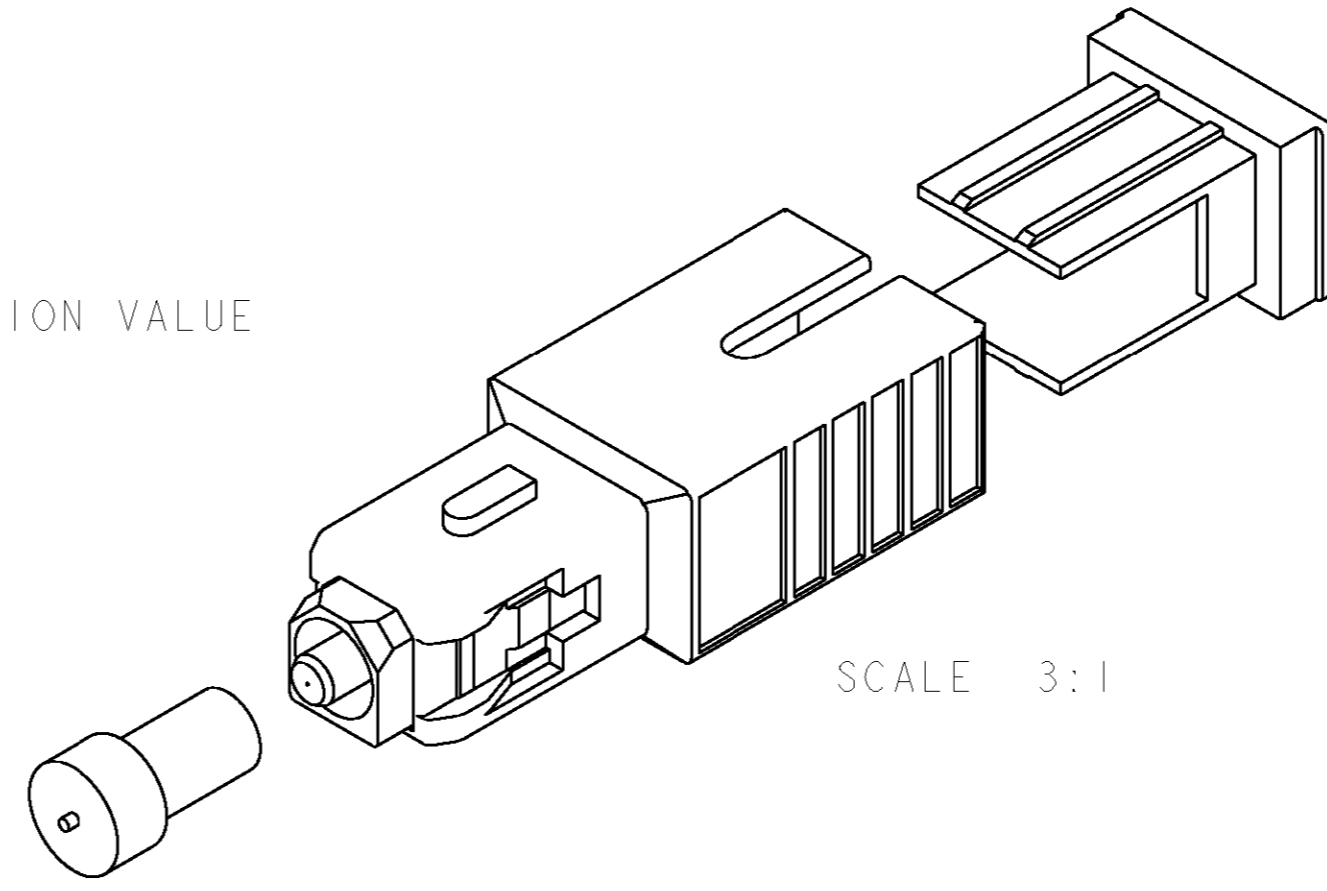


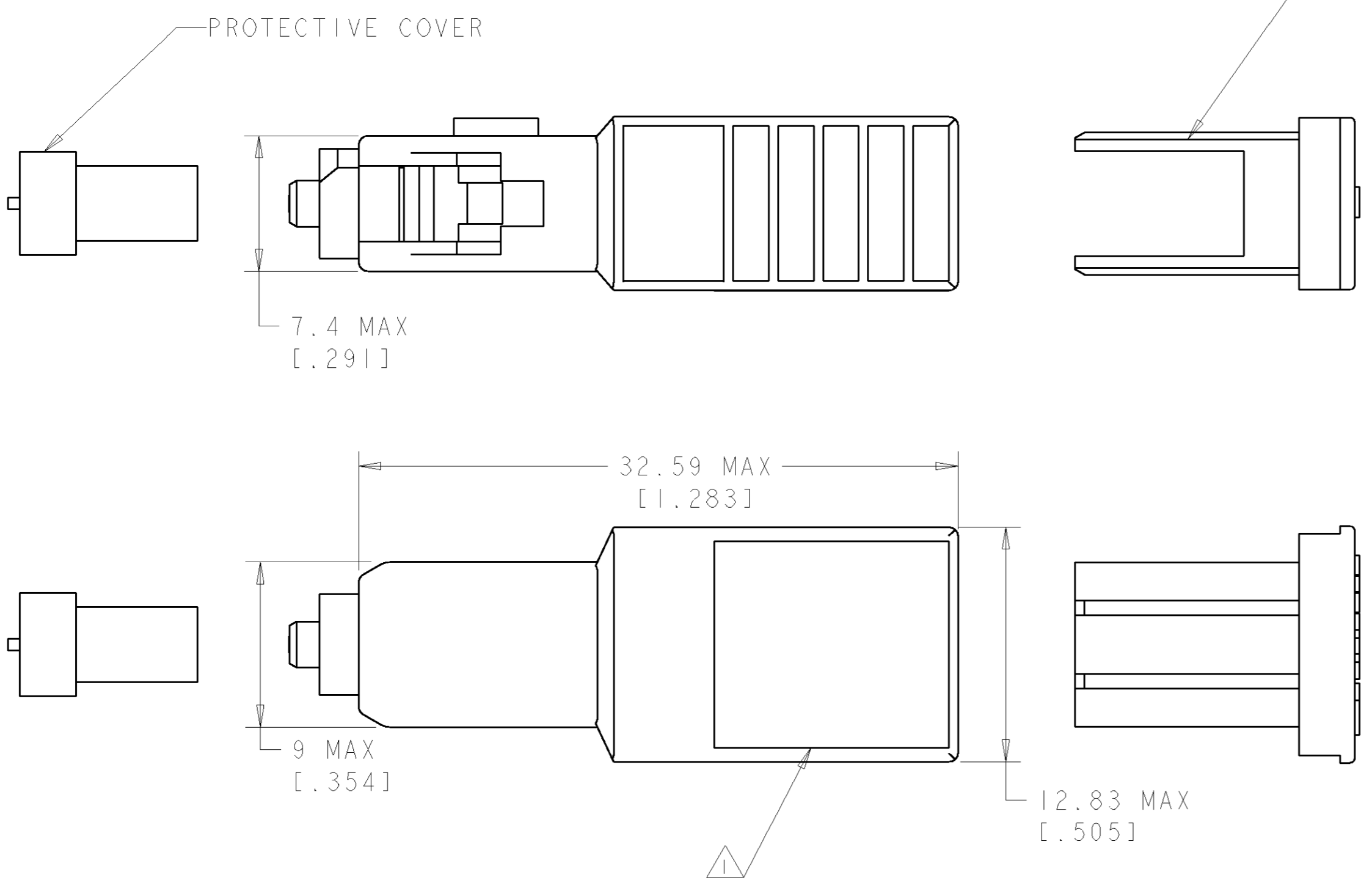
THIS DRAWING IS UNPUBLISHED. RELEASED FOR PUBLICATION 20
 © COPYRIGHT BY ALL RIGHTS RESERVED.

LOC	DIST	REVISIONS					
CE	00	P	LTR	DESCRIPTION	DATE	DWN	APVD
		B1		REVISED PER ECO-11-005027	29APR11	RK	HMR

PERFORMANCE REQUIREMENTS:
 OPERATING WAVELENGTH : 1310/1550 ±25nm
 REFLECTANCE : ≤ -55dB
 OPERATING TEMPERATURE : -40°C TO +75°C
 ATTENUATION TOLERANCE, AMBIENT :
 FOR 0 dB ATTENUATORS : + 0.50dB MAX
 FOR ATTENUATORS ≤ 5dB : ± 0.50dB
 FOR ATTENUATORS >5dB : ± 10% OF NOMINAL ATTENUATION VALUE
 MEASURED WITH REFERENCE QUALITY LAUNCH LEADS



SCALE 3:1



NOMINAL ATTENUATION VALUE (dB)	PART NUMBER
0	9-5209943-9
1	5209943-1
2	5209943-2
3	5209943-3
4	5209943-4
5	5209943-5
6	5209943-6
7	5209943-7
8	5209943-8
9	5209943-9
10	1-5209943-0
11	1-5209943-1
12	1-5209943-2
13	1-5209943-3
14	1-5209943-4
15	1-5209943-5
16	1-5209943-6
17	1-5209943-7
18	1-5209943-8
19	1-5209943-9
20	2-5209943-0
25	2-5209943-5

⚠ TYCO LOGO, ATTENUATION VALUE, PART NUMBER, AND SERIAL NUMBER ARE PRINTED ON THE LABEL.

DIMENSIONS: mm [INCHES]		TOLERANCES UNLESS OTHERWISE SPECIFIED: 0 PLC ± 1 PLC ± 2 PLC ± 3 PLC ± 4 PLC ± ANGLES ± FINISH -		DWN 05DEC2005 E. HOPKINS CHK 05DEC2005 E. HOPKINS APVD 05DEC2005 S. BUCHTER		TE TE Connectivity	
MATERIAL -		PRODUCT SPEC - APPLICATION SPEC - WEIGHT -		NAME ATTENUATOR, FOPC BOA SC/UPC DW SM		SIZE A2 CAGE CODE 00779 DRAWING NO. 5209943 RESTRICTED TO -	
CUSTOMER DRAWING				SCALE 4:1 SHEET OF REV B1		-	

X-ON Electronics

Largest Supplier of Electrical and Electronic Components

Click to view similar products for [Fiber Optic Connectors](#) category:

Click to view products by [TE Connectivity](#) manufacturer:

Other Similar products are found below :

[0004700001](#) [6100-R](#) [6313](#) [F709034706](#) [F709722200](#) [F718183204](#) [F727403500](#) [F727752800](#) [FCXO-12-3BY](#) [FO-SCREW\(M2X6\)](#) [9440F20-27S-190](#) [944-120-6001](#) [944-125-6003](#) [9441F10SL-3S](#) [9446F10SL-4S](#) [953-101-5310-P](#) [954-101-57202B](#) [A0270169](#) [12-9122](#) [12-5702](#) [143025NC](#) [AX101713](#) [AX102420](#) [AX103923](#) [AX104141](#) [AX104193](#) [AX104228](#) [AX104230](#) [AX104562](#) [AX105203-B25](#) [AX105205-S1](#) [EHSC2M](#) [17-300800](#) [181-011-126](#) [BT34IW](#) [HRFCP-HSCJ-1\(61\)](#) [HRFC-R2\(40\)](#) [NKSOPBUY](#) [20500002116](#) [2064996-1](#) [20800001065](#) [2170](#) [9132](#) [2612](#) [2620](#) [9291](#) [9440F18-19S](#) [9440F20-14P](#) [9440F20-14PW](#) [9440W18-1S](#)