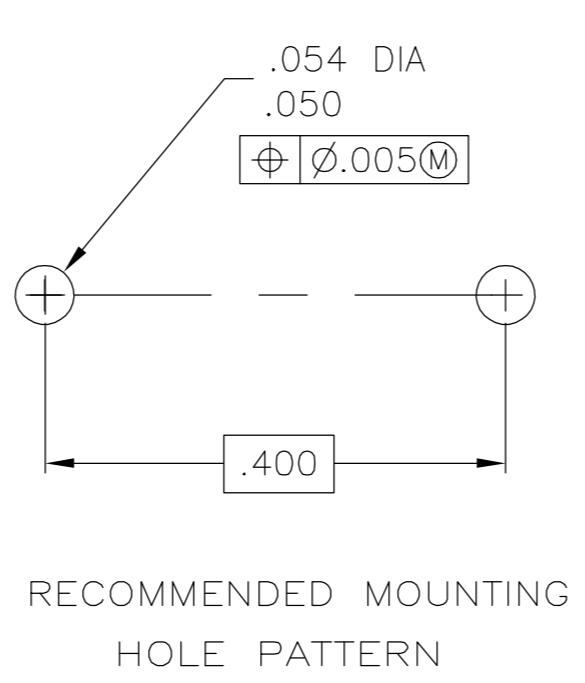
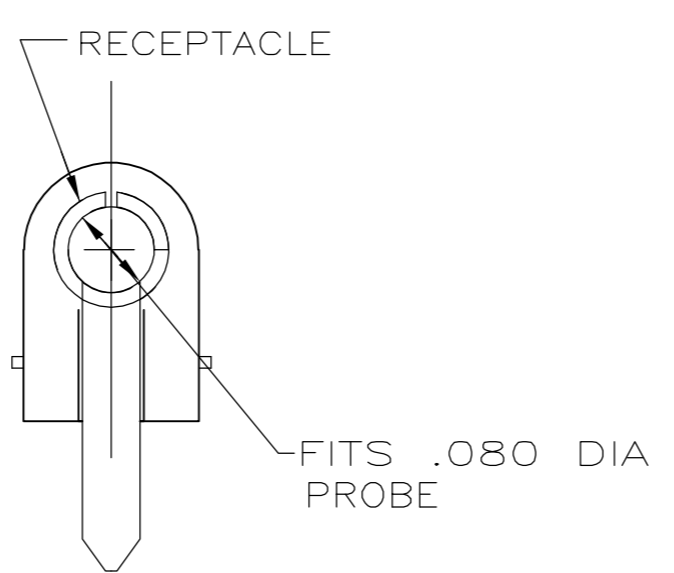
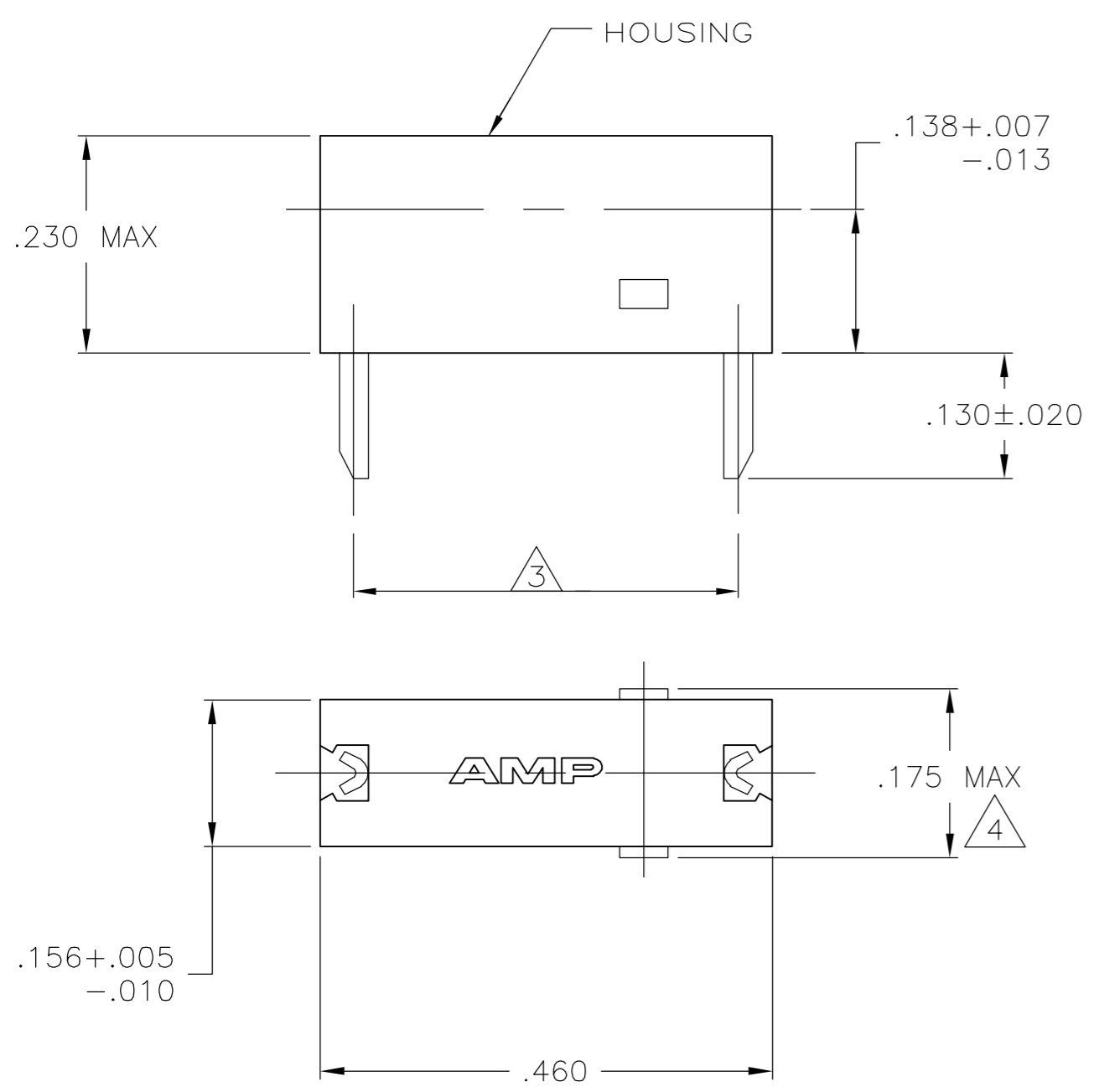


THIS DRAWING IS UNPUBLISHED. RELEASED FOR PUBLICATION  
 © COPYRIGHT BY TYCO ELECTRONICS CORPORATION. ALL RIGHTS RESERVED.

LOC	DIST	REVISIONS			
P	LTR	DESCRIPTION	DATE	DWN	APVD
AF	50	A	DRAWN	21JUL05	JR EH



- 1 OPERATION TEMPERATURE IS 105° C MAX.
  - 2 RETENTION FORCE - 16 OUNCES MIN INITIALLY.  
6 OUNCES MIN AFTER 500 CYCLES.
  - 3 REFER TO MOUNTING HOLE PATTERN.
- $\triangle 4$  .175 MAX TO BE MEASURED ACROSS THE CUT-OFF TABS.

NYLON 6/6; WHITE	BRASS - TIN/NICKEL	1-521799-9
NYLON 6/6; GREEN	BRASS - TIN/NICKEL	1-521799-5
NYLON 6/6; YELLOW	BRASS - TIN/NICKEL	1-521799-4
NYLON 6/6; RED	BRASS - TIN/NICKEL	1-521799-2
NYLON 6/6; BLACK	BRASS - TIN/NICKEL	1-521799-0
HOUSING - MATERIAL; COLOR	RECEPTACLE - MATERIAL; FINISH	PART NUMBER
THIS DRAWING IS A CONTROLLED DOCUMENT.		DWN JR RUTH 15JUL05
DIMENSIONS: $\frac{mm}{[INCHES]}$		CHK E. HOWARD 21JUL05
TOLERANCES UNLESS OTHERWISE SPECIFIED:		APVD E. HOWARD 21JUL05
0 PLC ± -	1 PLC ± -	NAME ASSEMBLY, TEST PROBE
2 PLC ± .015	3 PLC ± -	PRODUCT SPEC -
4 PLC ± -	ANGLES ± -	APPLICATION SPEC -
MATERIAL SEE TABLE	FINISH SEE TABLE	WEIGHT -
CUSTOMER DRAWING		SCALE 6:1
SIZE A2		CAGE CODE 00779
DRAWING NO C=521799		SHEET 1 OF 1
RESTRICTED TO -		REV A

## X-ON Electronics

Largest Supplier of Electrical and Electronic Components

*Click to view similar products for [Test Probes](#) category:*

*Click to view products by [TE Connectivity](#) manufacturer:*

Other Similar products are found below :

[6214](#) [6474](#) [815003](#) [923832-BK-B](#) [P-KIT-1](#) [KT-MS001](#) [925250-R](#) [973368101](#) [972318101](#) [972318100](#) [MXHQ87WJ3000](#) [PK106-3](#) [PK2-5MM-102](#) [TAS90](#) [VL1735/45](#) [973368100](#) [972327100](#) [972327101](#) [973995100](#) [973995101](#) [CT3982B-120](#) [MO50-PINS](#) [CT4386](#) [PP023-1](#) [PK1-5MM-127](#) [PP026-1](#) [PK103](#) [PK-ZS-013](#) [P6139B-PK10](#) [PQ215](#) [PQ218](#) [RT-ZI10C](#) [TT-SI 8071](#) [TT-SI 8050](#) [TT-SI 8010A](#) [TT-SI 7005](#) [GE.3421](#) [GE.2521](#) [GE.3121](#) [GE.1511](#) [GE.1521](#) [GE.2511](#) [GE.4511](#) [HVP15B](#) [TT-SI7002](#) [4005](#) [4011](#) [4012](#) [4013](#) [4014](#)