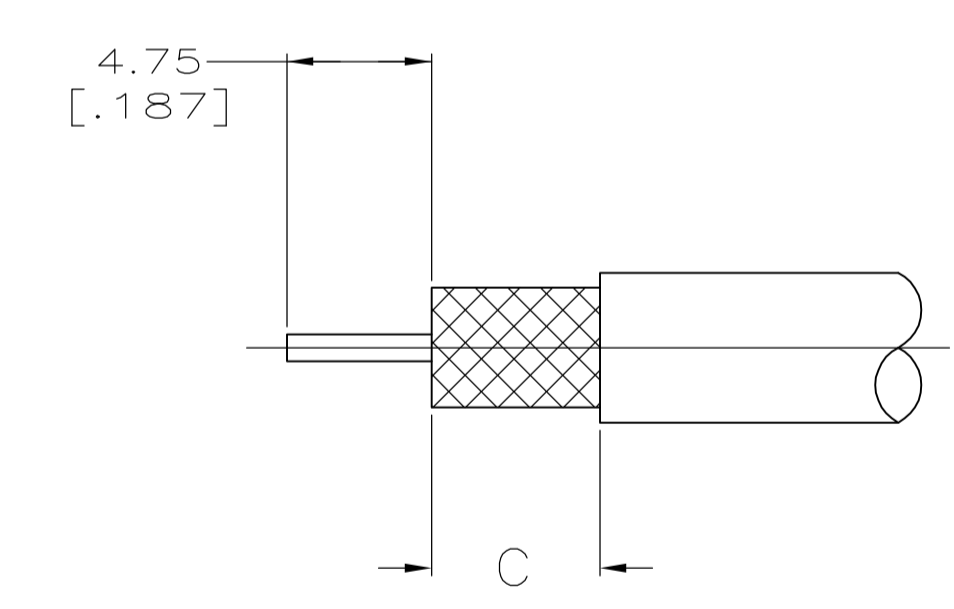
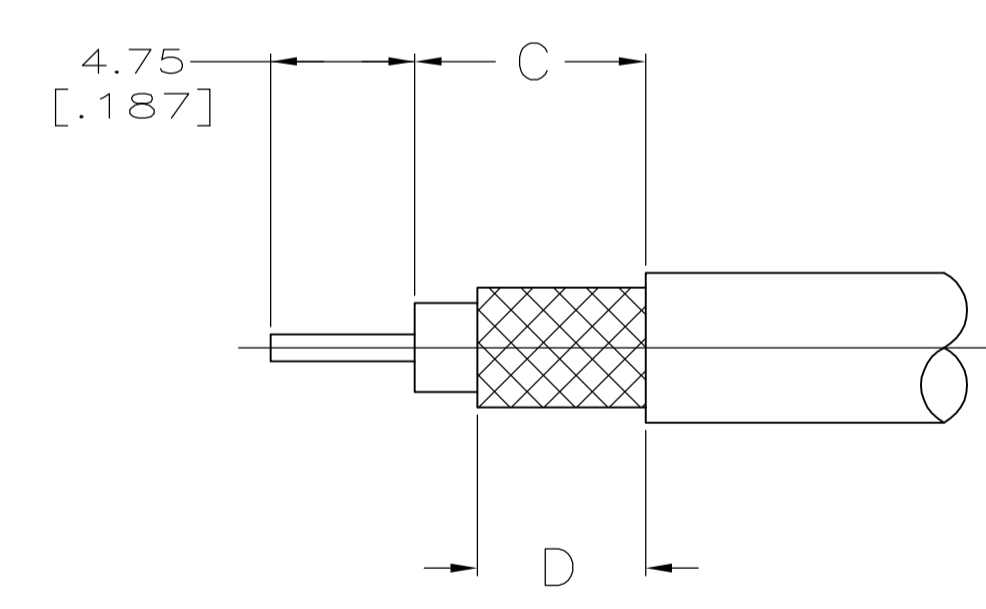
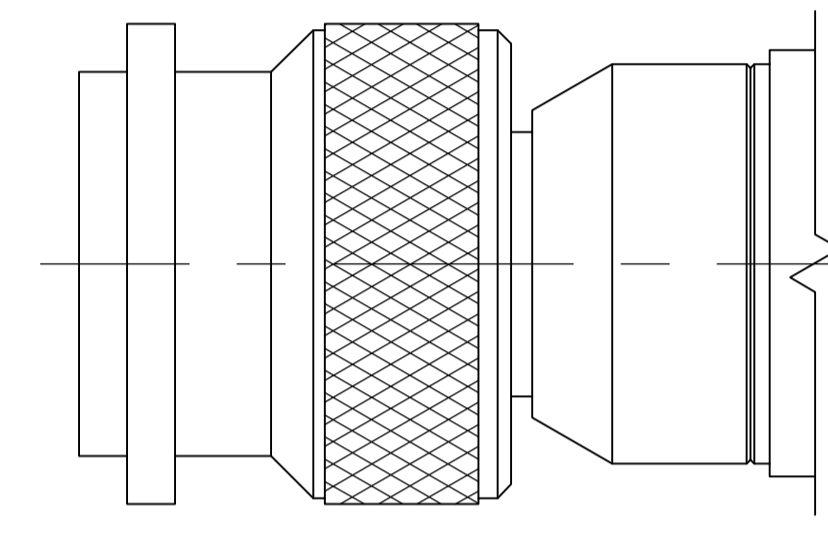
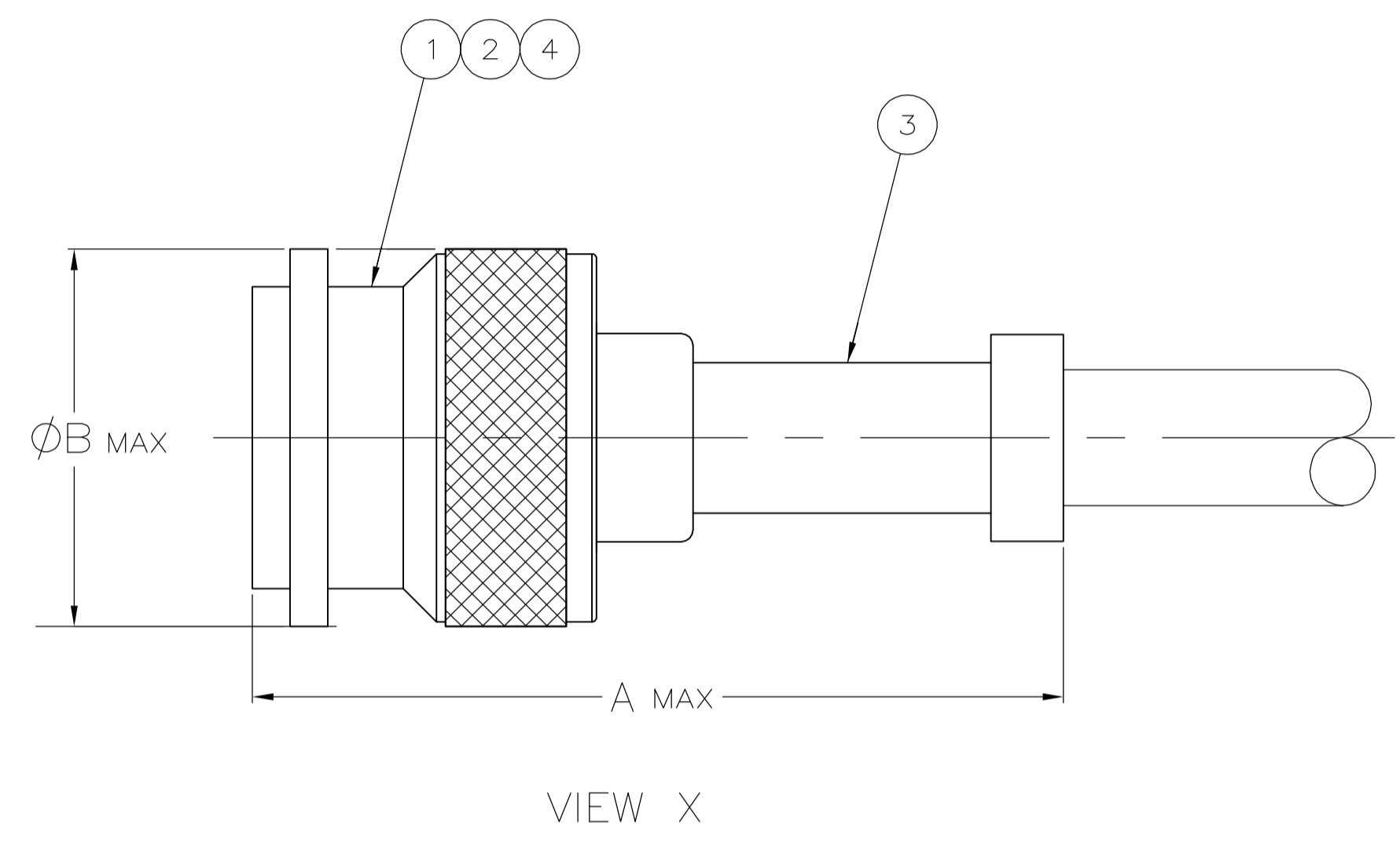


1. USE INSTRUCTION SHEET 408-2299-1



RECOMMENDED STRIP LENGTH

|            |     |                  |            |   |              |              |               |                   |                    |                    |                      |      |             |
|------------|-----|------------------|------------|---|--------------|--------------|---------------|-------------------|--------------------|--------------------|----------------------|------|-------------|
| RG-393/U   | 2   | 1-5225550-3 TYCO | 220015-1   | - | 12.70 [.500] | 16.26 [.640] | 50.67 [1.995] | 332022            | 1883172-1          | 225526-2           | 1883539-1            | Y    | 1-5225550-3 |
| RG-225/U   | 2   | 1-5225550-2 TYCO | 220015-1   | - | 12.70 [.500] | 16.26 [.640] | 50.80 [2.000] | 332022            | 1883158-1          | 225526-2           | 1883160-1            | Y    | 1-5225550-2 |
| CABLE SIZE | FIG | STAMPING         | CRIMP TOOL | D | C            | B            | A             | ④ GASKET<br>QTY=1 | ③ FERRULE<br>QTY=1 | ② CONTACT<br>QTY=1 | ① PLUG ASSY<br>QTY=1 | VIEW | PART NUMBER |

THIS DRAWING IS A CONTROLLED DOCUMENT.

|                            |  |           |           |           |                     |           |            |          |
|----------------------------|--|-----------|-----------|-----------|---------------------|-----------|------------|----------|
| DIMENSIONS:<br>mm [INCHES] | TOLERANCES UNLESS OTHERWISE SPECIFIED: | 0 PLC ± - | 1 PLC ± - | 2 PLC ± - | 3 PLC ± 0.41 [.016] | 4 PLC ± - | ANGLES ± - | FINISH - |
|----------------------------|--|-----------|-----------|-----------|---------------------|-----------|------------|----------|

|                  |                  |                     |   |
|------------------|------------------|---------------------|---|
| DRW: B. MOYER    | 19DEC2005        |                     | Tyco Electronics Corporation<br>Harrisburg, PA 17105-3608 |
| CHK: C. THOMAS   | 21DEC2005        |                     |   |
| APP'D: B. MOYER  | 19DEC2005        | NAME:               | PLUG, WEATHERPROOF, SERIES TNC                            |
| PRODUCT SPEC:    | 108-12001        | APPLICATION SPEC:   |   |
| SIZE: A1         | CAGE CODE: 00779 | DRAWING NO: 5225550 | RESTRICTED TO:  |
| WEIGHT:          |                  |                     |   |
| CUSTOMER DRAWING |                  | SCALE: 4:1          | SHEET 1 OF 1  |

## X-ON Electronics

Largest Supplier of Electrical and Electronic Components

*Click to view similar products for [RF Connectors / Coaxial Connectors](#) category:*

*Click to view products by [TE Connectivity](#) manufacturer:*

Other Similar products are found below :

[R125315120](#) [8915-1511-000](#) [89674-0827](#) [5916-1103-603](#) [6-0001-3](#) [6001-7071-019](#) [6002-7051-003](#) [6002-7551-202](#) [6059674-1](#) [619550-1](#)  
[630059-000](#) [M39012/25-0021](#) [M39012/79-3008](#) [M39030/3-01N](#) [M39030/3-03N](#) [M3933/25-36N](#) [6500-7071-046](#) [M83723/72W24576](#)  
[M83723/72W2457N](#) [6769](#) [CX050L2AQ](#) [7002-1541-010](#) [7002-1572-002](#) [7003-1572-002](#) [7010-1511-000](#) [7029-1511-060](#) [7101-1541-010](#)  
[7101-1571-002](#) [7105-1521-002](#) [7145-1521-002](#) [7209-1511-011](#) [7210-1511-015](#) [7210-1511-019](#) [7225-1512-050](#) [7242-1511-000](#) [73137-5015](#)  
[73251-0111](#) [73251-0672](#) [7325-1512-000](#) [73276-1501](#) [73366-0013](#) [73404-2300](#) [73413-6080](#) [73415-5721](#) [7405-1521-005](#) [7405-1521-802](#)  
[7406-1521-005](#) [804S01D04M040](#) [8145-1521-002](#) [81590](#)