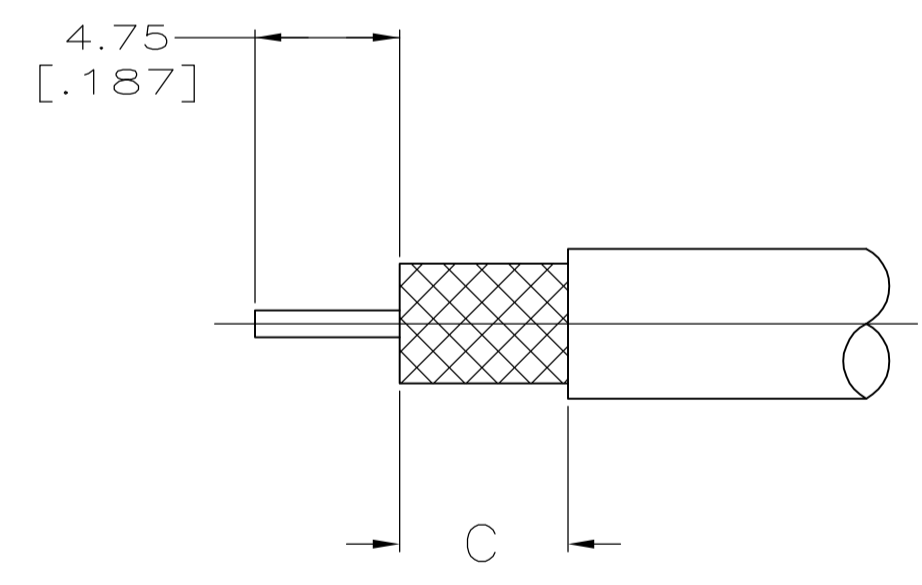
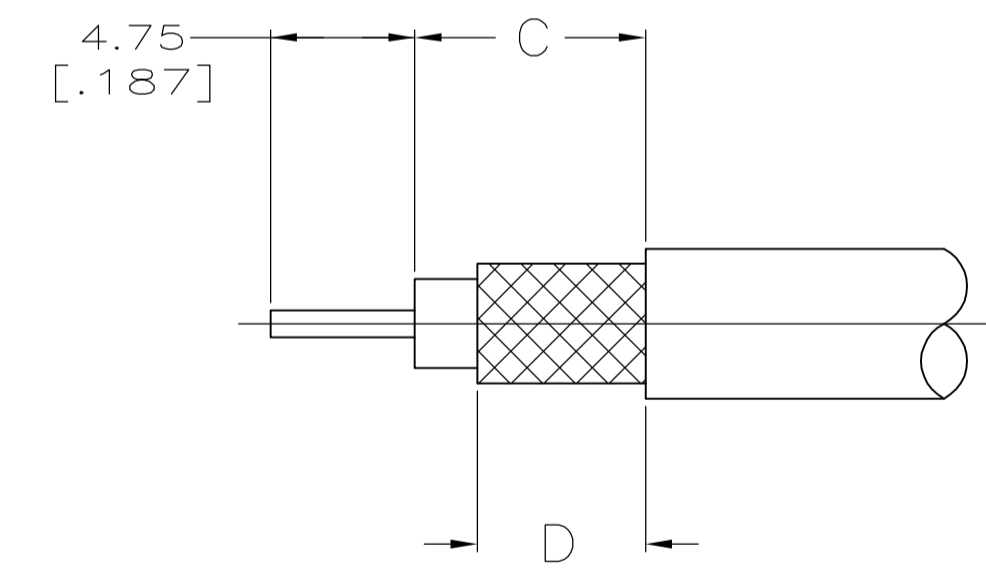
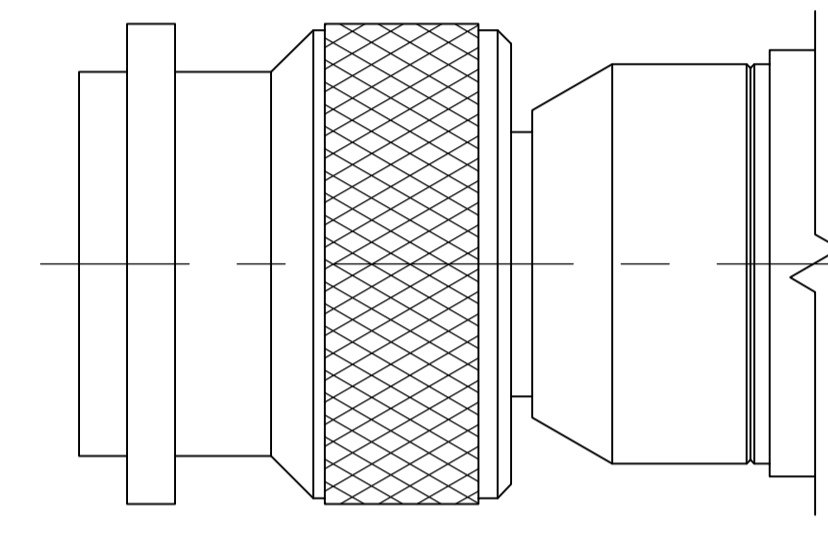
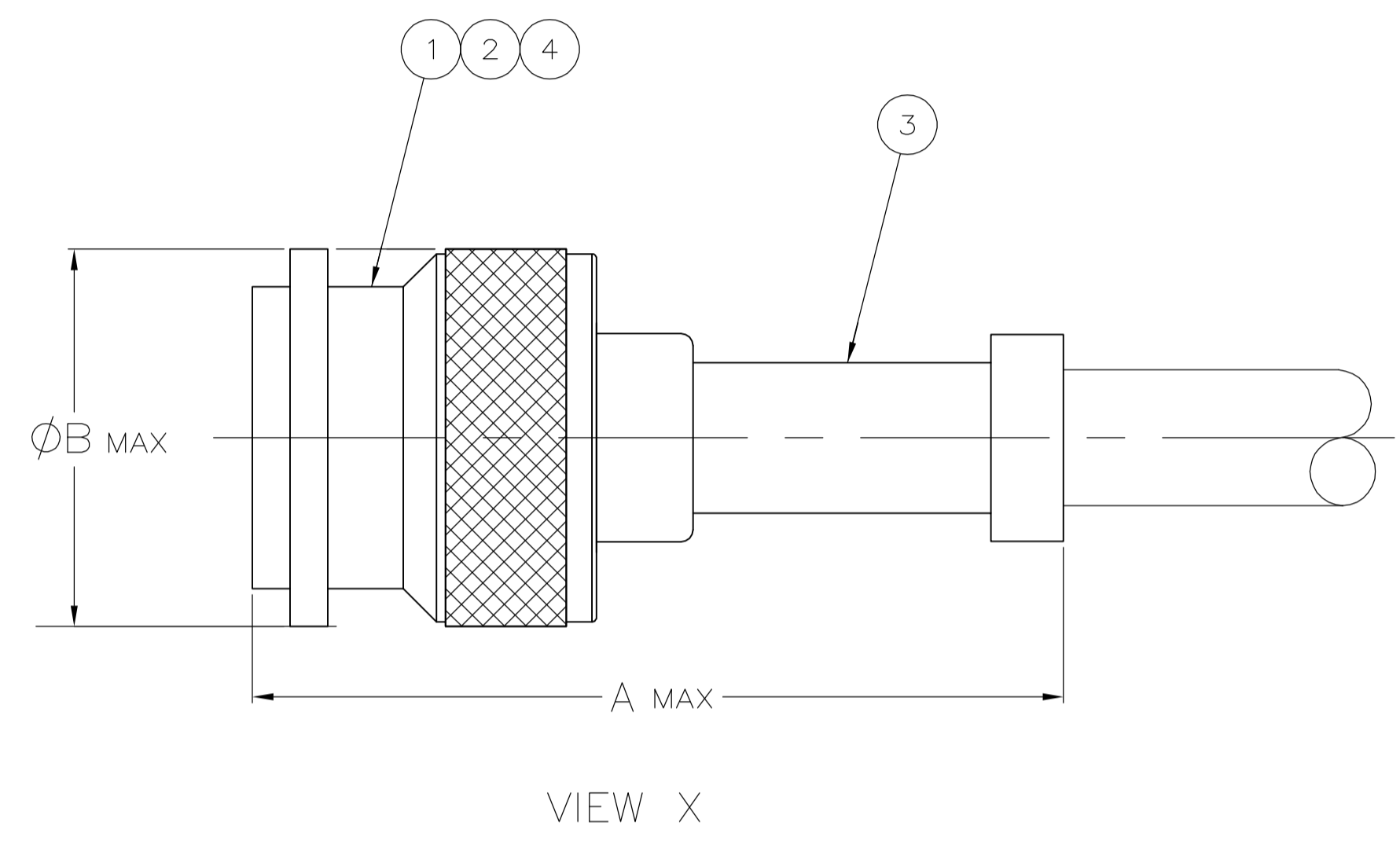


LOC		DIST		REVISIONS				
DF	XO	REV	PER	ECO	DESCRIPTION	DATE	DWN	APVD
B					REV PER ECO 06-14894	6-23-06	CT	BM

1. USE INSTRUCTION SHEET 408-2299-1



RECOMMENDED STRIP LENGTH

RG-393/U	2	1-5225550-3 TYCO	220015-1	-	12.70 [.500]	16.26 [.640]	50.67 [1.995]	332022	1883172-1	225526-2	1883539-1	Y	1-5225550-3
RG-225/U	2	1-5225550-2 TYCO	220015-1	-	12.70 [.500]	16.26 [.640]	50.80 [2.000]	332022	1883158-1	225526-2	1883160-1	Y	1-5225550-2
CABLE SIZE	FIG	STAMPING	CRIMP TOOL	D	C	B	A	④ GASKET QTY=1	③ FERRULE QTY=1	② CONTACT QTY=1	① PLUG ASSY QTY=1	VIEW	PART NUMBER

THIS DRAWING IS A CONTROLLED DOCUMENT.

DIMENSIONS: mm [INCHES]	TOLERANCES UNLESS OTHERWISE SPECIFIED:	0 PLC ± -	1 PLC ± -	2 PLC ± -	3 PLC ± 0.41 [.016]	4 PLC ± -	ANGLES ± -	FINISH -
----------------------------	----------------------------------------	-----------	-----------	-----------	---------------------	-----------	------------	----------

DRW: B. MOYER	19DEC2005		Tyco Electronics Corporation Harrisburg, PA 17105-3608
CHK: C. THOMAS	21DEC2005		
APP'D: B. MOYER	19DEC2005	NAME:	PLUG, WEATHERPROOF, SERIES TNC
PRODUCT SPEC:	108-12001	APPLICATION SPEC:	
MATERIAL:		SIZE: A1	CAGE CODE: 00779
WEIGHT:		DRAWING NO: C=5225550	RESTRICTED TO:
CUSTOMER DRAWING		SCALE: 4:1	SHEET 1 OF 1

## X-ON Electronics

Largest Supplier of Electrical and Electronic Components

*Click to view similar products for [RF Connectors / Coaxial Connectors](#) category:*

*Click to view products by [TE Connectivity](#) manufacturer:*

Other Similar products are found below :

[R125315120](#) [8915-1511-000](#) [89674-0827](#) [5916-1103-603](#) [6-0001-3](#) [6001-7071-019](#) [6002-7051-003](#) [6002-7551-202](#) [6059674-1](#) [619550-1](#)  
[630059-000](#) [M39012/25-0021](#) [M39012/79-3008](#) [M39030/3-01N](#) [M39030/3-03N](#) [M3933/25-36N](#) [6500-7071-046](#) [M83723/72W24576](#)  
[M83723/72W2457N](#) [6769](#) [CX050L2AQ](#) [7002-1541-010](#) [7002-1572-002](#) [7003-1572-002](#) [7010-1511-000](#) [7029-1511-060](#) [7101-1541-010](#)  
[7101-1571-002](#) [7105-1521-002](#) [7145-1521-002](#) [7209-1511-011](#) [7210-1511-015](#) [7210-1511-019](#) [7225-1512-050](#) [7242-1511-000](#) [73137-5015](#)  
[73251-0111](#) [73251-0672](#) [7325-1512-000](#) [73276-1501](#) [73366-0013](#) [73404-2300](#) [73413-6080](#) [73415-5721](#) [7405-1521-005](#) [7405-1521-802](#)  
[7406-1521-005](#) [804S01D04M040](#) [8145-1521-002](#) [81590](#)