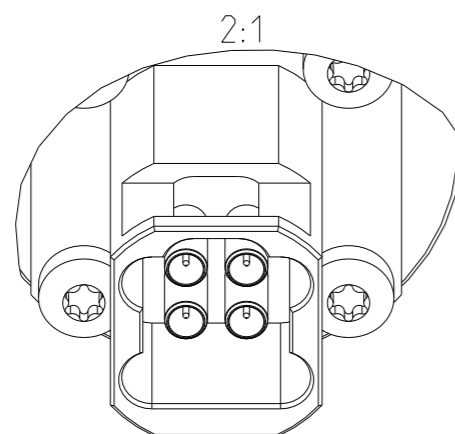
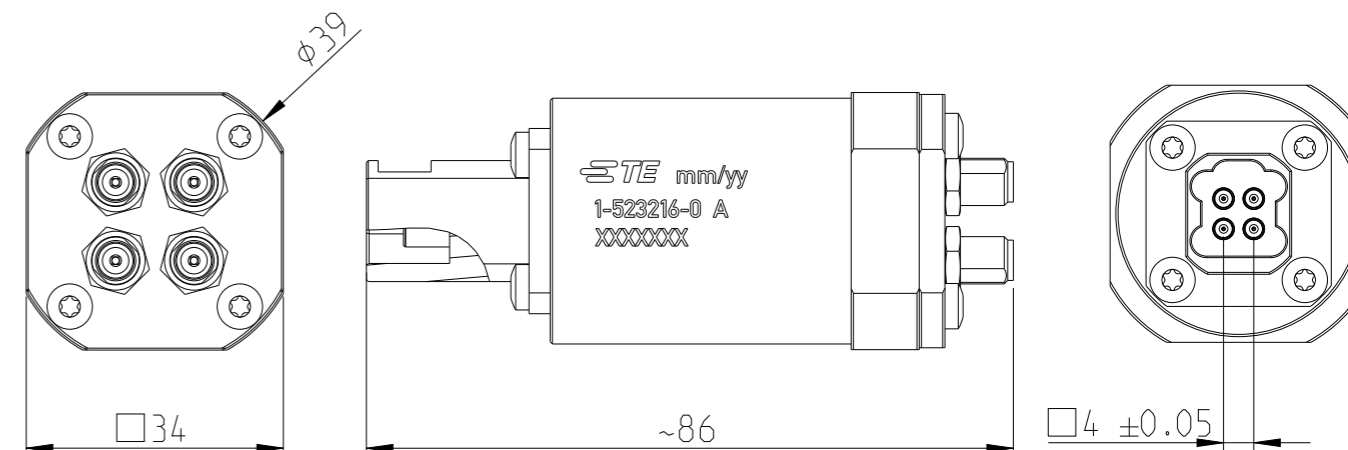



REVISIONS

P	LTR	DESCRIPTION	DATE	DWN	APVD
	A	INITIAL DRAWING	02FEB2018	BM	LB
	A1	ECR-21-005161	06MAY2021	BM	MP

Radio frequency characteristics	
Interface type	3.5mm Pin per IEC 60169-23 / MATE-AX plug
Frequency range	DC to 9GHz
Impedance	50Ω
Return loss, min.	30 dB @ DC to 1 GHz
-mated with adapter 1-523216-1	25 dB @ 1 to 2 GHz
-perfect axial alignment is mandatory	20 dB @ 2 to 9 GHz
-TDR gated (lowpass step)	
Mechanical characteristics	
Center conductor material / surface finish	CuBe age hardened / gold-plated
Outer conductor material / surface finish	copper alloy / gold plated
Insulation	PS, cross linked polystyrene
Other metallic parts / surface finish	aluminium / passivated copper alloy /nickel plated, silver-plated stainless steel
Marking	Logo, Rev., Order No., Prod. date, Serial no.
Recommended torque (3.5mm socket)	0.9NM ± 10%
Engagement force, approx.	22N
Disengagement force, approx.	18N
Matings, max.	500
Environmental conditions	
Storage	
Ambient temperature range	-40 to +70°C
Relative humidity	95% (non-condensing)
Scope of delivery and accessories and Application	
Scope of delivery	Adapter and Datasheet packed in a box
Application	MATE-AX, 4 pos. Socket Hsg. 2298721, 2310886



TE Order No. 1-523216-0

THIS DRAWING IS A CONTROLLED DOCUMENT.		DWN	B. Muth	02FEB2018	 TE Connectivity	
DIMENSIONS:		CHK	L. Bauer	02FEB2018		
mm		APVD	L. Bauer	02FEB2018		
TOLERANCES UNLESS OTHERWISE SPECIFIED:		PRODUCT SPEC	-		NAME	MATE-AX, HF-ADAPTER, 4 POS PIN-RPC 3.50 SOCKET
0 PLC ±0.3		APPLICATION SPEC	-		SIZE	A3
1 PLC ±0.2		WEIGHT	~110g		CAGE CODE	00779
2 PLC ±		CUSTOMER DRAWING	-		DRAWING NO	1-523216-0
3 PLC ±		SCALE	1:1		SHEET	1 OF 1
4 PLC ±		RESTRICTED TO	-		REV	A1
ANGLES ±						
FINISH						
MATERIAL						
-						
-						

X-ON Electronics

Largest Supplier of Electrical and Electronic Components

Click to view similar products for [RF Adapters - In Series](#) category:

Click to view products by [TE Connectivity](#) manufacturer:

Other Similar products are found below :

[5916-1103-603](#) [5919-1503-000](#) [5919-9503-000](#) [651A505](#) [82-5552](#) [9030-9523-502](#) [PN2C](#) [A0407000](#) [R114703000W](#) [R125771001](#)
[R127871001](#) [R141710000W](#) [R141723161](#) [R141730000](#) [R143730700](#) [R143770000](#) [R161703000W](#) [R161753000W](#) [R161791530W](#)
[R201705000](#) [R222705200](#) [R222M40010W](#) [R222M40050](#) [R223703180](#) [R316754000](#) [R405006000](#) [R443162000](#) [AD78TL](#) [HRM-513S](#)
[1996352-2](#) [2157155-1](#) [252169-75](#) [AD158](#) [2101130-1](#) [252186](#) [R114704000W](#) [R114720000W](#) [R125705001](#) [R125705701](#) [R125771000](#)
[R125771001W](#) [R127704001](#) [R127.870.001](#) [R127872001](#) [R142710000](#) [R142723000](#) [R143703000](#) [R143704000](#) [R143705700](#) [R143710000](#)