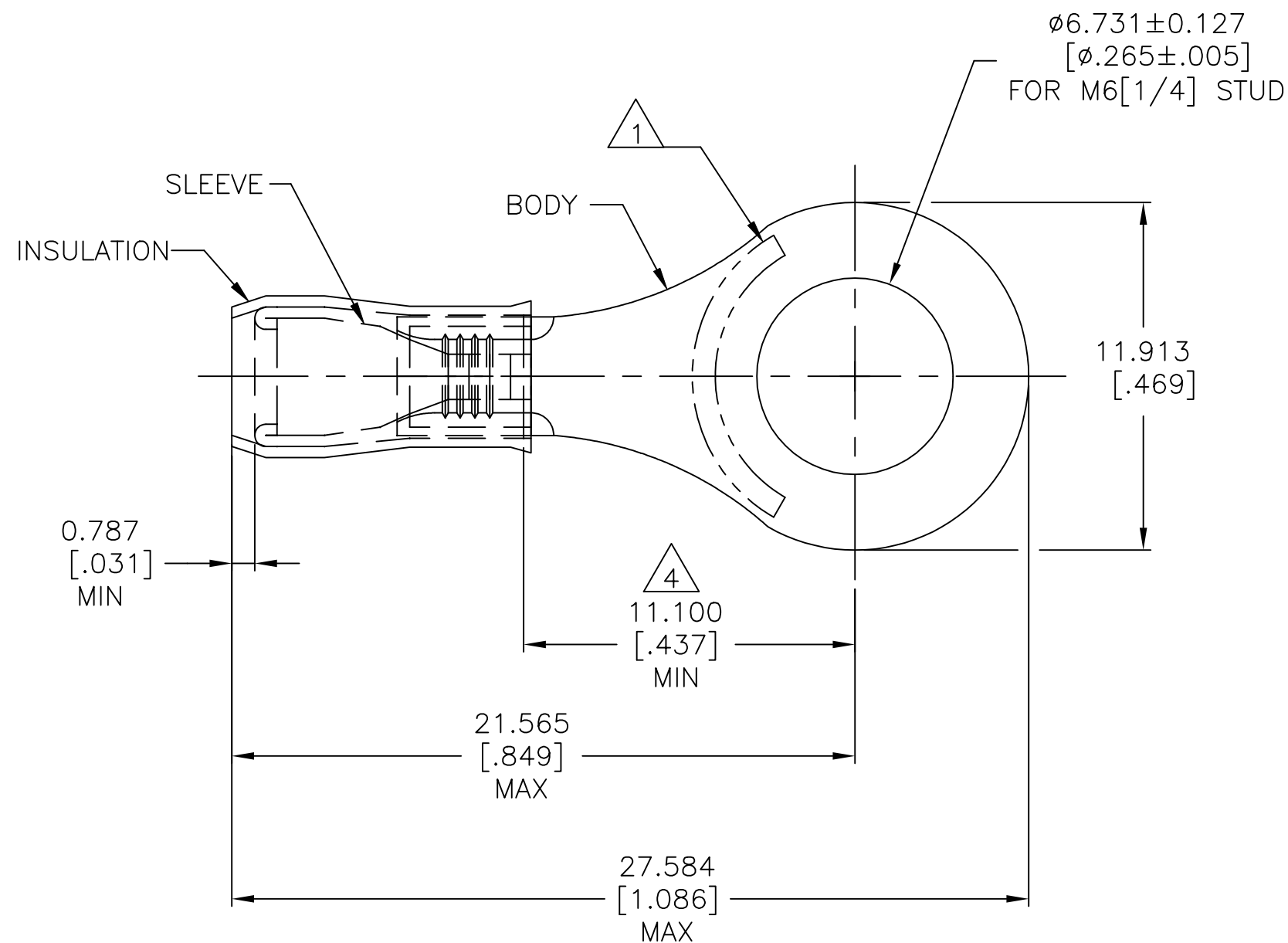


P	LTR	DESCRIPTION	DATE	DWN	APVD
	G1	REVISED PER ECO-11-025626	23DEC11	KH	DR
	H	REVISED PER ECO-17-013200	07MAY2018	RS	DR

AMP
WIRE RANGE

14-12 AWG
SOLID OR STRANDED



- 1 STAMP AMP 14-12, LOCATION AS SHOWN
- 2 WIRE INSULATION DIA RANGE IS $\phi 2.032 - \phi 3.175$ [$\phi 0.080 - \phi 0.125$]
- 3 BODY MATERIAL THK IS 0.762 ± 0.051 [0.030 ± 0.002]
- 4 APPLIES FROM CENTER OF STUD HOLE TO EDGE OF METAL WIRE BARREL
- 5 MATERIAL:
BODY & SLEEVE - COPPER PER ASTM B-152
INSULATION: NYLON
- 6 FINISH:
BODY & SLEEVE - TIN PLATE PER ASTM B-545
INSULATION: COLOR - WHITE
- 7 MAX RECOMMENDED OPERATING TEMP 105°C [221°F]
- 8 VOLTAGE RATING: 300 V MAX
- 9 WIRE CROSS SECTIONAL AREA RANGE:
 $1.65 - 3.45\text{mm}^2$ [3,260 - 6,800] CMA

1000	LOOSE PIECE	152871
QTY	PACKAGING TYPE	PART NO

THIS DRAWING IS A CONTROLLED DOCUMENT.		DWN jr_ruth 23AUG07	TE Connectivity Ltd.	
DIMENSIONS: mm [INCHES]		CHK T MICHELUTTI 23AUG07		
TOLERANCES UNLESS OTHERWISE SPECIFIED:		APVD T MICHELUTTI 23AUG07		
0 PLC ± - 1 PLC ± - 2 PLC ± - 3 PLC ± 0.127[.005] 4 PLC ± - ANGLES ± 5°		PRODUCT SPEC -		
MATERIAL		FINISH	APPLICATION SPEC 114-2157	NAME RING TONGUE, PIDG, WIRE SIZE: 14-12 AWG
5		6	WEIGHT	SIZE A3
			CUSTOMER DRAWING	CAGE CODE 00779
				DRAWING NO C=152871
				RESTRICTED TO -
				SCALE 5:1
				SHEET 1 OF 1
				REV H

X-ON Electronics

Largest Supplier of Electrical and Electronic Components

Click to view similar products for [Terminals](#) category:

Click to view products by [TE Connectivity](#) manufacturer:

Other Similar products are found below :

[00-054007-01074-6](#) [00-054007-70206-1](#) [00-054007-70210-8](#) [00-054007-70217-7](#) [00-054007-70226-9](#) [00-054007-70228-3](#) [00-054007-70248-1](#) [00-054007-70256-6](#) [00-054007-70301-3](#) [00-054007-70316-7](#) [0-0320562-0](#) [00-054007-49560-4](#) [00-054007-70209-2](#) [00-054007-70225-2](#) [00-054007-70227-6](#) [00-054007-70231-3](#) [00-054007-70241-2](#) [00-054007-70242-9](#) [00-054007-70244-3](#) [00-054007-70246-7](#) [00-054007-70263-4](#) [00-054007-70288-7](#) [00-054007-70290-0](#) [00-054007-70300-6](#) [00-054007-70304-4](#) [01-2065-1-0216](#) [01-2900-1-04412](#) [00581P0075](#) [600TS-10](#) [60205-1](#) [604200-1](#) [605601-1](#) [60598-1-CUT-TAPE](#) [61314-6-C](#) [61810-3](#) [61-S](#) [61-SN](#) [626-0194](#) [62-NBM-A](#) [62-SN](#) [62-SP](#) [63-S](#) [640179-1](#) [M55155/059I03](#) [M55155/079C01](#) [M55155/099H02](#) [M55155/109H01](#) [M55155/109H02](#) [M55155/12XH05](#) [M55155/16XH02](#)