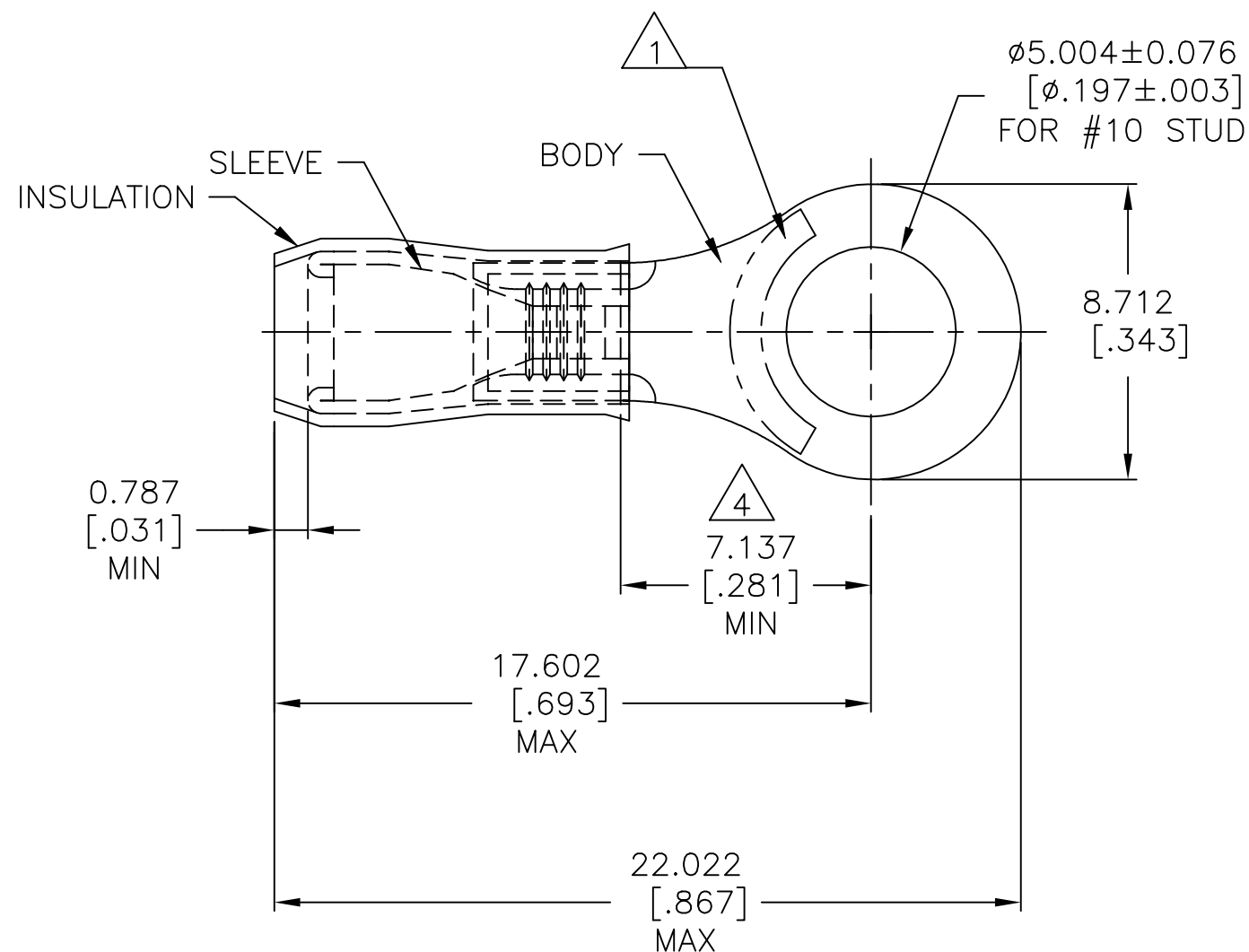


| P | LTR | DESCRIPTION               | DATE      | DWN | APVD |
|---|-----|---------------------------|-----------|-----|------|
|   | G   | REV PER ECR 09-025674     | 30NOV09   | JR  | TM   |
|   | H   | REVISED PER ECO-17-013200 | 07MAY2018 | RS  | DR   |

**AMP**  
WIRE RANGE

14-12 AWG  
SOLID OR STRANDED



- 1 STAMP AMP 14-12, LOCATION AS SHOWN.
- 2 WIRE INSULATION DIA RANGE IS  $\phi 2.032 - \phi 3.175 [\phi .080 - \phi .125]$
- 3 BODY MATERIAL THK IS  $0.762 \pm 0.051 [.030 \pm .002]$
- 4 APPLIES FROM CENTER OF STUD HOLE TO EDGE OF METAL WIRE BARREL
- 5 MATERIAL: BODY & SLEEVE - COPPER PER ASTM B-152  
INSULATION: NYLON
- 6 FINISH: BODY & SLEEVE - TIN PLATE PER ASTM B-545  
INSULATION: COLOR - WHITE
- 7 MAX RECOMMENDED OPERATING TEMP  $105^{\circ}\text{C} [221^{\circ}\text{F}]$
- 8 VOLTAGE RATING: 300 V MAX
- 9 WIRE CROSS SECTIONAL AREA RANGE:  
 $1.65 - 3.45\text{mm}^2 [ 3,260 - 6,800 ] \text{ CMA}$

|      |                |         |
|------|----------------|---------|
| 1000 | LOOSE PIECE    | 152872  |
| QTY  | PACKAGING TYPE | PART NO |

|  |                |                                 |                                 |               |     |       |     |       |                |       |     |        |      |              |  |  |
|--|----------------|---------------------------------|---------------------------------|---------------|-----|-------|-----|-------|----------------|-------|-----|--------|------|--------------|--|--|
| THIS DRAWING IS A CONTROLLED DOCUMENT.   |                | DWN<br>jr_ruth<br>23AUG07       | <b>STE</b> TE Connectivity Ltd. |               |     |       |     |       |                |       |     |        |      |              |  |  |
| DIMENSIONS:<br>mm [INCHES]   |                | CHK<br>T MICHELUTTI<br>23AUG07  |                                 |               |     |       |     |       |                |       |     |        |      |              |  |  |
| TOLERANCES UNLESS OTHERWISE SPECIFIED:   |                | APVD<br>T MICHELUTTI<br>23AUG07 | NAME                            |               |     |       |     |       |                |       |     |        |      |              |  |  |
| <table border="0"> <tr><td>0 PLC</td><td>± -</td></tr> <tr><td>1 PLC</td><td>± -</td></tr> <tr><td>2 PLC</td><td>± -</td></tr> <tr><td>3 PLC</td><td>± 0.127 [.005]</td></tr> <tr><td>4 PLC</td><td>± -</td></tr> <tr><td>ANGLES</td><td>± 5°</td></tr> </table> |                | 0 PLC                           | ± -                             | 1 PLC         | ± - | 2 PLC | ± - | 3 PLC | ± 0.127 [.005] | 4 PLC | ± - | ANGLES | ± 5° | PRODUCT SPEC | RING TONGUE, PIDG,<br>WIRE SIZE: 14-12 AWG |  |
| 0 PLC  | ± -            |                                 |                                 |               |     |       |     |       |                |       |     |        |      |              |  |  |
| 1 PLC  | ± -            |                                 |                                 |               |     |       |     |       |                |       |     |        |      |              |  |  |
| 2 PLC  | ± -            |                                 |                                 |               |     |       |     |       |                |       |     |        |      |              |  |  |
| 3 PLC  | ± 0.127 [.005] |                                 |                                 |               |     |       |     |       |                |       |     |        |      |              |  |  |
| 4 PLC  | ± -            |                                 |                                 |               |     |       |     |       |                |       |     |        |      |              |  |  |
| ANGLES   | ± 5°           |                                 |                                 |               |     |       |     |       |                |       |     |        |      |              |  |  |
| MATERIAL   |                | APPLICATION SPEC                | SIZE                            | CAGE CODE     |     |       |     |       |                |       |     |        |      |              |  |  |
| 5  |                | 6                               | 114-2157                        | 00779         |     |       |     |       |                |       |     |        |      |              |  |  |
|  |                | FINISH                          | DRAWING NO                      | RESTRICTED TO |     |       |     |       |                |       |     |        |      |              |  |  |
|  |                |                                 | C=152872                        | -             |     |       |     |       |                |       |     |        |      |              |  |  |
| CUSTOMER DRAWING   |                |                                 | SCALE                           | SHEET         |     |       |     |       |                |       |     |        |      |              |  |  |
|  |                |                                 | 5:1                             | 1 OF 1        |     |       |     |       |                |       |     |        |      |              |  |  |
|  |                |                                 | REV                             | H             |     |       |     |       |                |       |     |        |      |              |  |  |

## X-ON Electronics

Largest Supplier of Electrical and Electronic Components

*Click to view similar products for [Terminals](#) category:*

*Click to view products by [TE Connectivity](#) manufacturer:*

Other Similar products are found below :

[00-054007-01074-6](#) [00-054007-70206-1](#) [00-054007-70210-8](#) [00-054007-70217-7](#) [00-054007-70226-9](#) [00-054007-70228-3](#) [00-054007-70248-1](#) [00-054007-70256-6](#) [00-054007-70301-3](#) [00-054007-70316-7](#) [0-0320562-0](#) [00-054007-49560-4](#) [00-054007-70209-2](#) [00-054007-70225-2](#) [00-054007-70227-6](#) [00-054007-70231-3](#) [00-054007-70241-2](#) [00-054007-70242-9](#) [00-054007-70244-3](#) [00-054007-70246-7](#) [00-054007-70263-4](#) [00-054007-70288-7](#) [00-054007-70290-0](#) [00-054007-70300-6](#) [00-054007-70304-4](#) [01-2065-1-0216](#) [01-2900-1-04412](#) [00581P0075](#) [600TS-10](#) [60205-1](#) [604200-1](#) [605601-1](#) [60598-1-CUT-TAPE](#) [61314-6-C](#) [61810-3](#) [61-S](#) [61-SN](#) [626-0194](#) [62-NBM-A](#) [62-SN](#) [62-SP](#) [63-S](#) [640179-1](#) [M55155/059I03](#) [M55155/079C01](#) [M55155/099H02](#) [M55155/109H01](#) [M55155/109H02](#) [M55155/12XH05](#) [M55155/16XH02](#)