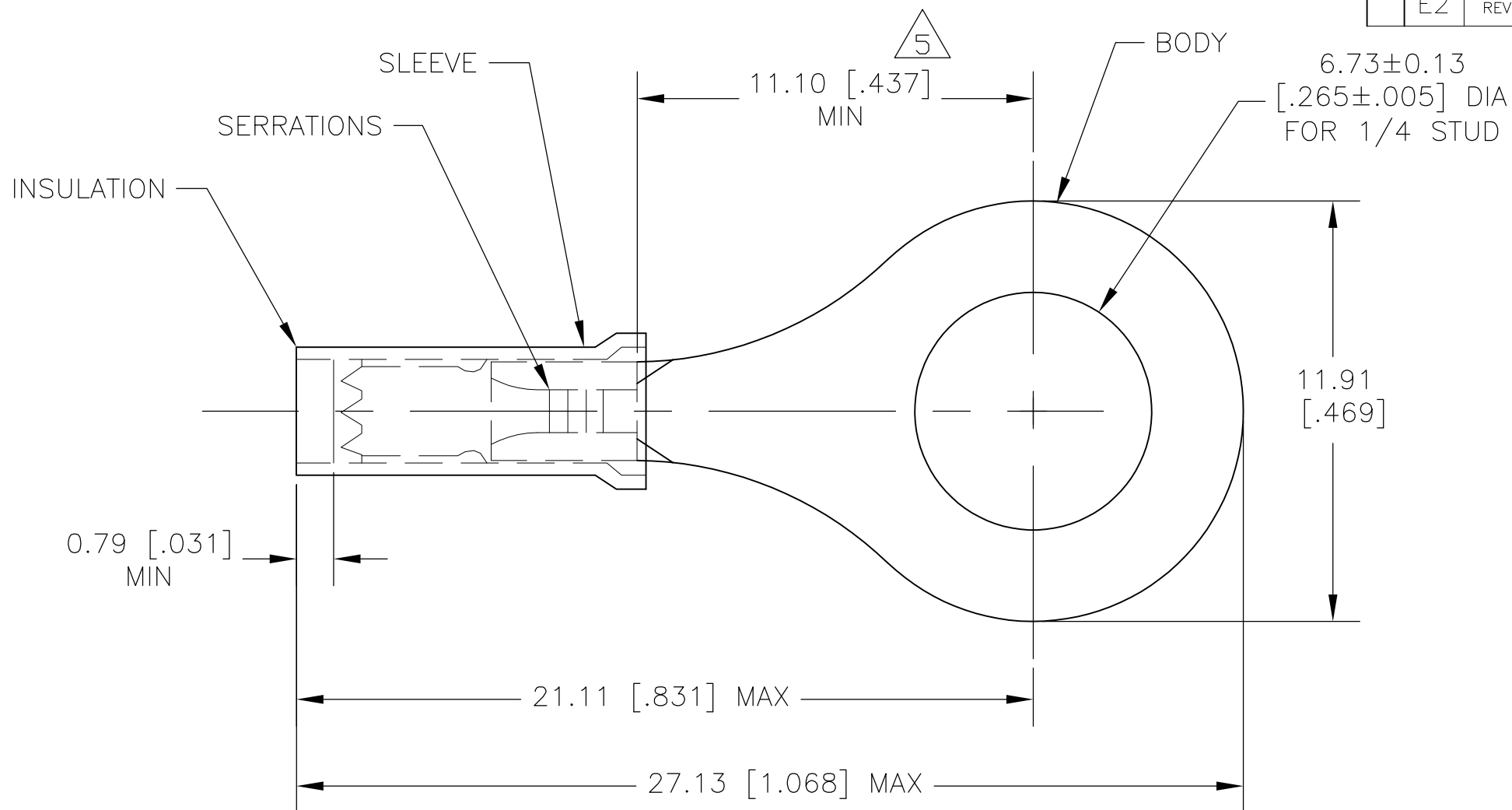


THIS DRAWING IS UNPUBLISHED. RELEASED FOR PUBLICATION
© COPYRIGHT BY TYCO ELECTRONICS CORPORATION. ALL RIGHTS RESERVED.

| LOC | DIST | REVISIONS | | | | | |
|-----|------|-----------|-----|---------------------------|---------|-----|------|
| G | 86 | P | LTR | DESCRIPTION | DATE | DWN | APVD |
| | | E2 | | REVISED PER ECR 10-000304 | 06JAN10 | JR | TM |



- 1 BODY - COPPER PER ASTM B152 ANNEALED
SLEEVE - COPPER PER ASTM B152
INSULATION - NYLON
- 2 BODY & SLEEVE - TIN PLATED
INSULATION - COLOR - PURPLE
- 3 FOR 1.14-2.03 [.045-.080] DIA
WIRE INSULATION
- 4 STAMP AMP 20, APPROX WHERE
SHOWN.
- 5 APPLIES FROM EDGE OF METAL
WIRE BARREL TO CENTERLINE
OF STUD HOLE.
- 6 0.41-0.65mm² [810-1,290] CMA
SOLID OR STRANDED

| | | |
|------|----------------|----------|
| 1000 | LOOSE PIECE | 152890 |
| QTY | PACKAGING TYPE | PART NO. |

| | | | | |
|--|--|---------------------------------|---|--------------------|
| THIS DRAWING IS A CONTROLLED DOCUMENT. | | DWN jr_ruth 06AUG07 | Tyco Electronics Corporation Harrisburg, PA 17105-3608 | |
| DIMENSIONS: MM [INCHES] | | CHK T MICHELUTTI 30AUG07 | NAME RING TONGUE, PIDG | |
| TOLERANCES UNLESS OTHERWISE SPECIFIED: | | APVD T MICHELUTTI 30AUG07 | PRODUCT SPEC - | |
| 0 PLC ± - | | APPLICATION SPEC - | SIZE A3 | CAGE CODE 00779 |
| 1 PLC ± - | | RESTRICTED TO - | DRAWING NO C-152890 | SCALE 6:1 |
| 2 PLC ± - | | WEIGHT - | SHEET 1 OF 1 | REV E2 |
| 3 PLC ± 0.38 [.015] | | CUSTOMER DRAWING | | |
| 4 PLC ± - | | SCALE 6:1 SHEET 1 OF 1 REV E2 | | |
| ANGLES ± 5° | | | | |
| MATERIAL - 1 | | | | |
| FINISH - 2 | | | | |

X-ON Electronics

Largest Supplier of Electrical and Electronic Components

Click to view similar products for [Terminals](#) category:

Click to view products by [TE Connectivity](#) manufacturer:

Other Similar products are found below :

[00-054007-01074-6](#) [00-054007-70206-1](#) [00-054007-70210-8](#) [00-054007-70217-7](#) [00-054007-70226-9](#) [00-054007-70228-3](#) [00-054007-70248-1](#) [00-054007-70256-6](#) [00-054007-70301-3](#) [00-054007-70316-7](#) [0-0320562-0](#) [00-054007-49560-4](#) [00-054007-70209-2](#) [00-054007-70225-2](#) [00-054007-70227-6](#) [00-054007-70231-3](#) [00-054007-70241-2](#) [00-054007-70242-9](#) [00-054007-70244-3](#) [00-054007-70246-7](#) [00-054007-70263-4](#) [00-054007-70288-7](#) [00-054007-70290-0](#) [00-054007-70300-6](#) [00-054007-70304-4](#) [01-2065-1-0216](#) [01-2900-1-04412](#) [00581P0075](#) [600TS-10](#) [60205-1](#) [604200-1](#) [605601-1](#) [60598-1-CUT-TAPE](#) [61314-6-C](#) [61810-3](#) [61-S](#) [61-SN](#) [626-0194](#) [62-NBM-A](#) [62-SN](#) [62-SP](#) [63-S](#) [640179-1](#) [M55155/059I03](#) [M55155/079C01](#) [M55155/099H02](#) [M55155/109H01](#) [M55155/109H02](#) [M55155/12XH05](#) [M55155/16XH02](#)