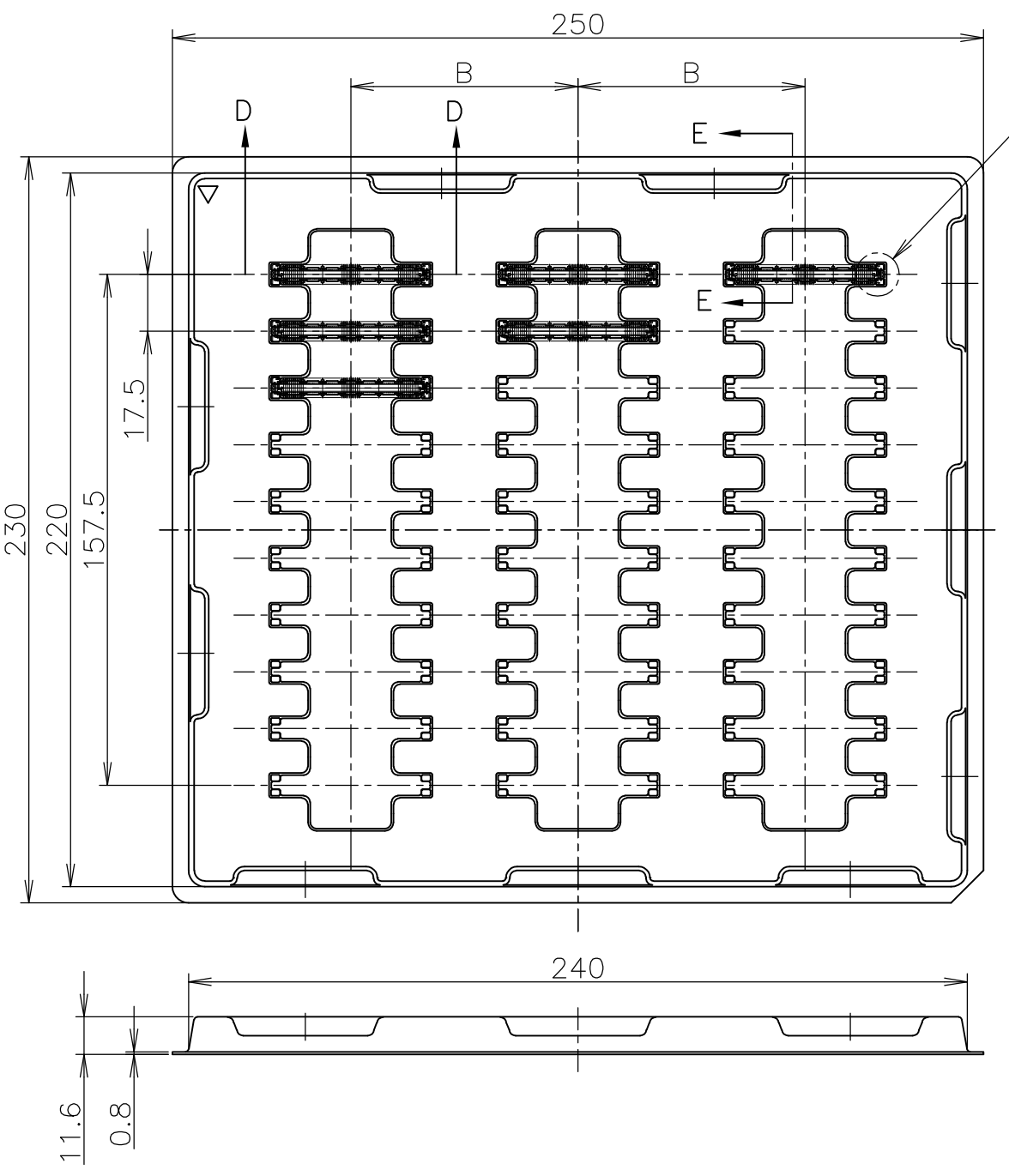


THIS DRAWING IS UNPUBLISHED. RELEASED FOR PUBLICATION MAY, 1995.
 © COPYRIGHT 1995 BY TYCO ELECTRONICS CORPORATION. ALL RIGHTS RESERVED.

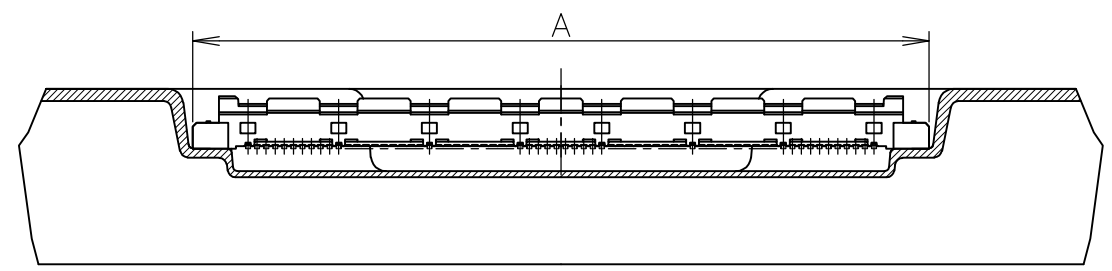
LOC	DIST	REVISIONS					
J		P	LTR	DESCRIPTION	DATE	DWN	APVD
			A	REVISED ECR-08-000339	01FEB08	T.T	T.F
			B	REVISED PER ECO-17-002393	27MAY17	B.J	S.Y

AS SHOWN: TYPE-1

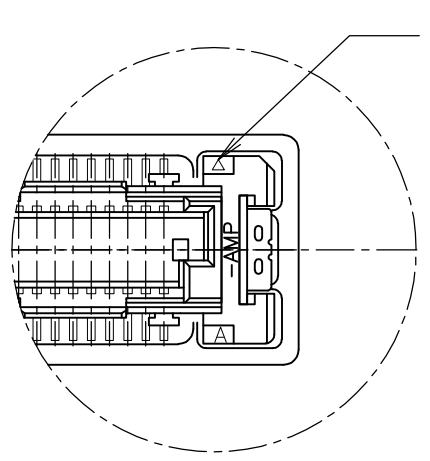
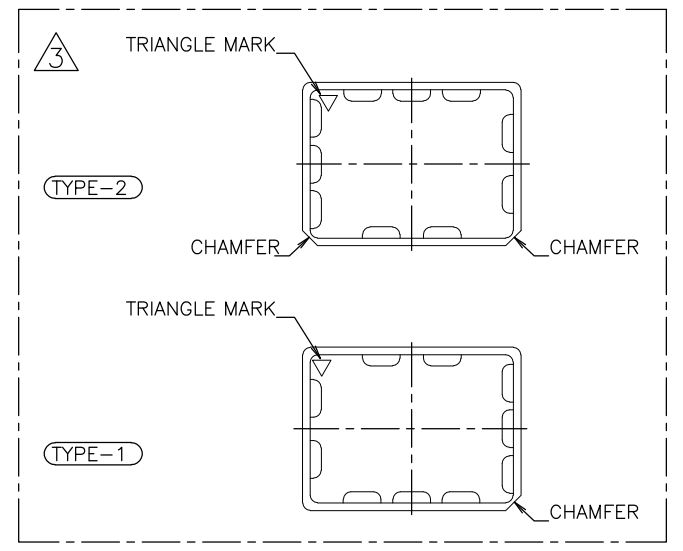


DETAIL C

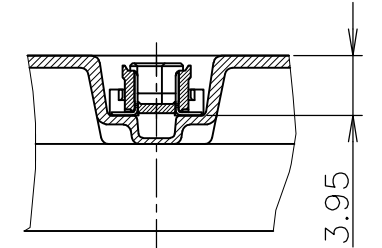
⚠ TRAY TYPE-1 AND TYPE-2 MUST BE
 PILED UP BY TURNS.
 (REFER TO PACKING SPECIFICATIONS)



D-D
(SCALE 2:1)



POSITION NO.1



E-E
(SCALE 2:1)

DETAIL C
(SCALE 4:1)

SEALANT	TOOLING STATUS	ROW	QTY	B	A	POS.	TRAY P/N	PART NO.
↑	NOT AVAILABLE	3	30	70	54.7	160	912063-9	6-5316135-1
↑	↑	↑	↑	↑	48.7	140	912063-8	6- - -0
↑	↑	↑	↑	↑	42.7	120	4-912065-9	5- - -9
↑	↑	↑	↑	↑	36.7	100	8-912066-2	5- - -8
↑	↑	↑	↑	↑	33.7	90	9-912066-6	5- - -7
↑	↑	↑	↑	↑	30.7	80	912067-3	5- - -6
↑	↑	↑	↑	↑	27.7	70	912063-1	5- - -5
↑	↑	↑	↑	↑	24.7	60	9-912066-5	5- - -4
↑	↑	↑	↑	↑	21.7	50	9-912062-9	5- - -3
↑	↑	↑	↑	↑	18.7	40	9-912066-4	5- - -2
↓	NOT AVAILABLE	5	50	43	15.7	30	9-912066-3	5-5316135-1
↓	AVAILABLE	3	30	70	54.7	160	912063-9	1-5316135-1
↓	AVAILABLE	↑	↑	↑	48.7	140	912063-8	1- - -0
↓	NOT AVAILABLE	↑	↑	↑	42.7	120	4-912065-9	- - -9
↓	↑	↓	↓	↓	36.7	100	8-912066-2	- - -8
↓	↑	3	30	70	33.7	90	9-912066-6	- - -7
↓	NOT AVAILABLE	5	50	43	30.7	80	912067-3	- - -6
↓	AVAILABLE	↑	↑	↑	27.7	70	912063-1	- - -5
↓	NOT AVAILABLE	↑	↑	↑	24.7	60	9-912066-5	- - -4
↓	AVAILABLE	↓	↓	↓	21.7	50	9-912062-9	- - -3
↓	NOT AVAILABLE	↓	↓	↓	18.7	40	9-912066-4	- - -2
↓	NOT AVAILABLE	5	50	43	15.7	30	9-912066-3	5316135-1

THIS DRAWING IS A CONTROLLED DOCUMENT.

DWN HAWKING HE 21DEC04	Tyco Electronics Corporation Kawasaki, Japan
CHK STEVEN YAO 21DEC04	
APVD I.ENOMOTO 21DEC04	NAME 名称
PRODUCT SPEC 製品規格 108-60047	SOFT TRAY ASSY FH 0.6BTB CONNECTOR PLUG 4H STD
APPLICATION SPEC 取付適用規格 114-5255	SIZE A3
MATERIAL 材料	CAGE CODE 00779
FINISH 仕上	DRAWING NO 番号 G-5316135
WEIGHT	RESTRICTED TO

CUSTOMER DRAWING SCALE 1:2 SHEET 1 OF 2 REV B

X-ON Electronics

Largest Supplier of Electrical and Electronic Components

Click to view similar products for [Board to Board & Mezzanine Connectors](#) category:

Click to view products by [TE Connectivity](#) manufacturer:

Other Similar products are found below :

[10135583-642402LF](#) [89885-310LF](#) [589158040000018](#) [6-1393048-0](#) [68683-613](#) [MDF7-12DP-2.54DSA](#) [MDF7-18P-2.54DSA\(01\)](#) [MDF7-20DP-2.54DSA](#) [MDF7-26D-2.54DSA\(55\)](#) [MDF7-3P-2.54DSA\(01\)](#) [MDF7B-20P-2.54DSA\(01\)](#) [MDF7B-3P-2.54DSA\(55\)](#) [MDF7C-18P-2.54DSA\(55\)](#) [MDF7P-5P-2.54DSA\(55\)](#) [75234-0516](#) [FCN-230C068-11](#) [FCN-268F012-G/BD](#) [FCN-268F036-G/BD](#) [FCN-268M012-G/0D](#) [FCN-268M024-G/1D](#) [FCN-360C008-C](#) [FCN-723J004/1](#) [MIS-048-01-F-D-DP-K](#) [832-10-034-10-001000](#) [93696-325LF](#) [11828-1FA](#) [AXK630345P](#) [18097-0013](#) [2007042-2](#) [304400-2](#) [FCN-214Q030-G/0](#) [FCN-215Q040-G/0](#) [FCN-230C068-ESA](#) [FCN-234P048-G/0](#) [FCN-235D050-G/C](#) [FCN-360A3](#) [FCN-360C040-B](#) [210-93-314-41-105000](#) [2-22603-0](#) [379-064-521-202](#) [MDF7-12P-2.54DSA\(01\)](#) [MDF7-16P-2.54DS\(56\)](#) [MDF7-16P-2.54DSA\(55\)](#) [MDF7-40DP-2.54DSA\(55\)](#) [MDF7-8P-2.54DSA\(55\)](#) [AXG720047](#) [5031084030](#) [55323-1519](#) [DF33-2P-3.3DSA\(24\)](#) [DF33-2S-3.3C](#)