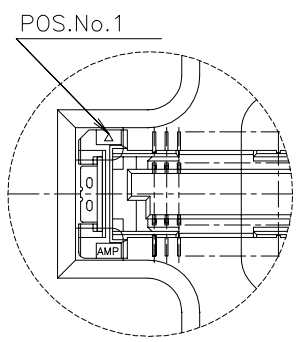
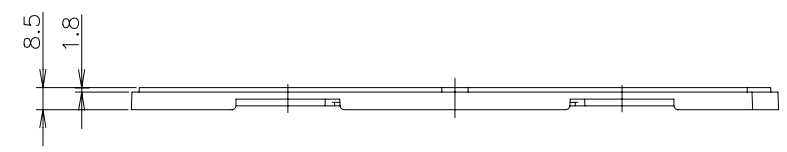
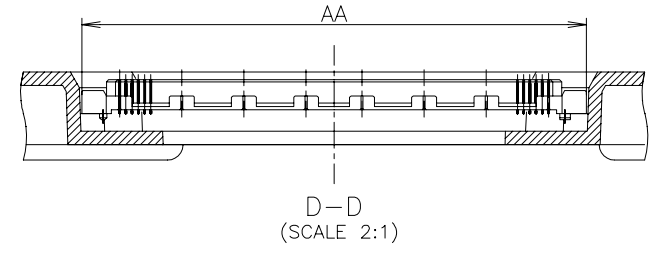
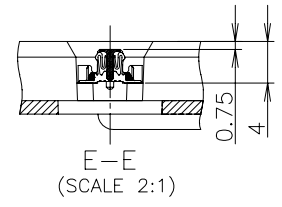
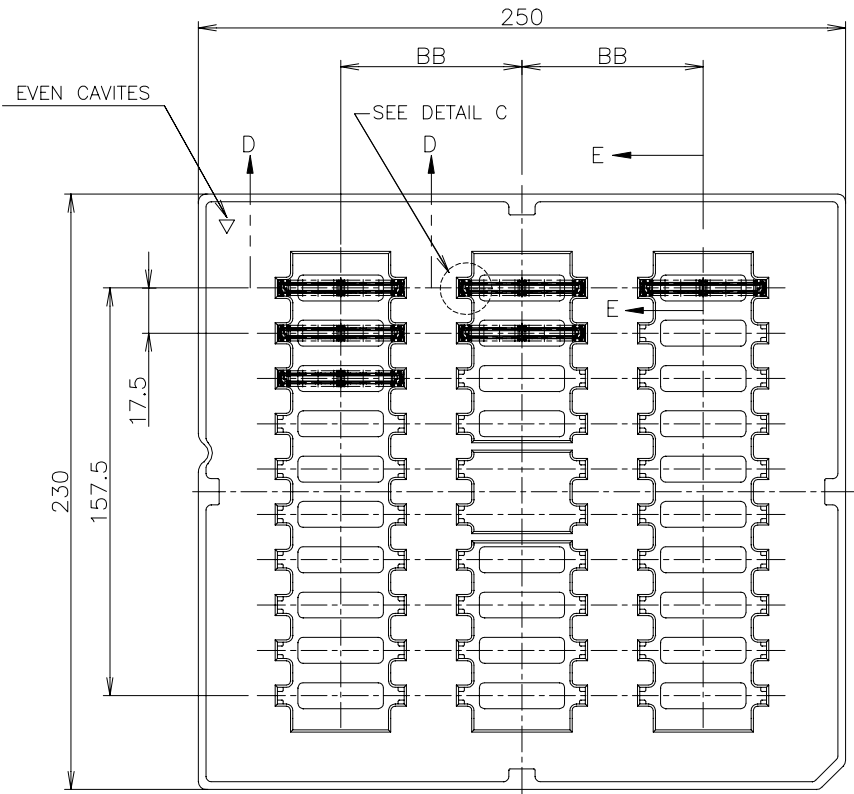


REVISIONS

P	LTR	DESCRIPTION	DATE	DWN	APVD
B		ECO-20-017853: G-CONTACT TAIL GOLD FLASH	18DEC2020	A.L	H.L



DETAIL C (SCALE 4:1)

SEALANT	AVAILABLE	3	30	70	54.7	160	1-5316560-1
	AVAILABLE	↑	↑	↑	48.7	140	1- -0
	NOT AVAILABLE	↓	↓	↓	42.7	120	-9
	NOT AVAILABLE	↓	↓	↓	36.7	100	-8
	NOT AVAILABLE	3	30	70	33.7	90	-7
	AVAILABLE	5	50	43	30.7	80	-6
	NOT AVAILABLE	↑	↑	↑	27.7	70	-5
					24.7	60	-4
					21.7	50	-3
					18.7	40	-2
	NOT AVAILABLE	5	50	43	15.7	30	5316560-1
SEALANT	TOOLING STATUS	ROW	QTY	BB	AA	POS.	PART NO.

THIS DRAWING IS A CONTROLLED DOCUMENT.

DWN LEO ZHOU 17NOV04	CHK STEVEN YAO 17NOV04	APVD I.ENOMOTO 17NOV04	NAME I.ENOMOTO
DIMENSIONS: 單位: 耗 mm		TOLERANCES UNLESS OTHERWISE SPECIFIED: 一般公差	
0 PLC ± -		PRODUCT SPEC 製品規格 108-60047	
1 PLC ± -		APPLICATION SPEC 取付適用規格 114-5255	
2 PLC ± -		SIZE A3	CAGE CODE 00779
3 PLC ± -		DRAWING NO C=5316560	
4 PLC ± -		RESTRICTED TO	
ANGLES ± -		WEIGHT	
MATERIAL 材料	FINISH 仕上	CUSTOMER DRAWING	

GENERAL TOLERANCE
一般公差

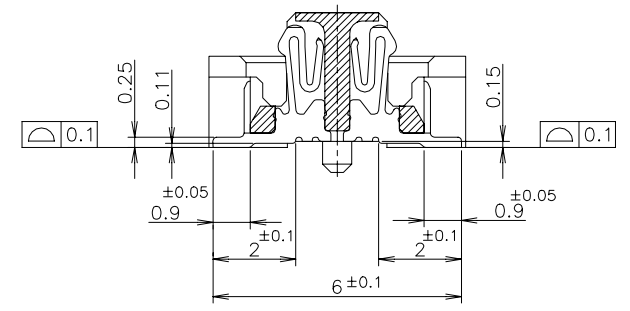
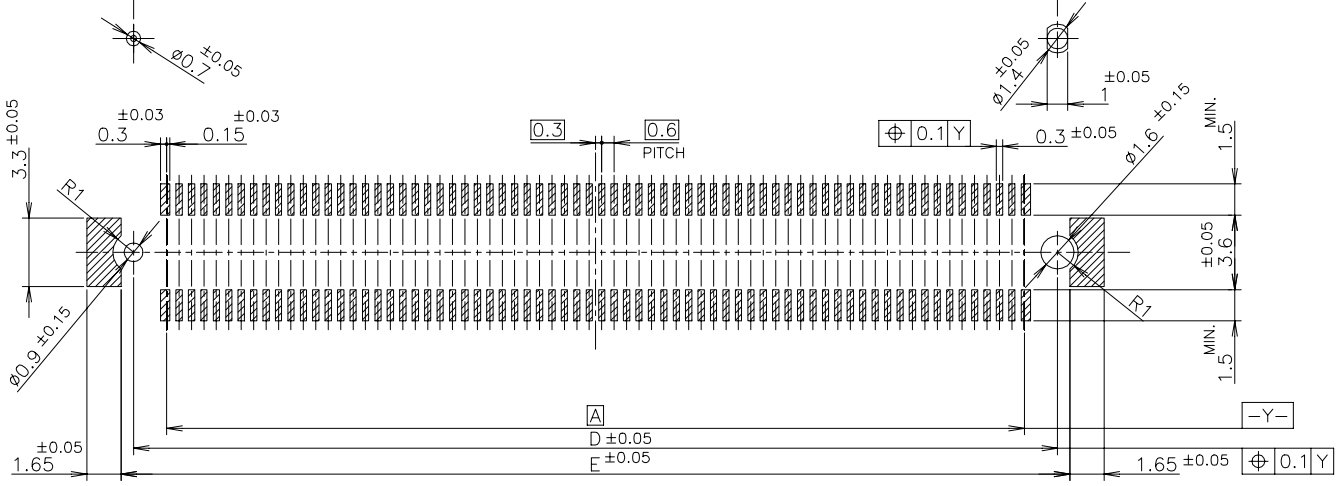
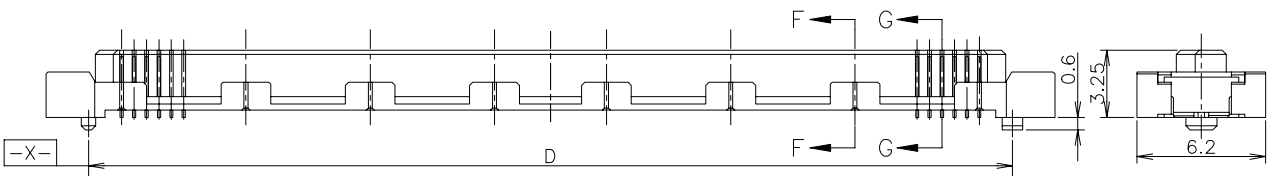
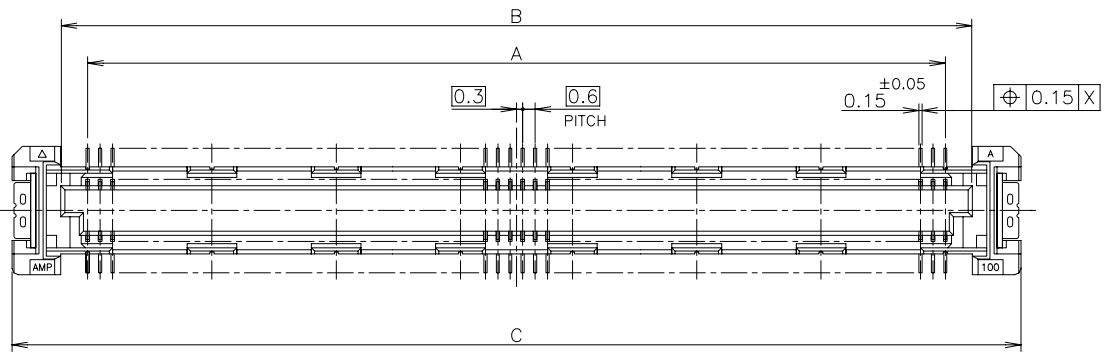
10 ≥	±0.2
30 ≥	>10: ±0.25
100 ≥	>30: ±0.3

ANGLES: ±3°

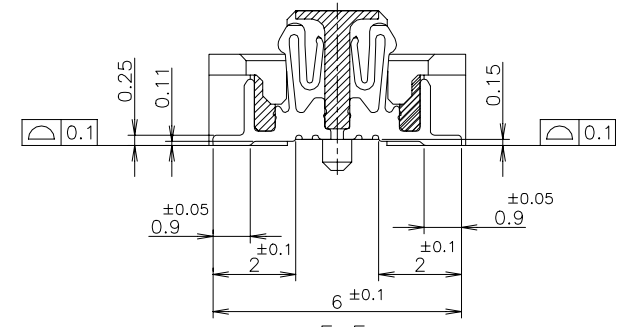


HARD TRAY ASSY
FH 0.6BTB CONNECTOR
REC 4H W/G-CONT

P	LTR	DESCRIPTION	DATE	DWN	APVD
-	-	SEE SHEET 1	-	-	-



G-G
(SIGNAL POSITION)
(SCALE 8:1)



F-F
(GROUND POSITION)
(SCALE 8:1)

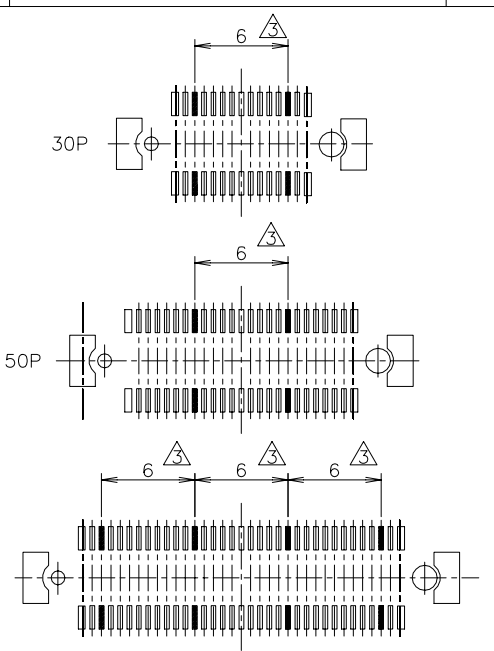
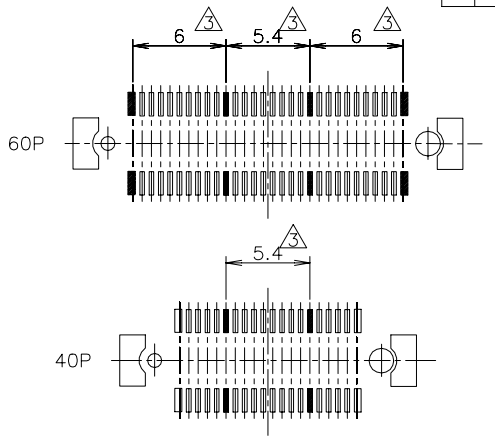
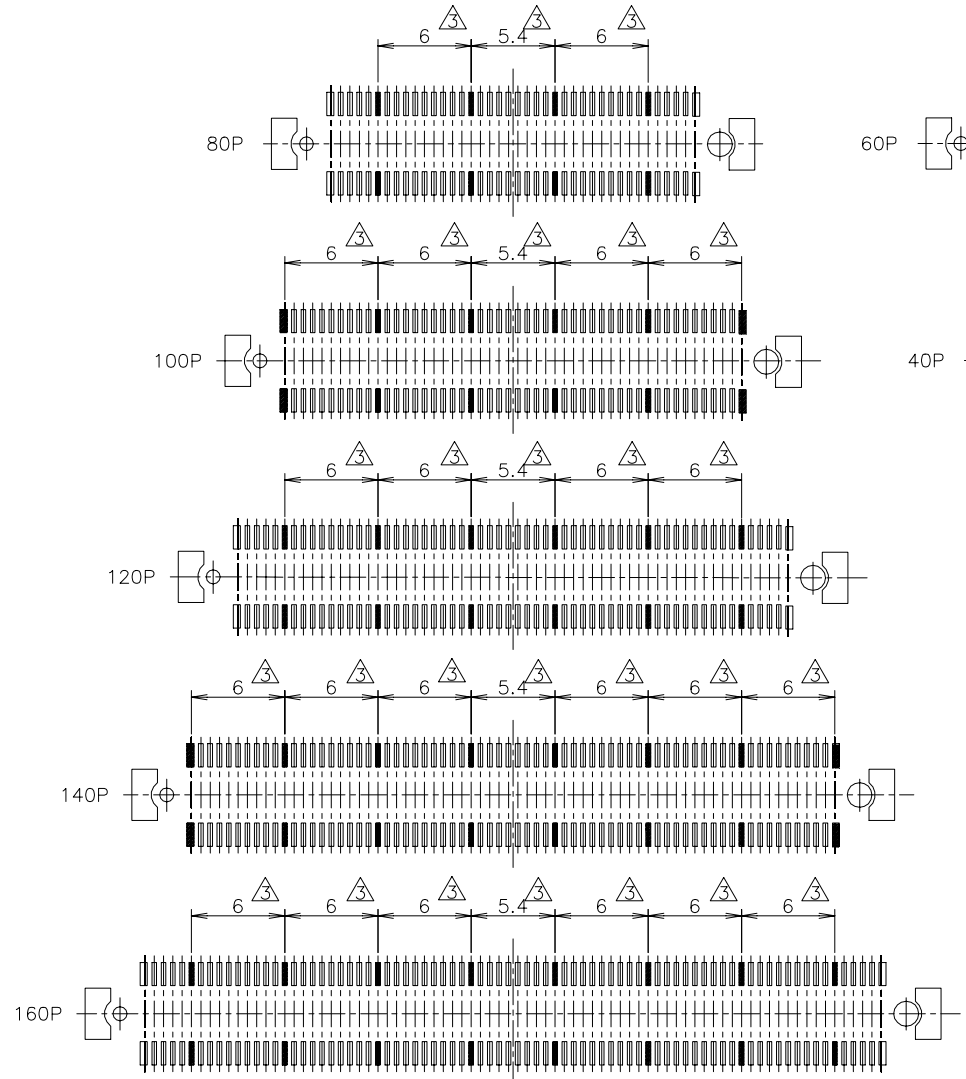
AVAILABLE	51.8	50.6	54.7	50	47.4	160	1-5316560-1
AVAILABLE	45.8	44.6	48.7	44	41.4	140	1-5316560-0
NOT AVAILABLE	39.8	38.6	42.7	38	35.4	120	-9
AVAILABLE	33.8	32.6	36.7	32	29.4	100	-8
NOT AVAILABLE	30.8	29.6	33.7	29	26.4	90	-7
AVAILABLE	27.8	26.6	30.7	26	23.4	80	-6
	24.8	23.6	27.7	23	20.4	70	-5
	21.8	20.6	24.7	20	17.4	60	-4
	18.8	17.6	21.7	17	14.4	50	-3
AVAILABLE	15.8	14.6	18.7	14	11.4	40	-2
NOT AVAILABLE	12.8	11.6	15.7	11	8.4	30	5316560-1
TOOLING STATUS	E	D	C	B	A	POS	△ PART NO.

REFERENCE P.C. BOARD LAYOUT

THIS DRAWING IS A CONTROLLED DOCUMENT.

DIMENSIONS: 單位: 耗 mm	TOLERANCES UNLESS OTHERWISE SPECIFIED: 一般公差	DWN	TE Connectivity Ltd. HARD TRAY ASSY FH 0.6BTB CONNECTOR REC 4H W/G-CONT
	0 PLC ± 0.3 1 PLC ± 0.3 2 PLC ± 0.3 3 PLC ± 0.3 4 PLC ± 0.3 ANGLES ± 3°	CHK	
MATERIAL 材料	FINISH 仕上	APVD	
		PRODUCT SPEC 製品規格 APPLICATION SPEC 取付適用規格	
		WEIGHT	NAME 名称
		CUSTOMER DRAWING	SIZE CAGE CODE DRAWING NO A3 00779 G=5316560
		SCALE 尺度 4:1	RESTRICTED TO
		SHEET 2 of 3	REV B

REVISIONS					
変更					
P	LTR	DESCRIPTION	DATE	DWN	APVD
-	-	SEE SHEET 1	-	-	-



- △1 MATERIAL ; HOUSING : HIGH TEMP THERMO PLASTIC
UL94V-0
- △2 FINISH ; UNDER PL Ni 0.0013mm MIN ALL OVER.
CONTACT : COPPER ALLOY
CONTACT AREA 0.0002 MIN Au PL.
SOLDERING AREA: SIGNAL POS 0.00005 MIN Au PL.
GROUND POS 0.00005 MIN Au PL.
- △3 THIS POSITION IS GROUND CIRCUIT.
- △4 PACKING SEE SHEET 1.

THIS DRAWING IS A CONTROLLED DOCUMENT.		DWN	TE TE Connectivity Ltd.	
		CHK		
DIMENSIONS: 單位: 耗 mm	TOLERANCES UNLESS OTHERWISE SPECIFIED: 一般公差	APVD	NAME 名稱	
	0 PLC ± 0.3	PRODUCT SPEC 製品規格	HARD TRAY ASSY	
	1 PLC ± 0.3	APPLICATION SPEC 取付適用規格	FH 0.6BTB CONNECTOR	
MATERIAL 材料	2 PLC ± 0.3	WEIGHT	SIZE	CAGE CODE
	3 PLC ± 0.3	CUSTOMER DRAWING	A3	00779
4 PLC ± 0.3	DRAWING NO 番号		G=5316560	
ANGLES 仕上	± 3'	RESTRICTED TO	SCALE 尺度	SHEET
			3:1	3 OF 3
		REV	B	

X-ON Electronics

Largest Supplier of Electrical and Electronic Components

Click to view similar products for [Board to Board & Mezzanine Connectors](#) category:

Click to view products by [TE Connectivity](#) manufacturer:

Other Similar products are found below :

[589158040000018](#) [MDF7C-18P-2.54DSA\(55\)](#) [FCN-230C068-11](#) [FCN-268F012-G/BD](#) [FCN-268F036-G/BD](#) [FCN-268M012-G/0D](#) [FCN-268M024-G/1D](#) [FCN-723J004/1](#) [MIS-048-01-F-D-DP-K](#) [832-10-034-10-001000](#) [FX4C-80S-1.27DSA](#) [FCN-214Q030-G/0](#) [FCN-234P048-G/0](#) [FCN-235D050-G/C](#) [210-93-314-41-105000](#) [2-22603-0](#) [MDF7-40DP-2.54DSA\(55\)](#) [AXG720047](#) [5031084030](#) [MIT-114-03-F-D-K](#) [55323-1519](#) [DF33-2P-3.3DSA\(24\)](#) [YFT-20-05-H-03-SB-K](#) [503308-3040](#) [026-6203-PDB](#) [027-6203-PDB](#) [069159702701000](#) [10123981-102LF](#) [101A10019X](#) [55650-0588-C](#) [68684-306](#) [75140-7012](#) [589159005003045](#) [194261-1](#) [FCN-268F024-G0D](#) [10124054-515LF](#) [68685-603](#) [8-1616154-3](#) [MIS-019-01-F-D](#) [589159005002045](#) [541371078](#) [IL-WX-10PB-HF-B-E1000E](#) [FCN-268M024-G/3D](#) [20021832-06016C1LF](#) [KX15-20KLDL-E1000E](#) [MDF7-16DP-2.54DSA\(55\)](#) [AXE810124](#) [FCN-214J100-G/0](#) [FCN-230C068-E/S](#) [AXE812124](#)