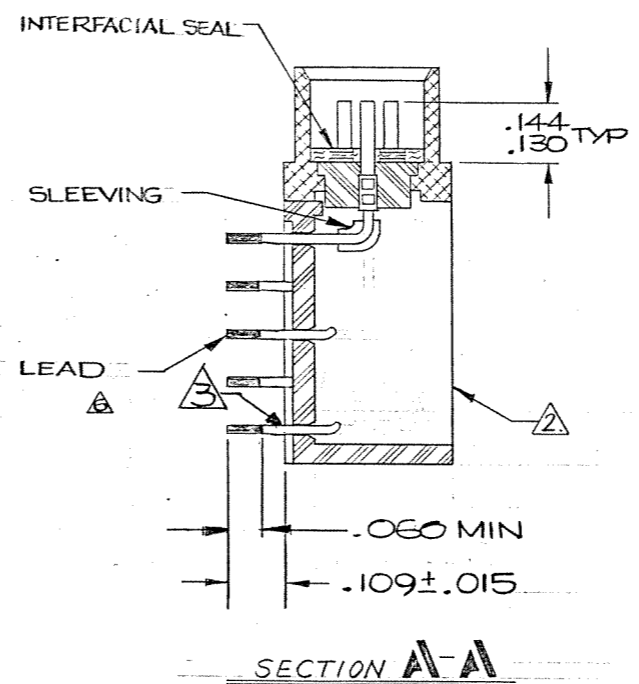
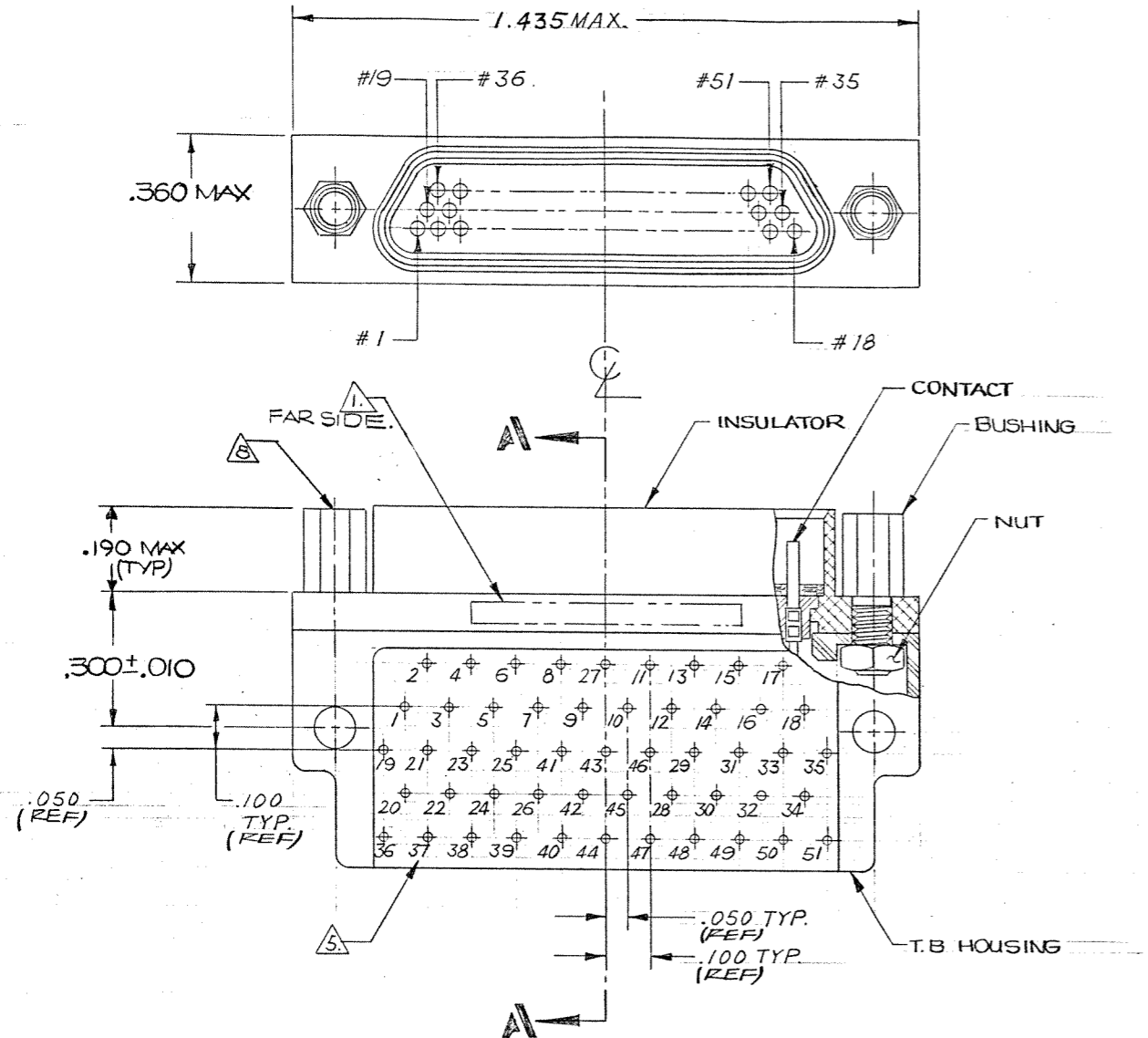


REVISIONS					
ZONE	LTR	ECN	DESCRIPTION	DATE	APPROVED
A		28678	RELEASE FOR PRODUCTION	8-16-84	[Signature]
B		32176	SUBSTITUTE ITEM NOS FOR DESCP'S ADD NOTE 6 & NOTE 2 WAS: (ITEM 1 THRU 17)	6/19/89	[Signature]
C		34350	GENERAL UPDATE SEE ECN	10/16/92	[Signature]
D		34422	GENERAL UPDATE SEE ECN	11/20/92	[Signature]
C-B		36570	.190 MAX TYP & NOTE 8 ADDED	10/17/96 M2	[Signature]
F		37263	MARKING UPDATE, SEE ECN	8/25/97 M2	[Signature]

CAUTION
 UNINSULATED WIRES USED IN THIS ASSEMBLY.
 MUST PASS 600 VOLT "HI-POT" AFTER POTTING



- NOTES: UNLESS OTHERWISE SPECIFIED.
- 1. MARKING: MARK OPPOSITE SIDE PER MEP 203-12 (SEE PART 10), DATE CODE
 - 2. ASSEMBLE ALL ITEMS EXCEPT INTERFACIAL SEAL & DUST COVER, THEN FILL WITH EPOXY AROUND HEX NUT & T.B. BLOCK BACKPOTTING AS SHOWN. USE HYSOL #4215 & #3561.
 - 3. TERMINAL WIRES TO BE SOLDER COATED. SOLDER TO BE QX-S-571, TYPE Sn60 or Sn63 FLUX PER MIL-F-14256, TYPE A.
 - 4. CRIMP LEADS INTO CONTACTS PER MEP 302-05.
 - 5. TERMINAL IDENT NOS AS SHOWN (VIEWED FROM THE MOUNTING SURFACE) DO NOT ACTUALLY APPEAR ON THE PART (FOR IDENTIFICATION ONLY).
 - 6. SLEEVING AS REQUIRED.
 - 7. JACKPOST (2) MUST BE TIGHTENED TO APPROXIMATE 40 IN/OZ.

TYCO CUSTOMER DWG 3-1532133-8

QTY REQD	CODE IDENT	PART OR IDENTIFYING NO.	NOMENCLATURE OR DESCRIPTION
PARTS LIST			
UNLESS OTHERWISE SPECIFIED DIMENSIONS ARE IN INCHES TOLERANCES ARE: FRACTIONS DECIMALS ANGLES ± .XX ± ° .XXX ± .005		CONTRACT NO.	MALCO A MICRODOT COMPANY, INC. 306 PASADENA AVE., SO. PASADENA, CALIF. 91030
MATERIAL		APPROVALS DATE	
FINISH		DRAWN <i>YANG CHU</i> 8/15/84	METAL SHELL 90° LD-PROFILE CONNECTOR (MIL-C-83513) MCK-**-P-51 S.R.TI (WITH JACKPOST) PROD. CODE 845 CODE M
NEXT ASSY USED ON		CHECKED <i>[Signature]</i> 1/11/84	
APPLICATION		PR. EX. <i>[Signature]</i> 8-13-84	
DO NOT SCALE DRAWING		APPD. <i>[Signature]</i>	SIZE CODE IDENT NO. DRAWING NO. D 98278 094-4706-7000
SCALE		These drawings and specifications are the property of Microdot Inc. and shall not be divulged, reproduced or copied, or used as the basis for the manufacture or sale of any article without written permission of Microdot Inc.	
SHEET / OF /			

X-ON Electronics

Largest Supplier of Electrical and Electronic Components

Click to view similar products for [D-Sub Micro-D Connectors](#) category:

Click to view products by [TE Connectivity](#) manufacturer:

Other Similar products are found below :

[M243082311F](#) [M2430834F](#) [M24308/4-6F](#) [65-1920-15](#) [M83513/01-HN](#) [M83513/03-A10N](#) [M83513/03-B14C](#) [M83513/03-D09C](#) [M83513/03-D11N](#) [M83513/03-G02N](#) [M83513/03-G05N](#) [M83513/03-G08C](#) [M83513/03-G09N](#) [M83513/03-G12N](#) [M83513/03-H13N](#) [M83513/04-E15N](#) [M83513/04-G04C](#) [M83513/10-E01NP](#) [M83513/13-B01NP](#) [M83513/13-C01NN](#) [M83513/16-A01CP](#) [M83513/22-D01NP](#) [M83513/25-B01NP](#) [6R2004A30F015](#) [6R4006A28A120](#) [703006A13F060](#) [704002A03F200](#) [705001A13F120](#) [7-1532020-5](#) [748567-1-P](#) [MDB1-31SH003](#) [MDM-15PBS-L58](#) [MDM-15PCBRM7T](#) [MDM-15PH003B-A174](#) [75-068624-59S](#) [MDM-15PH034B](#) [MDM-15SH001L](#) [MDM-15SH004B](#) [MDM-21PH003K](#) [MDM-25PH003B-A174](#) [MDM-25PHW01F-A174](#) [MDM-37PH006L-A174](#) [MDM-37PH048M5-A174](#) [MDM-37SCBRP-A174](#) [MDM-51PBS-L56](#) [MDM-51PSF](#) [MDM-51SH003M7](#) [MDM-51SSM7-A174](#) [MDM-9PBSP-L58](#) [MDM-9PH003M7](#)